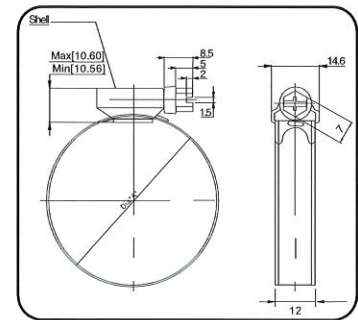


12mm bandwidth

Item no. W1	Item no. W2	Item no. W4	Item no. W5	range (mm)	range (inch)	pcs / bag	pcs / carton	carton size cm
01A120812	01B120812	01D120812	01E120812	8-12	0.31"-0.47"	100	1000	32x27x14
01A121016	01B121016	01D121016	01E121016	10-16	3/8"-5/8"	100	1000	32x27x14
01A121220	01B121220	01D121220	01E121220	12-20	0.47"-3/4"	100	1000	38x27x17
01A121625	01B121625	01D9121625	01E121625	16-25	5/8"-1	100	1000	38x27x19
01A122032	01B9122032	01D122032	01E122032	20-32	25/32"-11/4"	50	500	38x27x17
01A122540	01B122540	01D122540	01E122540	25-40	0.98"-1.57"	50	500	38x27x21
01A123250	01B123250	01D123250	01E123250	32-50	11/4"-2"	50	500	38x27x29
01A124060	01B124060	01D124060	01E124060	40-60	19/16"-2.36"	50	500	41x32. 5x32
01A125070	01B125070	01D125070	01E125070	50-70	2"-23/4"	10	500	41x32. 5x32
01A126080	01B126080	01D126080	01E126080	60-80	2.36"-3.15"	10	250	38x27x24
01A127090	01B127090	01D127090	01E127090	70-90	23/4"-3.54"	10	250	38x27x29
01A1280100	01B1280100	01D1280100	01E1280100	90-100	3.15"-3.94"	10	250	38x27x34
01A1290110	01B1290110	01D1290110	01E1290110	90-110	3.54"-4.33"	10	250	41x32. 5x32
01A12100120	01B12100120	01D12100120	01E12100120	100-120	3.94"-4.72"	10	250	41x32. 5x32
01A12110130	01B9110130	01D1210130	01E12110130	110-130	4.33"-5.12"	10	200	40x37x30
01A912120140	01B12120140	01D12120140	01E12120140	120-140	4.72"-5.51"	10	200	41x32. 5x32
01A12130150	01B12130150	01D12130150	01E12130150	130-150	5.12"-5.91"	10	200	41x37x35
01A12140160	01B12140160	01D12140160	01E12140160	140-160	5.51"-6.3"	10	100	41x37x35
01A12150170	01B12150170	01D12150170	01E12150170	150-170	5.91"-6.69"	-	100	38x27x34
01A12160180	01B12160180	01D12160180	01E12160180	160-180	6.3"-7.09"	-	100	41x32. 5x32
01A12170190	01B912170190	01D12170190	01E12170190	170-190	6.69"-7.48"	-	50	40x37x30
01A12180200	01B912180200	01D12180200	01E9180200	180-200	7.09"-7.87"	-	50	38x27x21
01A12190210	01B12190210	01D12190210	01E12190210	190-210	7.48"-8.27"	-	50	38x27x24
01A12200220	01B12200220	01D12200220	01E12200220	200-220	7.87"-8.66"	-	50	38x27x24
01A12210230	01B12210230	01D12210230	01E12210230	210-230	8.27"-9.06"	-	-	38x27x29



	Free Torque Nm	Break Torque Nm
12mm/W1	1	5
12mm/W2	1	6.5
12mm/W4	1	6.5
12mm/W5	1	6.5

Instruction:

- W1—Galvanized steel
- W2—The screw is galvanized steel, others are AISI 300 series stainless steel
- W4—ALL AISI 300 series stainless steel
- W5—ALL AISI 316 series stainless steel