

# ABA 12 mm Original, Aluzink S20 and Stainless S40(W4)



S20

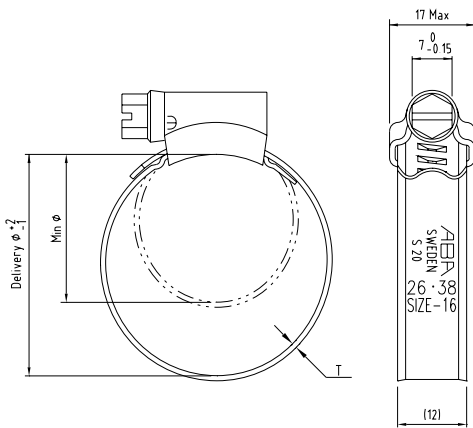


S40

ABA Original clamps feature an extra strong one-piece pressed housing, rolled-up band edges and a smooth band underside that protects the hose. For added corrosion resistance the band in the 12 mm Standard is made of Aluzink which gives three times the protection offered by conventional galvanized steel. ABA Original – the trouble-free clamp with high tightening force and high breaking torque.

**ABA Original Standard-S20:** Screw: Electro zinc plated. Band: Aluzink. Housing: Painted.

**ABA Original Stainless-S40(W4):** All parts in SS 2333/AISI 304 Stainless Steel. For dimensions



Hose size	Minimum Ø	Supplied Ø	Standard T	Stainless T	Rec. tightening torque Nm
15-24	15	25	0.8	0.8	4-5
19-28	19	29			
22-32	22	33			
26-38	26	39	1.0		5-6
32-44	32	45			
38-50	38	51			
44-56	44	57			
50-65	50	66			
58-75	58	76			
68-85	68	86			
77-95	77	96			
87-112	87	113			
106-138	106	139			
132-165	132	166			
150-180	150	181			
175-205	175	206			
200-231	200	232			
226-256	226	257			
251-282	251	283			
277-307	277	308			

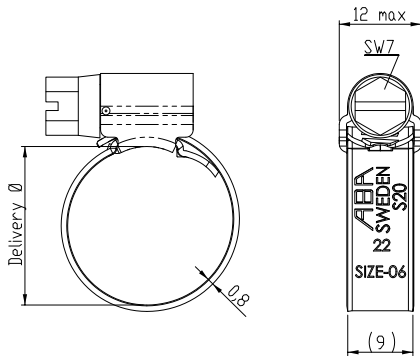
Larger sizes available in Torro

# ABA Nova S20, Stainless S40(W4) and Acid Resistant S50(W5)



The highly versatile ABA Nova clamp is an ideal choice for smaller dimensions of hoses. The base of the housing is cut back and the internal tolerances are very close: a few hundredths of a millimetre. Available for a wide range of hose dimensions, it retains its roundness and sealing qualities even on the smallest of hoses.

**ABA Nova Standard–S20(W1):** Screw: Electro zinc plated. Band: Galfan. Housing: Painted.  
**ABA Nova Stainless–S40(W4):** All parts are made of SS 2333/AISI 304 stainless steel.  
**ABA Nova Acid Resistant–S50(W5):** All parts are made of SS 2343/AISI 316 stainless steel.



Standard			
Hose size	Minimum Ø	Supplied Ø	Rec. tightening torque Nm
8–14	8	15	2.5–3.5
11–17	10	17	
13–20	12	22	3–4
15–24	15	25	
19–28	16	28	4–4,5
22–32	20	32	
26–38	25	40	
32–44	30	45	
38–50	32	51	
44–56	44	56	
50–65	50	65	
58–75	58	75	
68–85	68	85	

Stainless S40(W4)			
Hose size	Minimum Ø	Supplied Ø	Rec. tightening torque Nm
8–14	8	15	2.5–3.5
11–17	10	17	
13–20	12	22	3–4
15–24	15	25	
19–28	16	28	4–4,5
22–32	20	32	
26–38	25	40	
32–44	30	45	

Acid resistant S50(W5)			
Hose size	Minimum Ø	Supplied Ø	Rec. tightening torque Nm
8–14	8	15	2.5–3.5
11–17	10	17	
13–20	12	22	

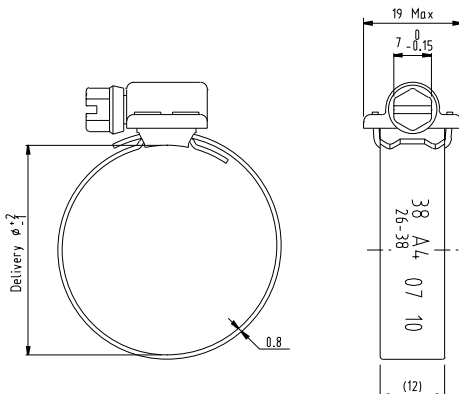
# ABA Ultra 12 mm Acid Resistant – A High Torque Clamp S50 (W5)



S50

The acid resistant clamp is produced from SS 2343/AISI 316 high tensile strength steel. It has one of the best clamping force ratings in the world thanks to its special thread design and manufacturing methods. Whenever required, this clamp has a very high clamping force and premium corrosion resistance. Every clamp is date stamped for traceability. This clamp has received high praise from US Powerboats and is used worldwide by quality marine equipment manufacturers, amongst others.

**ABA Ultra Acid Resistant–S50(W5):** All parts are made of SS 2343/AISI 316 stainless steel, in accordance with SS 2298.



Hose size	Minimum Ø	Supplied Ø	Rec. tightening torque Nm
15–24	15	25	2.5–3.5
19–28	19	29	
22–32	22	33	
26–38	26	39	3.5–4.5
32–44	32	45	
38–50	38	51	5–6
44–56	44	57	
50–65	50	66	
58–75	58	76	
68–85	68	86	
77–95	77	96	
87–112	87	113	
104–138	104	139	
130–165	130	166	
150–180	150	181	
175–205	175	206	
200–231	200	232	
226–256	226	257	
251–282	251	283	
277–307	277	308	