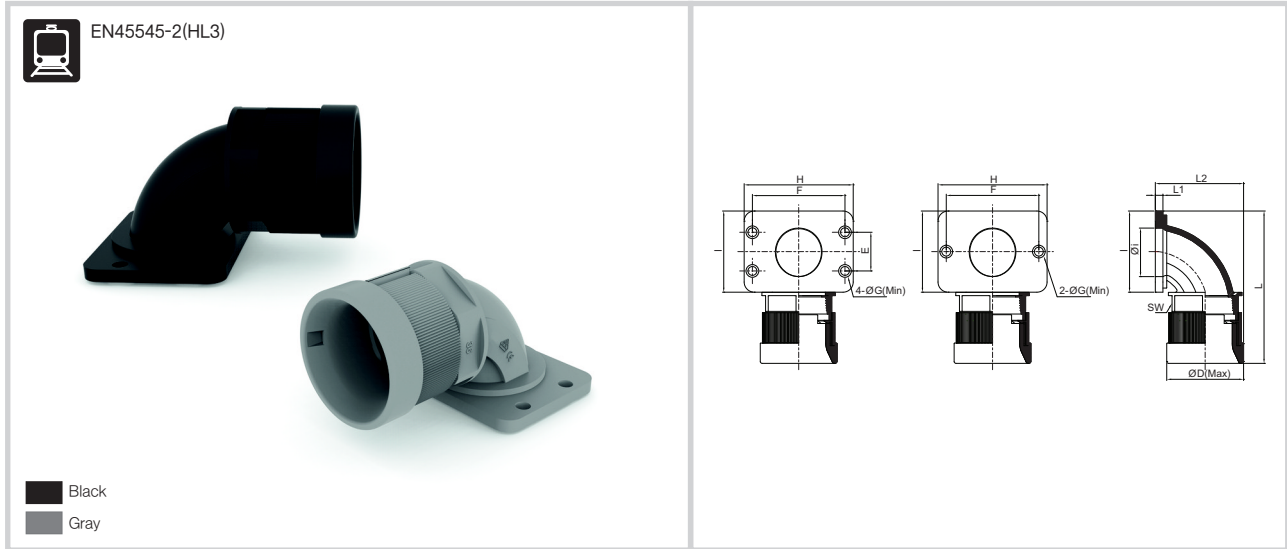


PWOC IP67



- Material : High Quality Polyamide 6
- Degrees of Protection : IP 67 (EN 60529)
- The max. Instantaneous Temperature : -40°C to +105°C
- Short Term : up to +150° C
- Self-Extinguishing : UL94-HB / Free of Halogen Phosphorous and cadmium
- Color : Black & Gray
- Application : Machine tool, Shipbuilding, Tramway, Industrial / Automatic Machinery, Printing Machine etc. Control box with connector.

» Product size



Black	Gray	Tube Size	E	F	G	H	I	L1	L2	L	Øi	ØD	SW
PWOC-12B	PWOC-12G	12	-	36.5	5.5	45.0	32.0	5.0	38.9	64.1	15.0	27.6	22.8
PWOC-16B	PWOC-16G	16	-	36.5	5.5	44.0	32.0	5.0	44.6	69.0	17.5	33.0	28.0
PWOC-22B	PWOC-22G	22	30.5	53.5	5.5	65.0	45.0	5.0	53.6	87.2	22.0	43.0	37.5
PWOC-28B	PWOC-28G	28	31.0	55.0	6.0	65.0	45.0	6.0	63.5	100.9	27.0	48.8	43.0
PWOC-36B	PWOC-36G	36	30.5	73.0	7.0	86.0	64.0	6.0	69.6	120.1	36.0	60.6	52.2
PWOC-48B	PWOC-48G	48	30.5	73.0	7.0	86.0	78.0	6.0	84.9	139.4	50.0	71.8	64.0

(Dimensions in mm)