

Specification

Model No.		Max. Stroke (mm)	Main Dimensions (mm)										Retainer Dimensions (mm)			
Standard	Antirust		H	T	L	n*p	W1	W2	L1	L2	N	ØD	L3	R	P1	P2
GRD01-20	GRD01-20-S	13	17	4	20	1*10	13.4	7.8	5	1.3	10	Ø1.5	15.8	5	1.9	3
GRD01-30	GRD01-30-S	21			30	2*10							21.8	7		
GRD01-40	GRD01-40-S	29			40	3*10							27.8	9		
GRD01-50	GRD01-50-S	37			50	4*10							33.8	11		
GRD01-60	GRD01-60-S	45			60	5*10							39.8	13		
GRD01-70	GRD01-70-S	53			70	6*10							45.8	15		
GRD01-80	GRD01-80-S	61			80	7*10							51.8	17		
GRD02-30	GRD02-30-S	24	24	6	30	1*15	19	11	7.5	1.5	15	Ø2	21.6	5	2.8	4
GRD02-45	GRD02-45-S	30			45	2*15							33.6	8		
GRD02-60	GRD02-60-S	44			60	3*15							41.6	10		
GRD02-75	GRD02-75-S	58			75	4*15							49.6	12		
GRD02-90	GRD02-90-S	72			90	5*15							57.6	14		
GRD02-105	GRD02-105-S	86			105	6*15							65.6	16		
GRD02-120	GRD02-120-S	100			120	7*15							73.6	18		
GRD02-135	GRD02-135-S	106			135	8*15							85.6	21		
GRD02-150	GRD02-150-S	120			150	9*15							93.6	23		
GRD02-165	GRD02-165-S	134			165	10*15							101.6	25		
GRD02-180	GRD02-180-S	148			180	11*15							109.6	27		

Ordering Example :	GR	D	01	40	S	P
	Ball	D rail	Roller dia.	Rail length	Antirust	Precision Level

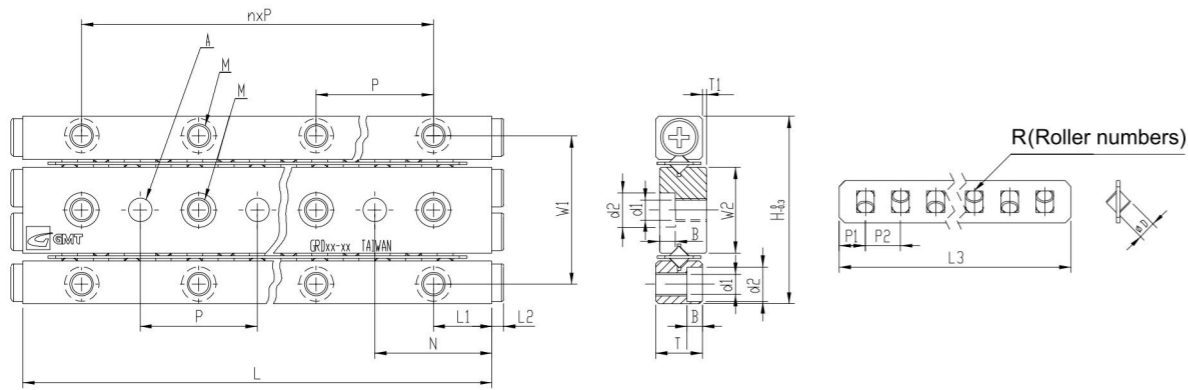


Material Specification

Material Component Model No.	Rail	Roller	Retainer
GRD	SUJ2		SUS304
GRD - S	SUS440C +Ni	SUS440C	

GRD-S No Surface finished to V-groove surface of the rail.

Mounting Dimensions (mm)						Load Per Roller			Weight (g) / 2 Pieces	
T1	M	d1	d2	A	B	Basic Dynamic Load Rating	Basic Static Load Rating	Allowable Load	Standard	Antirust
0.5	M2	1.65	3	2 <sup>+0.010</sup> <sub>0</sub>	1.4	125N/1pcs	144N/1pcs	48N/1pcs	9	9
									13	13
									17	18
									20	22
									24	26
									29	31
									33	35
0.5	M3	2.55	4.4	3 <sup>+0.010</sup> <sub>0</sub>	2	293N/1pcs	292N/1pcs	97N/1pcs	27	29
									40	43
									53	57
									66	70
									78	84
									91	98
									104	111
									117	125
									130	139
									142	153
									155	166



Specification

Model No.		Max. Stroke (mm)	Main Dimensions (mm)										Retainer Dimensions (mm)				
Standard	Antirust		H	T	L	n*p	W1	W2	L1	L2	N	ØD	L3	R	P1	P2	
GRD03-50	GRD03-50-S	34	36	8	50	1*25	29	16.6	12.5	3	25	Ø3	36.4	7	3.2	5	
GRD03-75	GRD03-75-S	54			75	2*25							51.4	10			
GRD03-100	GRD03-100-S	74			100	3*25							66.4	13			
GRD03-125	GRD03-125-S	104			125	4*25							76.4	15			
GRD03-150	GRD03-150-S	124			150	5*25							91.4	18			
GRD03-175	GRD03-175-S	144			175	6*25							106.4	21			
GRD03-200	GRD03-200-S	164			200	7*25							121.4	24			
GRD03-225	GRD03-225-S	184			225	8*25							136.4	27			
GRD03-250	GRD03-250-S	204			250	9*25							151.4	30			
GRD03-275	GRD03-275-S	224			275	10*25							166.4	33			
GRD03-300	GRD03-300-S	244	300	11*25	181.4	36											
GRD04-80	GRD04-80-S	54	44	11	80	1*40	35	20	20	2	40	Ø4	57.6	8	4.3	7	
GRD04-120	GRD04-120-S	92			120	2*40							78.6	11			
GRD04-160	GRD04-160-S	130			160	3*40							99.6	14			
GRD04-200	GRD04-200-S	154			200	4*40							127.6	18			
GRD04-240	GRD04-240-S	192			240	5*40							148.6	21			
GRD04-280	GRD04-280-S	230			280	6*40							169.6	24			
GRD04-320	GRD04-320-S	254			320	7*40							197.6	28			
GRD04-360	GRD04-360-S	292			360	8*40							218.6	31			
GRD04-400	GRD04-400-S	330			400	9*40							239.6	34			
GRD04-440	GRD04-440-S	354			440	10*40							267.6	38			
GRD04-480	GRD04-480-S	392	480	11*40	288.6	41											

Ordering Example :	GR	D	03	75	S	P
	Ball	D rail	Roller dia.	Rail length	Antirust	Precision Level



Material Specification

Material Component / Model No.	Rail	Roller	Retainer
GRD	SUJ2		SUS304
GRD - S	SUS440C +Ni	SUS440C	

GRD-S No Surface finished to V-groove surface of the rail.

Mounting Dimensions (mm)						Load Per Roller			Weight (g) / 2 Pieces	
T1	M	d1	d2	A	B	Basic Dynamic Load Rating	Basic Static Load Rating	Allowable Load	Standard	Antirust
0.5	M4	3.3	6	4 <sup>+0.012</sup> <sub>0</sub>	3.1	638N/1pcs	761N/1pcs	254N/1pcs	94	101
									139	148
									183	196
									228	244
									273	292
									317	340
									362	387
									406	435
									451	483
									496	531
540	579									
0.5	M5	4.3	7.5	5 <sup>+0.012</sup> <sub>0</sub>	4.1	1230N/1pcs	1170N/1pcs	390N/1pcs	248	265
									366	392
									484	518
									602	645
									722	773
									840	900
									959	1028
									1079	1156
									1197	1283
									1316	1411
1434	1538									