

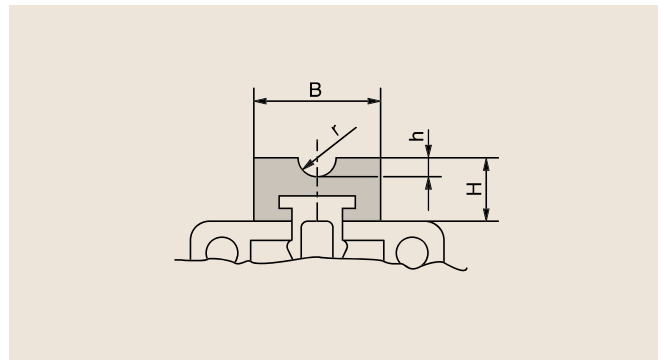
Guides for round belts

TYPE RR



Belt type Ø	B	H	h	r	Article no.	Availability
5.0	20	10	3	3	231 510 027	●
6.3	20	10	4	4	231 510 028	●
8.0	20	12	5	5	231 510 029	●
9.5	25	15	6	6	231 510 030	●
12.5	28	20	8	7	231 510 031	●
15.0	33	25	10	9	231 510 032	●
18.0	38	25	12	10	231 510 033	●

● Stocked ○ Available within 10 days Dimensions in mm



Guides for V-belts as per DIN 2215

TYPE KR



b x h	B	b	H	h	Article no.	Availability
8 x 5	20	6.0	10	3.5	231 511 005	●
10 x 6	20	7.2	12	4.5	231 511 006	○
13 x 8	20	9.2	15	6.0	231 511 007	○
17 x 11	30	11.5	15	8.0	231 511 008	●
20 x 12.5	30	13.5	20	9.0	231 511 009	●
22 x 14	35	14.5	20	10.5	231 511 010	●
25 x 16	40	16.5	25	12.0	231 511 011	●
32 x 20	50	21.0	30	16.0	231 511 012	●
40	60	26.0	35	21.0	231 511 013	●

● Stocked ○ Available within 10 days Dimensions in mm

