

D161



PA6
+GF

UL94
HB



TAPERED HANDWHEEL WITH SMOOTH OR THREADED HOLE

Material:

Reinforced polyamide.
Oils and greases resistant.

Surface:

Satin.

Colour:

Black (RAL 9011).

Main Insert:

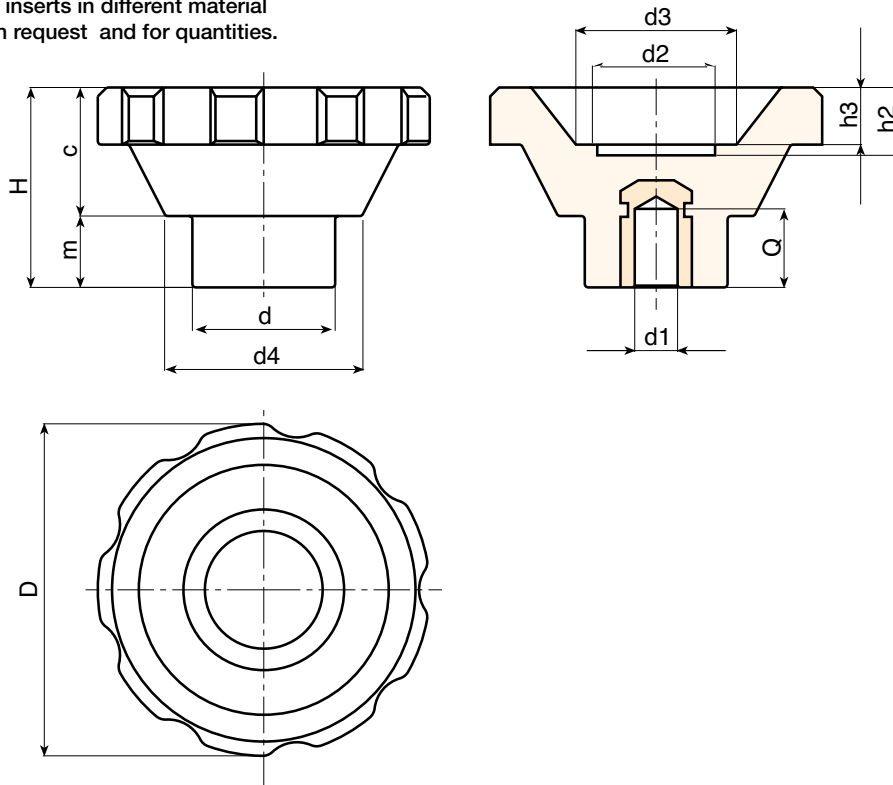
Version TD: Zinc plated steel insert with smooth through-hole (H10 tolerance).

Version TM: Zinc plated steel insert with threaded through-hole (6H tolerance).

For fixing system, or execution of keyway or square holes, please refer to the technical notes attached to the catalogue.

SPECIAL REQUEST:

- It's possible to supply the inserts with d1 bore by customer design, on request and for quantities.
- It's possible to supply the inserts in different material and treatment-finishes, on request and for quantities.



Version TD with smooth blind hole.

Art.	D	H	d	c	m	d2	d3	d4	h2	h3	Dm	d1 H10	Q	g
D16195.TD0501	93	56,5	40	36,5	20	32	45	55,5	20	17	22	5	27	340

Attention: bore d1 (H10 tolerance) could be produced by request, with 50 pieces minimum.

Dm = It's possible to increase the hole, by boring, until Dm (enlarge).

Version TM with threaded blind hole.

Art.	D	H	d	c	m	d2	d3	d4	h2	h3	d1 6H	Q	g
D16195.TM1201	93	56,5	40	36,5	20	32	45	55,5	20	17	M12	25	338

Attention: bore d1 (6H tolerance) could be produced by request, with 50 pieces minimum.

**D - CONTROL
HANDWHEELS**

ver. DUK.11-0914



BOTECA

D - 18

Presumable presence in the stock in %

(☺) 90% (☹) 40% (⊖) 5% (⊗)

www.boteco.it - © All right reserved - BOTECA®
Any unauthorized reproduction is strictly forbidden