

# CRANK HANDLE WITH SMOOTH INSERT AND REVOLVING AND FOLDING HANDLE

## E217



**Material:** Reinforced polyamide. Oils and greases resistant.

**Surface:** Satin.

**Colour:** Black (RAL 9011).

**Central Cap:** Grey polyamide RAL 7035 (cod. 13).

**Alternative Cap Colour:**

- Orange (RAL 2004 cod. 02)
- Red (RAL 3000 cod. 16)
- Blue (RAL 5015 cod. 07)
- Green (RAL 6024 cod. 17)
- Yellow (RAL 1021 cod. 10)
- Black (RAL 9011 cod. 01)

**Main Insert:**

Zinc plated steel insert with smooth through-hole (H10 tolerance).

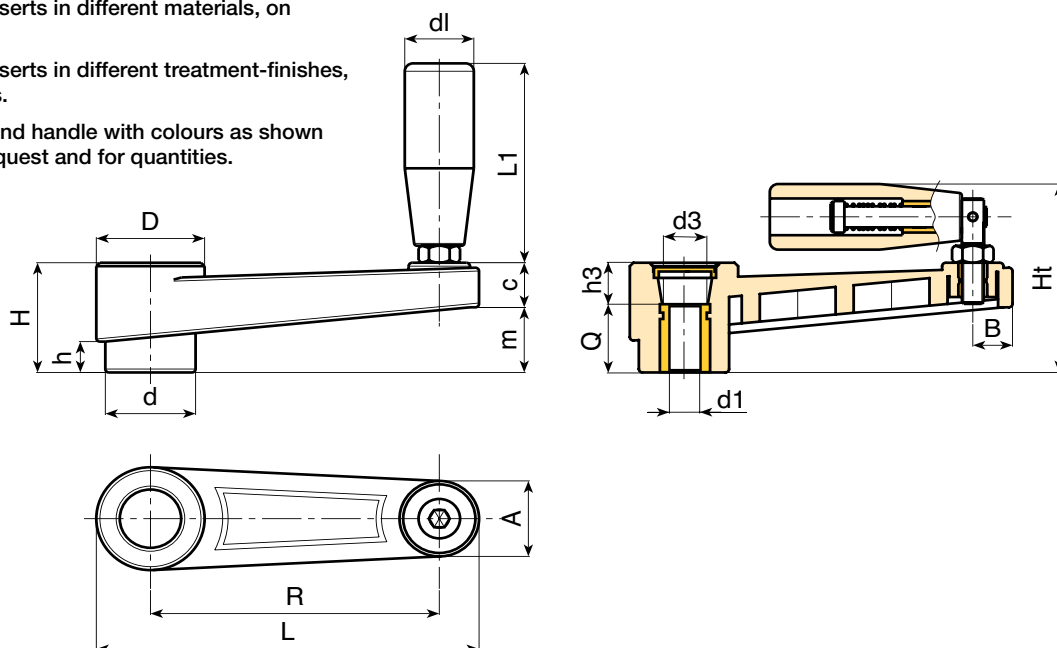
**Side Insert:** Brass right through threaded bush.

**Side Handle:** Revolving and folding handle Art. M136.



**SPECIAL REQUESTS:**

- It is possible to supply the inserts with d1 diameter by customer design, on request and for quantities.
- It is possible to supply the inserts in different materials, on request and for quantities.
- It is possible to supply the inserts in different treatment-finishes, on request and for quantities.
- It is possible to supply arm and handle with colours as shown in the table at pag. 23, on request and for quantities.



Art.	L	R	H	Ht	D	d	m	c	A	B	h	d3	h3	dm	d1 H10	Q	dl	L1	g
● E217065.TP0501	88	65	30	54	27	22	17	13	18	9,5	8	14	10	12	05	20	20	54	105
● E217065.TD1001	88	65	30	54	27	22	17	13	18	9,5	8	14	10	12	10	20	20	54	100
● E217065.TD1201	88	65	30	54	27	22	17	13	18	9,5	8	14	10	12	12	20	20	54	97
● E217080.TP0501	106	80	33	57	30	26	19	13	21,5	11	9	18	9	14	05	24	20	54	115
● E217080.TD1001	106	80	33	57	30	26	19	13	21,5	11	9	18	9	14	10	24	20	54	110
● E217080.TD1201	106	80	33	57	30	26	19	13	21,5	11	9	18	9	14	12	24	20	54	107
● E217110.TD0801	138	110	39	67,5	33	29	25	14	22	12	11	18	11	14	08	28	25	75	156
● E217110.TD1001	138	110	39	67,5	33	29	25	14	22	12	11	18	11	14	10	28	25	75	153
● E217110.TD1201	138	110	39	67,5	33	29	25	14	22	12	11	18	11	14	12	28	25	75	150
● E217140.TD0801	174	140	49	82	41	35	33	16	25,5	13,5	15	22	19	20	05	30	26	89	300
● E217140.TD1201	174	140	49	82	41	35	33	16	25,5	13,5	15	22	19	20	12	30	26	89	245
● E217140.TD1401	174	140	49	82	41	35	33	16	25,5	13,5	15	22	19	20	14	30	26	89	242
● E217140.TD1601	174	140	49	82	41	35	33	16	25,5	13,5	15	22	19	20	16	30	26	89	238
● E217185.TD0801	220	185	55	88	45	40	40	16,5	26,5	14	16,5	28	21	22	08	34	26	97	450
● E217185.TD1201	220	185	55	88	45	40	40	16,5	26,5	14	16,5	28	21	22	12	34	26	97	445

dm = It's possible to increase the hole, by boring, until Dm (enlarge).

Presumable presence in the stock in %

( ) 90% (●) 40% (●) 5% (●)

BOTECO® - © All right reserved - www.boteco.it

Any unauthorized reproduction is strictly forbidden



BOTECO

**E - FIXED AND INDEXED CRANK HANDLES**