

E518

E513 - E517

INDEXED CRANK HANDLE WITH THREADED INSERT AND REVOLVING HANDLE

Material: Reinforced polyamide. Oils and greases resistant.

Surface: Satin.

Colour: Black (RAL 9011).

Main Insert:

Zinc plated steel blind threaded bush.

Side Insert: Brass right through threaded bush.

Spring: Zinc plated steel spring.

Fixing Screw:

Black-oxide treated screw with head for fitting screwdriver.

Side Handle:

E518: Revolving handle Art. M144

E513: Revolving handle Art. M145

E517: Revolving handle Art. M129.

SPECIAL REQUESTS:

- It is possible to supply the inserts in different materials, on request and for quantities.
- It is possible to supply arm and handle with colours as shown in the table at pag. 23, on request and for quantities.

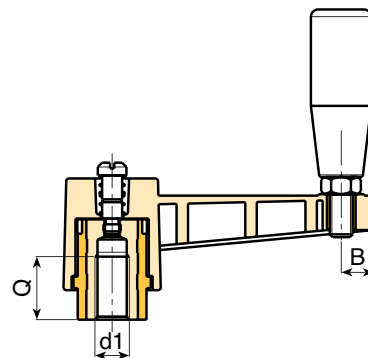
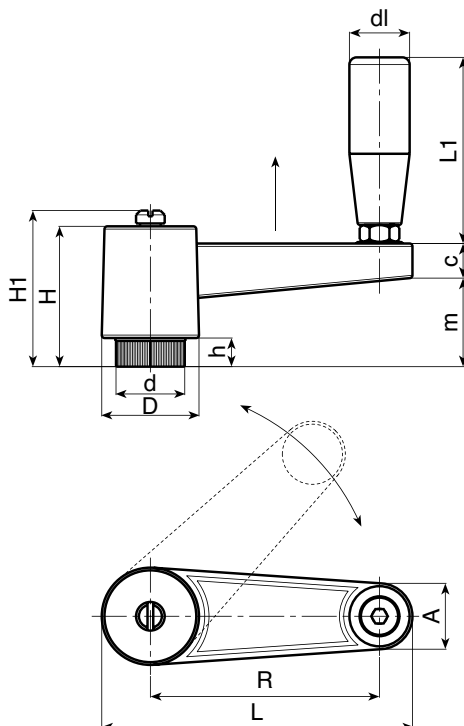
Art. E518



Art. E517



Art. E513



**E - FIXED AND INDEXED
CRANK HANDLES**

ver. EUK.13-0616



BOTECA

Presumable presence in the stock in %

(☞) 90% (●) 40% (●) 5% (●)

www.boteco.it - © All right reserved - BOTECA®
Any unauthorized reproduction is strictly forbidden

INDEXED CRANK HANDLE WITH THREADED INSERT AND REVOLVING HANDLE

E518



PA6
+GF

UL94
HB



	Art.	L	R	H	D	d	m	c	A	B	h	H1	d1 6H	Q	dI	L1	g
●	E518065.TM0801	86	65	46	27	19	29	13	17	9	10	-	M08	18	20	56	94
●	E518065.TM1001	86	65	46	27	19	29	13	17	9	10	-	M10	17	20	56	90
●	E518065.TM1201	86	65	46	27	19	29	13	17	9	10	-	M12	17	20	56	90
●	E518080.TM1201	108	80	50	34	24	32	13	22	11,5	10,5	53	M12	22	21	66	172
●	E518080.TM1401	108	80	50	34	24	32	13	22	11,5	10,5	53	M14	23	21	66	164
●	E518080.TM1601	108	80	50	34	24	32	13	22	11,5	10,5	53	M16	20	21	66	154
●	E518110.TM1201	138	110	50	34	24,5	33	13	22	11,5	11	54	M12	20	21	66	181
●	E518110.TM1401	138	110	50	34	24,5	33	13	22	11,5	11	54	M14	20	21	66	195
●	E518110.TM1601	138	110	50	34	24,5	33	13	22	11,5	11	54	M16	20	21	66	198

INDEXED CRANK HANDLE WITH THREADED INSERT - REVOLVING HANDLE M145 -

E513



PA6
+GF

UL94
HB



	Art.	L	R	H	D	d	m	c	A	B	h	H1	d1 6H	Q	dI	L1	g
●	E513065.TM0801	86	65	46	27	19	29	13	17	9	10	-	M08	18	20	56	96
●	E513065.TM1001	86	65	46	27	19	29	13	17	9	10	-	M10	17	20	56	92
●	E513065.TM1201	86	65	46	27	19	29	13	17	9	10	-	M12	17	20	56	91
●	E513080.TM1201	108	80	50	34	24,5	32	13	22	11,5	10,5	53	M12	22	23	66	177
●	E513080.TM1401	108	80	50	34	24,5	32	13	22	11,5	10,5	53	M14	23	23	66	179
●	E513080.TM1601	108	80	50	34	24,5	32	13	22	11,5	10,5	53	M16	20	23	66	169
●	E513110.TM1201	138	110	50	34	24,5	33	13	22	11,5	11	54	M12	20	23	66	196
●	E513110.TM1401	138	110	50	34	24,5	33	13	22	11,5	11	54	M14	20	23	66	200
●	E513110.TM1601	138	110	50	34	24,5	33	13	22	11,5	11	54	M16	20	23	66	205

INDEXED CRANK HANDLE WITH THREADED INSERT - REVOLVING HANDLE M129 -

E517



PA6
+GF

UL94
HB



	Art.	L	R	H	D	d	m	c	A	B	h	H1	d1 6H	Q	dI	L1	g
●	E517065.TM0801	86	65	46	27	19	29	13	17	9	9,5	-	M08	18	20	52	106
●	E517065.TM1001	86	65	46	27	19	29	13	17	9	9,5	-	M10	17	20	52	102
●	E517065.TM1201	86	65	46	27	19	29	13	17	9	9,5	-	M12	17	20	52	102
●	E517080.TM1201	108	80	50	34	24,5	32	13	22	11,5	10,5	53	M12	22	23	62	187
●	E517080.TM1401	108	80	50	34	24,5	32	13	22	11,5	10,5	53	M14	23	23	62	189
●	E517080.TM1601	108	80	50	34	24,5	32	13	22	11,5	10,5	53	M16	20	23	62	179
●	E517110.TM1201	138	110	50	34	24,5	33	13	22	11,5	11	54	M12	20	23	62	206
●	E517110.TM1401	138	110	50	34	24,5	33	13	22	11,5	11	54	M14	20	23	62	198
●	E517110.TM1601	138	110	50	34	24,5	33	13	22	11,5	11	54	M16	20	23	62	196

Presumable presence in the stock in %

() 90% (●) 40% (●) 5% (●)

BOTECO® - © All right reserved - www.boteco.it

Any unauthorized reproduction is strictly forbidden



BOTECO

E - 17

**E - FIXED AND INDEXED
CRANK HANDLES**

ver. EUK.13-0616