

E519



PA6
+GF

UL94
HB



INDEXED CRANK HANDLE WITH THREADED INSERT AND REVOLVING AND FOLDING HANDLE

Material: Reinforced polyamide. Oils and greases resistant.

Surface: Satin.

Colour: Black (RAL 9011).

Main Insert:

Zinc plated steel blind threaded bush.

Side Insert: Brass right through threaded bush.

Spring: Zinc plated steel spring.

Fixing Screw:

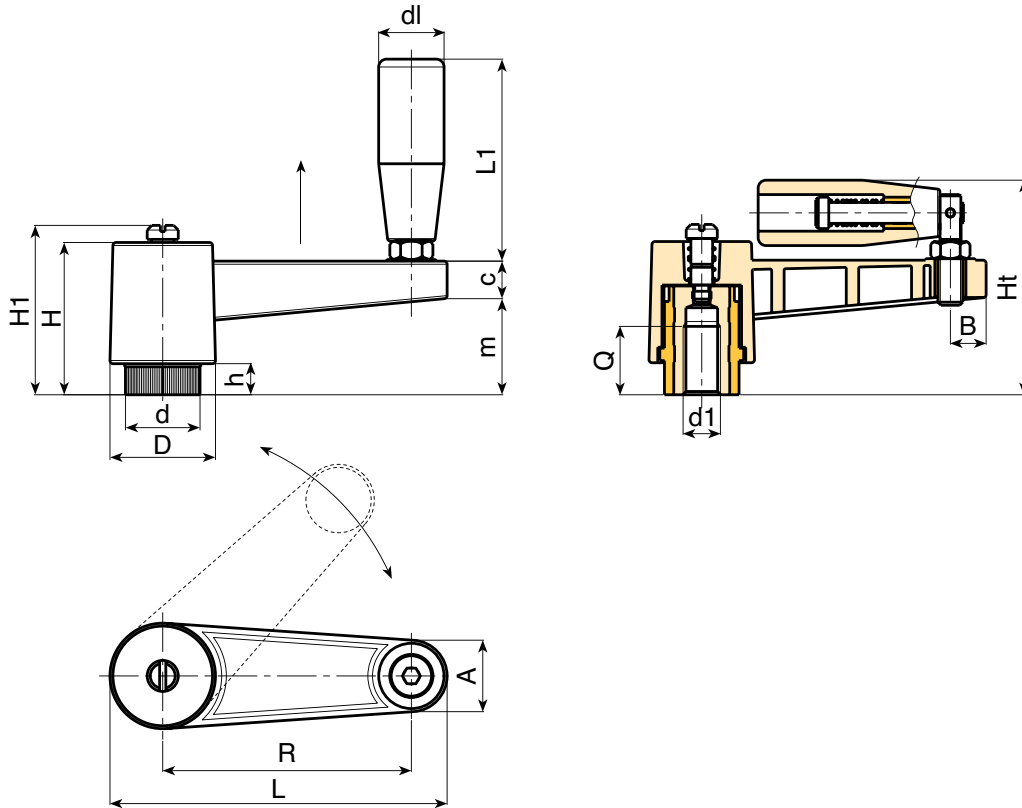
Black-oxyde treated screw with head for fitting screwdriver.

Side Handle:

Revolving and folding handle Art. M136.

SPECIAL REQUESTS:

- It is possible to supply the inserts in different materials, on request and for quantities.
- It is possible to supply arm and handle with colours as shown in the table at pag. 23, on request and for quantities.



Art.	L	R	H	D	d	m	c	A	B	h	H1	Ht	d1 6H	Q	dl	L1	g
● E519065.TM0801	86	65	46	27	19	29	13	17	9	10	-	66,5	M08	18	20	54	104
● E519065.TM1001	86	65	46	27	19	29	13	17	9	10	-	66,5	M10	17	20	54	102
● E519065.TM1201	86	65	46	27	19	29	13	17	9	10	-	66,5	M12	17	20	54	100
● E519080.TM1201	108	80	50	34	24,5	32	13	22	11,5	10,5	53	75	M12	22	25	75	185
● E519080.TM1401	108	80	50	34	24,5	32	13	22	11,5	10,5	53	75	M14	23	25	75	180
● E519080.TM1601	108	80	50	34	24,5	32	13	22	11,5	10,5	53	75	M16	20	25	75	174
● E519110.TM1201	138	110	50	34	24,5	33	13	22	11,5	11	53	75	M12	20	25	75	199
● E519110.TM1401	138	110	50	34	24,5	33	13	22	11,5	11	53	75	M14	20	25	75	220
● E519110.TM1601	138	110	50	34	24,5	33	13	22	11,5	11	53	75	M16	20	25	75	225

**E - FIXED AND INDEXED
CRANK HANDLES**

ver. EUK.13-0616



BOTECA

E - 18

Presumable presence in the stock in %

() 90% (●) 40% (●) 5% (●)

www.boteco.it - © All right reserved - BOTECA®

Any unauthorized reproduction is strictly forbidden