



AGRO POWER

Application guide



Edition 1/2013

HIGH-TECH MACHINES REQUIRE HIGH-TECH DRIVE TECHNOLOGY

The company OPTIBELT has been manufacturing drive belts in the most diverse designs since 1948 – based on over one hundred years of experience in rubber processing. Due to constant investments in material research and production technology as well as to the increasing knowledge about the basic conditions which are linked to the various application areas, the performance limits of machines have been shifted via the advancement of the belts to the high-tech drive elements of today.

OPTIBELT AGRO POWER Quality belts made by OPTIBELT

Bigger, faster, further – extraordinary top performances have always fascinated people in all areas of technology. Again and again, engineers, scientists and researchers are going beyond the limits of feasibility.

However, what is it that drives us to develop something unique?

Why do we always want to be one step ahead of competition?

Our motivation lies in passion and precision. Brand-name products by OPTIBELT are an active investment protection for you.

As our drive belts stay invisible in your products, we add what is often missing elsewhere: responsibility and quality.

Day by day, we set examples with our top products, the OPTIBELT AGRO POWER series, and make sure that the best solution is implemented for every application. Everywhere around the world.

Passion
meets
precision



HOW WE GET OUR DRIVE

OPTIBELT is characterised by this passion for technology.

Every employee adds her/his special knowledge, enthusiasm, visions and initiatives for technological advance on the highest level. That you can be sure of!

No machines without drive technology. If you imagine the modern world without drive technology, there would not be much left operating. Without drive technology machines would be unthinkable. Drive technology makes sure that the primary power of an engine is transformed for diverse working processes and thus made usable. Here, it is most important that the power of the engine is adapted to the process with help of the functional elements.

First and foremost, the belts are the central and most efficient element of it all. They stretch almost all shaft distances at comparably low costs and low maintenance. And they achieve this without lubrication or guidance elements.

Thus, drive technology with belts is far superior to roller chain drives or spur wheel sections. The diverse application areas, their adaptability and economy have made belt drives become an essential part of mechanical engineering in all sectors.

HOW WE FOSTER OUR COMPANY VALUES

Internationally, OPTIBELT is highly estimated and represents excellent brand quality – made in Germany.

This rating is not least the result of our believe, as a family-run company, in our roots in Höxter and thus, in the location Germany.

In addition to that, the company history of OPTIBELT is closely linked with groundbreaking technical developments: from industrialisation to the automated world.

OPTIBELT has faced each of these milestones with clear sight and pioneer spirit.

This interaction of tradition and innovativeness characterises the key values of our company. For over 140 years now.

We are keeping our company philosophy even as a modern company: in our international distribution companies as well as in our production and service companies. Here, the training and further education is the key factor for the consistent quality that you can always expect from our products. Your advantage: We exceed the standards of our competitors by far and meet requirements such as just-in-time production, on-stock availability, customer proximity, support and flexibility with ease and commitment.

Because your drive drives us!



JOHN DEERE

330

1	REEL DRIVE VARIABLE SPEED	Z20459	1	1003583	4014486459029
2	STRAW ELEVATOR DRIVE	Z20460	1	1000697	4014486470789
3	REEL DRIVE	Z20562	1	1000753	4014486471526
4	HYDRAULIC PUMP DRIVE	Z21171	1	1003371	4014486461190
4	HYDRAULIC PUMP DRIVE	Z21254	1	1003372	4014486461244
4	HYDRAULIC PUMP DRIVE	Z23752	1	1000095	4014486460933
5	UNLOADING SYSTEM	Z21398	1	1000561	4014486468601
5	UNLOADING SYSTEM	Z21400	1	1003496	4014486468649
6	THRESHING DRUM VARIATOR DRIVE	Z21401	1	No AP	
6	THRESHING DRUM VARIATOR DRIVE	Z21402	1	No AP	
7	SICKLE KNIFE DRIVE	Z23693	1	1000695	4014486470765
9	FAN DRIVE VARIABLE SPEED	Z20459	1	1003583	4014486459029
10	FAN DRIVE	Z20703	1	1000679	4014486470529
11	CYLINDER DRIVE	Z20823	1	1003587	4014486460230
12	ROTARY SCREEN - ELEVATOR	Z20743	1	1003505	4014486469196

430

1	REEL DRIVE VARIABLE SPEED	Z20459	1	1003583	4014486459029
2	STRAW ELEVATOR DRIVE	Z20460	1	1000697	4014486470789
3	REEL DRIVE	Z20562	1	1000753	4014486471526
4	HYDRAULIC PUMP DRIVE	Z21171	1	1003371	4014486461190
4	HYDRAULIC PUMP DRIVE	Z21254	1	1003372	4014486461244
4	HYDRAULIC PUMP DRIVE	Z23752	1	1000095	4014486460933
5	UNLOADING SYSTEM	Z21398	1	1000561	4014486468601
5	UNLOADING SYSTEM	Z21400	1	1003496	4014486468649
6	THRESHING DRUM VARIATOR DRIVE	Z21401	1	No AP	
6	THRESHING DRUM VARIATOR DRIVE	Z21402	1	No AP	
7	SICKLE KNIFE DRIVE	Z23693	1	1000695	4014486470765
9	FAN DRIVE VARIABLE SPEED	Z20459	1	1003583	4014486459029
10	FAN DRIVE	Z20703	1	1000679	4014486470529
11	CYLINDER DRIVE	Z20823	1	1003587	4014486460230
12	ROTARY SCREEN - ELEVATOR	Z20743	1	1003505	4014486469196

530

1	REEL DRIVE VARIABLE SPEED	Z20459	1	1003583	4014486459029
2	REEL DRIVE	Z20562	1	1000753	4014486471526
3	HYDRAULIC PUMP DRIVE	Z21171	1	1003371	4014486461190
3	HYDRAULIC PUMP DRIVE	Z21254	1	1003372	4014486461244
4	UNLOADING SYSTEM	Z21398	1	1000561	4014486468601
4	UNLOADING SYSTEM	Z21400	1	1003496	4014486468649
5	THRESHING DRUM VARIATOR DRIVE	Z21403	1	No AP	
6	SICKLE KNIFE DRIVE	Z21500	1	1001103	4014486496857
7	STRAW ELEVATOR DRIVE	Z21501	1	1001102	4014486496840
9	FAN DRIVE VARIABLE SPEED	Z20459	1	1003583	4014486459029
10	FAN DRIVE	Z20703	1	1000679	4014486470529
11	ROTARY SCREEN - ELEVATOR	Z20743	1	1003505	4014486469196
12	CYLINDER DRIVE	Z20823	1	1003587	4014486460230
13	HYDRAULIC PUMP DRIVE - ENGINE	Z22208	1	1003720	4014486494891

630

1	REEL DRIVE VARIABLE SPEED	Z20459	1	1003583	4014486459029
2	REEL DRIVE	Z20562	1	1000753	4014486471526
3	HYDRAULIC PUMP DRIVE	Z21171	1	1003371	4014486461190



JOHN DEERE

3	HYDRAULIC PUMP DRIVE	Z21254	1	1003372	4014486461244
4	UNLOADING SYSTEM	Z21398	1	1000561	4014486468601
4	UNLOADING SYSTEM	Z21400	1	1003496	4014486468649
5	THRESHING DRUM VARIATOR DRIVE	Z21403	1	No AP	
6	SICKLE KNIFE DRIVE	Z21500	1	1001103	4014486496857
7	STRAW ELEVATOR DRIVE	Z21501	1	1001102	4014486496840
9	FAN DRIVE VARIABLE SPEED	Z20459	1	1003583	4014486459029
10	FAN DRIVE	Z20703	1	1000679	4014486470529
11	ROTARY SCREEN - ELEVATOR	Z20743	1	1003505	4014486469196
12	CYLINDER DRIVE	Z20823	1	1003587	4014486460230
13	HYDRAULIC PUMP DRIVE - ENGINE	Z22208	1	1003720	4014486494891
730					
1	REEL DRIVE VARIABLE SPEED	Z20459	1	1003583	4014486459029
2	REEL DRIVE	Z20562	1	1000753	4014486471526
3	HYDRAULIC PUMP DRIVE	Z21254	1	1003372	4014486461244
4	UNLOADING SYSTEM	Z21400	1	1003496	4014486468649
5	SICKLE KNIFE DRIVE	Z21500	1	1001103	4014486496857
5	SICKLE KNIFE DRIVE	Z21501	1	1001102	4014486496840
6	STRAW ELEVATOR DRIVE	Z21501	1	1001102	4014486496840
7	THRESHING DRUM VARIATOR DRIVE	Z22648	1	No AP	
9	FAN DRIVE VARIABLE SPEED	Z20459	1	1003583	4014486459029
10	FAN DRIVE	Z20703	1	1000679	4014486470529
11	ROTARY SCREEN - ELEVATOR	Z20743	1	1003505	4014486469196
12	CYLINDER DRIVE	Z20823	1	1003587	4014486460230
13	HYDRAULIC PUMP DRIVE - ENGINE	Z22208	1	1003720	4014486494891
930					
1	REEL DRIVE	Z20562	1	1000753	4014486471526
2	REEL DRIVE VARIABLE SPEED	Z20459	1	1003583	4014486459029
2	REEL DRIVE VARIABLE SPEED	Z30692	1	1001407	4014486459142
3	SICKLE KNIFE DRIVE	Z23693	1	1000695	4014486470765
4	STRAW ELEVATOR DRIVE	Z21501	1	1001102	4014486496840
4	STRAW ELEVATOR DRIVE	Z30130	1	1001111	4014486496949
5	TRACTION VARIATOR DRIVE	Z31367	1	1001452	4014486459609
7	UNLOADING SYSTEM	Z21400	1	1003496	4014486468649
9	STRAW WALKER DRIVE	Z25473	1	1003494	4014486468540
10	PURIFY DRIVE	Z31283	1	1000038	4014486460759
11	FAN DRIVE	Z20703	1	1000679	4014486470529
12	FAN DRIVE VARIABLE SPEED	Z20459	1	1003583	4014486459029
13	CYLINDER VARIATOR DRIVE	Z20823	1	1003587	4014486460230
14	ROTARY SCREEN DRIVE	Z28458	1	1000594	4014486469233
940					
1	REEL DRIVE	Z20562	1	1000753	4014486471526
2	REEL DRIVE VARIABLE SPEED	Z20459	1	1003583	4014486459029
2	REEL DRIVE VARIABLE SPEED	Z30692	1	1001407	4014486459142
3	SICKLE KNIFE DRIVE	Z23693	1	1000695	4014486470765
4	STRAW ELEVATOR DRIVE	Z21501	1	1001102	4014486496840
4	STRAW ELEVATOR DRIVE	Z30130	1	1001111	4014486496949
5	TRACTION VARIATOR DRIVE	Z31367	1	1001452	4014486459609
7	UNLOADING SYSTEM	Z21400	1	1003496	4014486468649
9	STRAW WALKER DRIVE	Z25473	1	1003494	4014486468540
10	PURIFY DRIVE	Z31283	1	1000038	4014486460759
11	FAN DRIVE	Z20703	1	1000679	4014486470529



JOHN DEERE

12	FAN DRIVE VARIABLE SPEED	Z20459	1	1003583	4014486459029
13	CYLINDER VARIATOR DRIVE	Z20823	1	1003587	4014486460230
14	ROTARY SCREEN DRIVE	Z28458	1	1000594	4014486469233

950

1	REEL DRIVE	Z20562	1	1000753	4014486471526
2	REEL DRIVE VARIABLE SPEED	Z20459	1	1003583	4014486459029
2	REEL DRIVE VARIABLE SPEED	Z30692	1	1001407	4014486459142
3	SICKLE KNIFE DRIVE	Z30130	1	1001111	4014486496949
4	STRAW ELEVATOR DRIVE	Z21501	1	1001102	4014486496840
6	THRESHING DRUM VARIATOR DRIVE	Z21403	1	No AP	
6	THRESHING DRUM VARIATOR DRIVE	Z29962	1	1004146	4014486523270
6	THRESHING DRUM VARIATOR DRIVE	Z32173	1	1001979	4014486490961
7	UNLOADING SYSTEM	Z21400	1	1003496	4014486468649
10	PURIFY DRIVE	Z31283	1	1000038	4014486460759
11	FAN DRIVE	Z20703	1	1000679	4014486470529
12	FAN DRIVE VARIABLE SPEED	Z20459	1	1003583	4014486459029
13	CYLINDER VARIATOR DRIVE	Z20823	1	1003587	4014486460230
14	ROTARY SCREEN DRIVE	Z28458	1	1000594	4014486469233
16	STRAW WALKER DRIVE	Z25473	1	1003494	4014486468540
16	STRAW WALKER DRIVE	Z25473	1	1003494	4014486468540

952

1	REEL DRIVE	Z20562	1	1000753	4014486471526
2	REEL DRIVE VARIABLE SPEED	Z20459	1	1003583	4014486459029
2	REEL DRIVE VARIABLE SPEED	Z30692	1	1001407	4014486459142
3	SICKLE KNIFE DRIVE	Z30130	1	1001111	4014486496949
4	STRAW ELEVATOR DRIVE	Z21501	1	1001102	4014486496840
4	STRAW ELEVATOR DRIVE	Z32568	1	1004129	4014486523119
6	MAIN DRIVE	Z21403	1	No AP	
7	UNLOADING SYSTEM	Z21400	1	1003496	4014486468649
9	STRAW CHOPPER DRIVE	Z33774	1	1000401	4014486466645
11	PURIFY DRIVE	Z31283	1	1000038	4014486460759
12	FAN DRIVE	Z34405	1	1000675	4014486470475
13	FAN DRIVE VARIABLE SPEED	Z20459	1	1003583	4014486459029
14	CYLINDER VARIATOR DRIVE	Z20823	1	1003587	4014486460230
15	ROTARY SCREEN DRIVE	Z20743	1	1003505	4014486469196
15	WATERPUMP DRIVE	Z32190	1	1000002	4014486458985

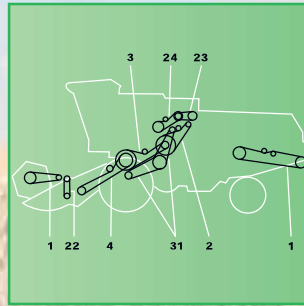
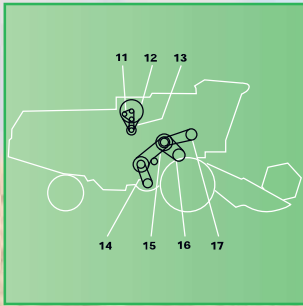
955

1	REEL DRIVE	Z20562	1	1000753	4014486471526
2	REEL DRIVE VARIABLE SPEED	Z20459	1	1003583	4014486459029
2	REEL DRIVE VARIABLE SPEED	Z30692	1	1001407	4014486459142
3	SICKLE KNIFE DRIVE	Z30130	1	1001111	4014486496949
4	STRAW ELEVATOR DRIVE	Z21501	1	1001102	4014486496840
4	STRAW ELEVATOR DRIVE	Z32568	1	1004129	4014486523119
6	MAIN DRIVE	Z21403	1	No AP	
7	UNLOADING SYSTEM	Z21400	1	1003496	4014486468649
9	STRAW CHOPPER DRIVE	Z33774	1	1000401	4014486466645
10	PURIFY DRIVE	Z31283	1	1000038	4014486460759
10	STRAW WALKER DRIVE	Z32883	1	1000157	4014486461794
11	FAN DRIVE	Z34405	1	1000675	4014486470475
12	FAN DRIVE VARIABLE SPEED	Z20459	1	1003583	4014486459029
13	CYLINDER VARIATOR DRIVE	Z20823	1	1003587	4014486460230
15	ROTARY SCREEN DRIVE	Z20743	1	1003505	4014486469196



JOHN DEERE

15	WATERPUMP DRIVE	Z32190	1	1000002	4014486458985
960					
1	REEL DRIVE	Z20562	1	1000753	4014486471526
2	REEL DRIVE VARIABLE SPEED	Z20459	1	1003583	4014486459029
2	REEL DRIVE VARIABLE SPEED	Z30692	1	1001407	4014486459142
3	SICKLE KNIFE DRIVE	Z30130	1	1001111	4014486496949
4	STRAW ELEVATOR DRIVE	Z21501	1	1001102	4014486496840
6	THRESHING DRUM VARIATOR DRIVE	Z21403	1	No AP	
6	THRESHING DRUM VARIATOR DRIVE	Z29962	1	1004146	4014486523270
6	THRESHING DRUM VARIATOR DRIVE	Z32173	1	1001979	4014486490961
7	UNLOADING SYSTEM	Z21400	1	1003496	4014486468649
10	PURIFY DRIVE	Z31283	1	1000038	4014486460759
11	FAN DRIVE	Z20703	1	1000679	4014486470529
12	FAN DRIVE VARIABLE SPEED	Z20459	1	1003583	4014486459029
13	CYLINDER VARIATOR DRIVE	Z20823	1	1003587	4014486460230
14	ROTARY SCREEN DRIVE	Z28458	1	1000594	4014486469233
16	STRAW WALKER DRIVE	Z25473	1	1003494	4014486468540
965					
1	REEL DRIVE	Z20562	1	1000753	4014486471526
2	REEL DRIVE VARIABLE SPEED	Z20459	1	1003583	4014486459029
3	MAIN DRIVE	Z33790	1	1001995	4014486491180
4	UNLOADING SYSTEM	Z33368	1	1000603	4014486469370
5	HYDRAULIC PUMP DRIVE	Z34828	1	1003397	4014486462821
6	TRACTION DRIVE	AZ22914	2	1002915	4014486496918
8	STRAW ELEVATOR DRIVE	Z21500	1	1001103	4014486496857
10	RADIATOR FAN DRIVE	Z24833	1	No AP	
11	PURIFY DRIVE	Z31283	1	1000038	4014486460759
12	COUNTERSHAFT - PURIFY DRIVE	Z32190	1	1000002	4014486458985
13	CYLINDER DRIVE	Z20823	1	1003587	4014486460230
14	FAN DRIVE	Z34405	1	1000675	4014486470475
15	SICKLE KNIFE DRIVE	Z30130	1	1001111	4014486496949
970					
1	REEL DRIVE	Z20562	1	1000753	4014486471526
2	REEL DRIVE VARIABLE SPEED	Z20459	1	1003583	4014486459029
2	REEL DRIVE VARIABLE SPEED	Z30692	1	1001407	4014486459142
3	SICKLE KNIFE DRIVE	Z30130	1	1001111	4014486496949
4	STRAW ELEVATOR DRIVE	Z21501	1	1001102	4014486496840
6	THRESHING DRUM VARIATOR DRIVE	Z21403	1	No AP	
6	THRESHING DRUM VARIATOR DRIVE	Z29962	1	1004146	4014486523270
6	THRESHING DRUM VARIATOR DRIVE	Z32173	1	1001979	4014486490961
7	UNLOADING SYSTEM	Z21400	1	1003496	4014486468649
10	PURIFY DRIVE	Z31283	1	1000038	4014486460759
11	FAN DRIVE	Z20703	1	1000679	4014486470529
12	FAN DRIVE VARIABLE SPEED	Z20459	1	1003583	4014486459029
13	CYLINDER VARIATOR DRIVE	Z20823	1	1003587	4014486460230
14	ROTARY SCREEN DRIVE	Z28458	1	1000594	4014486469233
16	STRAW WALKER DRIVE	Z25473	1	1003494	4014486468540
975					
1	REEL DRIVE	Z20562	1	1000753	4014486471526
2	REEL DRIVE VARIABLE SPEED	Z20459	1	1003583	4014486459029
3	MAIN DRIVE	Z33790	1	1001995	4014486491180



JOHN DEERE

4	UNLOADING SYSTEM	Z33368	1	1000603	4014486469370
5	HYDRAULIC PUMP DRIVE	Z34828	1	1003397	4014486462821
6	TRACTION DRIVE	AZ22914	2	1002915	4014486496918
8	STRAW ELEVATOR DRIVE	Z21500	1	1001103	4014486496857
10	RADIATOR FAN DRIVE	Z24833	1	No AP	
11	PURIFY DRIVE	Z31283	1	1000038	4014486460759
12	COUNTERSHAFT - PURIFY DRIVE	Z32190	1	1000002	4014486458985
13	CYLINDER DRIVE	Z20823	1	1003587	4014486460230
14	FAN DRIVE	Z34405	1	1000675	4014486470475
15	SICKLE KNIFE DRIVE	Z30130	1	1001111	4014486496949

985

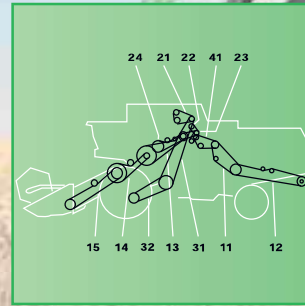
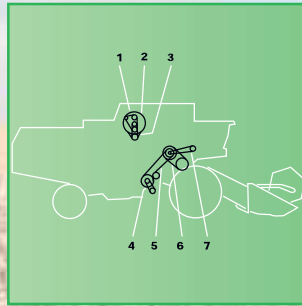
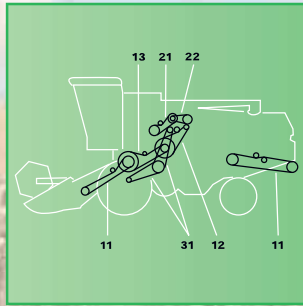
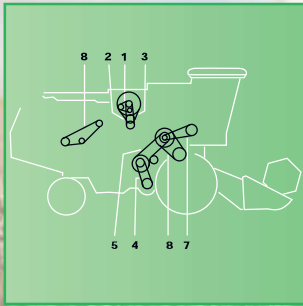
1	REEL DRIVE	Z20562	1	1000753	4014486471526
2	REEL DRIVE	Z30692	1	1001407	4014486459142
3	MAIN	Z33790	1	1001995	4014486491180
4	UNLOADING DRIVE	Z33368	1	1000603	4014486469370
5	HYDRAULIC PUMP DRIVE	Z34828	1	1003397	4014486462821
6	STRAW DISCHARGE	Z33605	1	1000162	4014486461848
7	HYDRAULIC PUMP DRIVE - ENGINE	CA20518	1	1003386	4014486462425
9	TRACTION (UPPER)	AZ22914	2	1002915	4014486496918
10	TRACTION (LOWER)	Z34099	1	1001523	4014486460421
11	MAIN DRIVE	Z38186	1	1001647	4014486485998
14	PURIFY DRIVE	Z37192	1	1004106	4014486522815
16	CYLINDER	Z37473	1	1003589	4014486460315
18	FAN DRIVE VARIABLE SPEED	Z20459	1	1003583	4014486459029

1032

1	STRAW WALKER DRIVE	Z33774	1	1000401	4014486466645
2		Z46222	1	1001861	4014486488975
3	LEAD-IN DRIVE	Z20460	1	1000697	4014486470789
3	LEAD-IN DRIVE	Z21501	1	1001102	4014486496840
3	LEAD-IN DRIVE	Z38186	1	1001647	4014486485998
4	CUTTING TABLE DRIVE	Z23693	1	1000695	4014486470765
4	CUTTING TABLE DRIVE	Z39313	1	1001109	4014486496925
12	ROTARY SCREEN DRIVE	Z31283	1	1000038	4014486460759
13	ROTARY SCREEN DRIVE	Z32190	1	1000002	4014486458985
14	FAN DRIVE VARIABLE SPEED	Z41178	1	1001396	4014486459012
15	FAN DRIVE VARIABLE SPEED	Z34405	1	1000675	4014486470475
16		Z53288	1	1001507	4014486460223
17	ELEVATOR DRIVE UNIT	Z20743	1	1003505	4014486469196
21		Z44740	1	1000747	4014486471441
22	REEL DRIVE VARIABLE SPEED	Z36813	1	1001397	4014486459036
23	HYDRAULIC PUMP DRIVE	Z42382	1	1002811	4014486462920
24	DISCHARGE BEATER DRIVE	Z43253	1	1003492	4014486468465
31	MAIN DRIVE	Z36120	1	1001438	4014486459463

1042

1	STRAW WALKER DRIVE	Z33774	1	1000401	4014486466645
2		Z46222	1	1001861	4014486488975
3	LEAD-IN DRIVE	Z20460	1	1000697	4014486470789
3	LEAD-IN DRIVE	Z21501	1	1001102	4014486496840
3	LEAD-IN DRIVE	Z38186	1	1001647	4014486485998
4	CUTTING TABLE DRIVE	Z23693	1	1000695	4014486470765
4	CUTTING TABLE DRIVE	Z39313	1	1001109	4014486496925
12	ROTARY SCREEN DRIVE	Z31283	1	1000038	4014486460759



JOHN DEERE

13	ROTARY SCREEN DRIVE	Z32190	1	1000002	4014486458985
14	FAN DRIVE VARIABLE SPEED	Z41178	1	1001396	4014486459012
15	FAN DRIVE VARIABLE SPEED	Z34405	1	1000675	4014486470475
16		Z53288	1	1001507	4014486460223
17	ELEVATOR DRIVE UNIT	Z20743	1	1003505	4014486469196
21		Z44740	1	1000747	4014486471441
22	REEL DRIVE VARIABLE SPEED	Z36813	1	1001397	4014486459036
23	HYDRAULIC PUMP DRIVE	Z42382	1	1002811	4014486462920
24	DISCHARGE BEATER DRIVE	Z43253	1	1003492	4014486468465
31	MAIN DRIVE	Z36120	1	1001438	4014486459463

1052

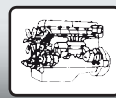
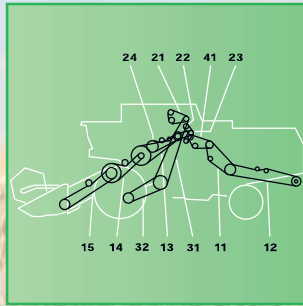
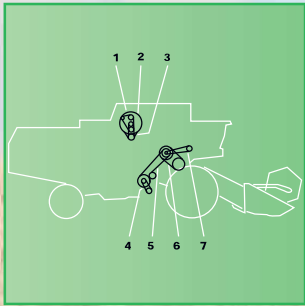
1	STRAW WALKER DRIVE	Z33774	1	1000401	4014486466645
2		Z46222	1	1001861	4014486488975
3	LEAD-IN DRIVE	Z20460	1	1000697	4014486470789
3	LEAD-IN DRIVE	Z21501	1	1001102	4014486496840
3	LEAD-IN DRIVE	Z38186	1	1001647	4014486485998
4	CUTTING TABLE DRIVE	Z23693	1	1000695	4014486470765
4	CUTTING TABLE DRIVE	Z39313	1	1001109	4014486496925
12	ROTARY SCREEN DRIVE	Z31283	1	1000038	4014486460759
13	ROTARY SCREEN DRIVE	Z32190	1	1000002	4014486458985
14	FAN DRIVE VARIABLE SPEED	Z41178	1	1001396	4014486459012
15	FAN DRIVE VARIABLE SPEED	Z34405	1	1000675	4014486470475
16		Z53288	1	1001507	4014486460223
17	ELEVATOR DRIVE UNIT	Z20743	1	1003505	4014486469196
21		Z44740	1	1000747	4014486471441
22	REEL DRIVE VARIABLE SPEED	Z36813	1	1001397	4014486459036
23	HYDRAULIC PUMP DRIVE	Z42382	1	1002811	4014486462920
24	DISCHARGE BEATER DRIVE	Z43253	1	1003492	4014486468465
31	MAIN DRIVE	Z36120	1	1001438	4014486459463

1055

2	ROTARY SCREEN DRIVE	Z31283	1	1000038	4014486460759
3	ROTARY SCREEN DRIVE	Z32190	1	1000002	4014486458985
4	FAN DRIVE VARIABLE SPEED	Z41178	1	1001396	4014486459012
5	FAN DRIVE VARIABLE SPEED	Z34405	1	1000675	4014486470475
6		Z53288	1	1001507	4014486460223
7	ELEVATOR DRIVE UNIT	Z20743	1	1003505	4014486469196
8		Z35965	1	1000153	4014486461756
11	STRAW WALKER DRIVE	Z33774	1	1000401	4014486466645
12		Z21403	1	No AP	
12		Z46222	1	1001861	4014486488975
13	LEAD-IN DRIVE	Z21501	1	1001102	4014486496840
13	LEAD-IN DRIVE	Z38186	1	1001647	4014486485998
14	CUTTING TABLE DRIVE	Z39312	1	1001118	4014486497038
14	CUTTING TABLE DRIVE	Z39313	1	1001109	4014486496925
21	DISCHARGE BEATER DRIVE	Z43253	1	1003492	4014486468465
22	HYDRAULIC PUMP DRIVE	Z42382	1	1002811	4014486462920

1065

1	FAN DRIVE	AR72036	1	1002351	4014486478846
2	ROTARY SCREEN DRIVE	Z31283	1	1000038	4014486460759
3	ROTARY SCREEN DRIVE	Z32190	1	1000002	4014486458985
4	FAN DRIVE VARIABLE SPEED	Z41178	1	1001396	4014486459012
5	FAN DRIVE VARIABLE SPEED	Z34405	1	1000675	4014486470475



JOHN DEERE

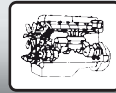
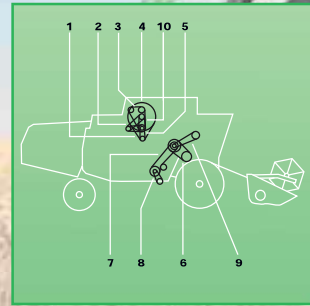
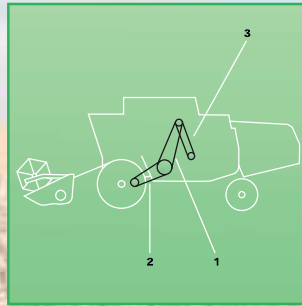
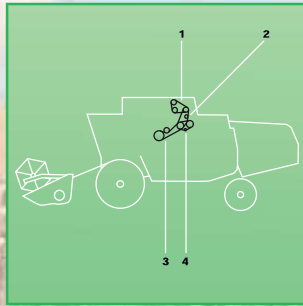
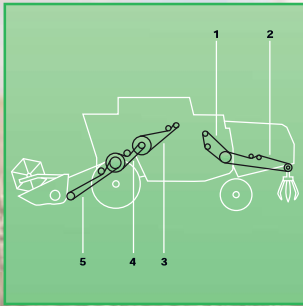
6	MAIN DRIVE	Z34099	1	1001523	4014486460421
7	LEAD-IN DRIVE	Z21501	1	1001102	4014486496840
8	LEAD-IN DRIVE	Z32568	1	1004129	4014486523119
9	CUTTING TABLE DRIVE	Z39313	1	1001109	4014486496925
10	CUTTING TABLE DRIVE	Z39314	1	1001121	4014486497076
11	SHAKER SHAFT DRIVE	Z35965	1	1000153	4014486461756
12	CYLINDER VARIATOR DRIVE	Z20823	1	1003587	4014486460230
13	CUTTING TABLE DRIVE LEAD-IN	Z33790	1	1001995	4014486491180
18	REEL DRIVE VARIABLE SPEED	Z36813	1	1001397	4014486459036
19	REEL DRIVE VARIABLE SPEED	Z20562	1	1000753	4014486471526
20	MAIN DRIVE	AZ22914	2	1002915	4014486496918
21	STRAW WALKER DRIVE	Z33774	1	1000401	4014486466645
21	AIR CONDITIONING COMPRESSOR DRIVE SUB. FOR Z41889	Z42756	1	1002350	4014486478839
23	HYDROSTATIC PUMP DRIVE	Z34828	1	1003397	4014486462821
	AIR CONDITIONING COMPRESSOR DRIVE	CA22534	1	1000228	4014486463088
	DISCHARGE BEATER DRIVE	Z43253	1	1003492	4014486468465

1068

1	FAN DRIVE	AR72036	1	1002351	4014486478846
2	ROTARY SCREEN DRIVE	Z34786	1	1000040	4014486460773
3	ROTARY SCREEN DRIVE	Z32190	1	1000002	4014486458985
4	FAN DRIVE VARIABLE SPEED	Z41178	1	1001396	4014486459012
5	FAN DRIVE VARIABLE SPEED	Z34405	1	1000675	4014486470475
6	CYLINDER VARIATOR DRIVE	Z53288	1	1001507	4014486460223
7		Z45026	1	1000261	4014486464177
11	SHAKER SHAFT DRIVE	Z35965	1	1000153	4014486461756
12	CYLINDER VARIATOR DRIVE	Z20823	1	1003587	4014486460230
12	STRAW WALKER DRIVE	Z33774	1	1000401	4014486466645
13	CUTTING TABLE DRIVE LEAD-IN	Z33790	1	1001995	4014486491180
14	LEAD-IN DRIVE (GRAIN)	Z21501	1	1001102	4014486496840
14	LEAD-IN DRIVE (MAIZE)	Z38186	1	1001647	4014486485998
15	CUTTING TABLE DRIVE	Z39312	1	1001118	4014486497038
15	CUTTING TABLE DRIVE	Z39313	1	1001109	4014486496925
15	CUTTING TABLE DRIVE	Z39314	1	1001121	4014486497076
21	AIR CONDITIONING COMPRESSOR DRIVE SUB. FOR Z41889	Z42756	1	1002350	4014486478839
22	AIR CONDITIONING COMPRESSOR DRIVE (FROM NR. 33563)	Z45482	1	1003400	4014486462906
23	HYDRAULIC PUMP DRIVE	Z34828	1	1003397	4014486462821
24		Z47911	1	1000604	4014486469363
32	MAIN DRIVE	Z34099	1	1001523	4014486460421
41		Z43863	1	1000036	4014486460735

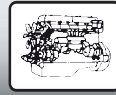
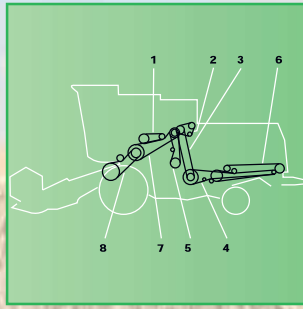
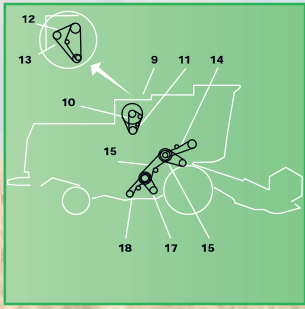
1072

1	REEL DRIVE VARIABLE SPEED	Z33790	1	1001995	4014486491180
3	AIR CONDITIONING COMPRESSOR DRIVE	CA22534	1	1000228	4014486463088
4	HYDROSTATIC PUMP DRIVE	Z34828	1	1003397	4014486462821
5	SHAKER SHAFT DRIVE	Z35965	1	1000153	4014486461756
6	MAIN DRIVE	Z21501	1	1001102	4014486496840
8	CUTTING TABLE DRIVE	Z39313	1	1001109	4014486496925
10	ROTARY SCREEN DRIVE	Z31283	1	1000038	4014486460759
11	ROTARY SCREEN DRIVE	Z32190	1	1000002	4014486458985
12	CYLINDER VARIATOR DRIVE	Z20823	1	1003587	4014486460230
13	FAN DRIVE VARIABLE SPEED	Z34405	1	1000675	4014486470475
16	REEL DRIVE VARIABLE SPEED	Z36813	1	1001397	4014486459036
17	REEL DRIVE VARIABLE SPEED	Z20562	1	1000753	4014486471526
22	STRAW WALKER DRIVE	Z33774	1	1000401	4014486466645



JOHN DEERE

23	MAIN DRIVE	Z33967	1	1001497	4014486460100
1075					
1	CUTTING TABLE DRIVE LEAD-IN	Z33790	1	1001995	4014486491180
2	DISCHARGE BEATER DRIVE	Z33368	1	1000603	4014486469370
4	HYDROSTATIC PUMP DRIVE	Z34828	1	1003397	4014486462821
5	SHAKER SHAFT DRIVE	Z35965	1	1000153	4014486461756
6	MAIN DRIVE	Z34099	1	1001523	4014486460421
7	LEAD-IN DRIVE	Z21501	1	1001102	4014486496840
7	LEAD-IN DRIVE	Z38186	1	1001647	4014486485998
8	CUTTING TABLE DRIVE	Z39314	1	1001121	4014486497076
9	FAN DRIVE	AR72036	1	1002351	4014486478846
12	ROTARY SCREEN DRIVE	Z34786	1	1000040	4014486460773
13	ROTARY SCREEN DRIVE	Z32190	1	1000002	4014486458985
14	CYLINDER VARIATOR DRIVE	Z37473	1	1003589	4014486460315
15	FAN DRIVE VARIABLE SPEED	Z34405	1	1000675	4014486470475
16	FAN DRIVE VARIABLE SPEED	Z41178	1	1001396	4014486459012
18	REEL DRIVE VARIABLE SPEED	Z36813	1	1001397	4014486459036
19	REEL DRIVE VARIABLE SPEED	Z20562	1	1000753	4014486471526
20	MAIN DRIVE	AZ22914	2	1002915	4014486496918
21	STRAW WALKER DRIVE	Z33774	1	1000401	4014486466645
1085					
1	CUTTING TABLE DRIVE LEAD-IN	Z38697	1	1001996	4014486491203
2	DISCHARGE BEATER DRIVE	Z33368	1	1000603	4014486469370
3	AIR CONDITIONING COMPRESSOR DRIVE	Z41932	1	1000229	4014486463118
4	HYDROSTATIC PUMP DRIVE	Z34828	1	1003397	4014486462821
5	SHAKER SHAFT DRIVE	Z35965	1	1000153	4014486461756
6	MAIN DRIVE	Z34099	1	1001523	4014486460421
7	LEAD-IN DRIVE	Z38186	1	1001647	4014486485998
10	ROTARY SCREEN DRIVE	Z38704	1	1000039	4014486460766
12	CYLINDER VARIATOR DRIVE	Z37473	1	1003589	4014486460315
13	FAN DRIVE VARIABLE SPEED	Z34405	1	1000675	4014486470475
14	FAN DRIVE VARIABLE SPEED	Z41178	1	1001396	4014486459012
16	REEL DRIVE VARIABLE SPEED	Z36813	1	1001397	4014486459036
17	REEL DRIVE VARIABLE SPEED	Z20562	1	1000753	4014486471526
19	MAIN DRIVE	AZ22914	2	1002915	4014486496918
22	STRAW WALKER DRIVE	Z33774	1	1000401	4014486466645
1088					
1		Z51212	1	1001027	4014486487800
3		Z34828	1	1003397	4014486462821
4		Z42757	1	1003343	4014486462975
5		Z33774	1	1000401	4014486466645
7		Z43889	1	1002707	4014486486452
9		Z46709	1	1001832	4014486488555
10		Z43890	1	1003643	4014486489156
11		Z46463	1	1001261	4014486492200
12		Z46365	1	1001404	4014486459104
13		Z44936	1	1001542	4014486460612
15		Z42756	1	1002350	4014486478839
16		Z43863	1	1000036	4014486460735
17		Z38704	1	1000039	4014486460766



JOHN DEERE

1155

1	FAN DRIVE	AR72036	1	1002351	4014486478846
2		Z31283	1	1000038	4014486460759
2		Z38704	1	1000039	4014486460766
4		Z20459	1	1003583	4014486459029
5		Z34405	1	1000675	4014486470475
6		Z53288	1	1001507	4014486460223
7		Z20743	1	1003505	4014486469196
8		Z35965	1	1000153	4014486461756
11		Z33774	1	1000401	4014486466645
12		Z46222	1	1001861	4014486488975
13		Z21501	1	1001102	4014486496840
14		Z39312	1	1001118	4014486497038
14		Z39313	1	1001109	4014486496925
21		Z43253	1	1003492	4014486468465
22		Z42382	1	1002811	4014486462920

1157

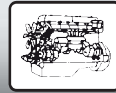
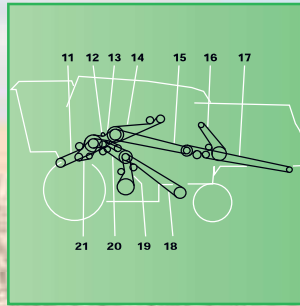
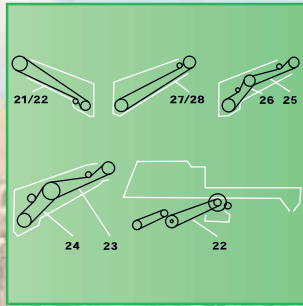
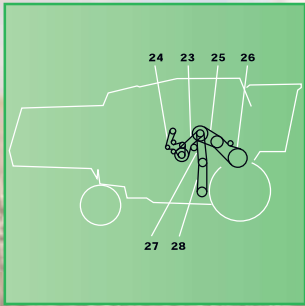
1	FAN DRIVE	AR72036	1	1002351	4014486478846
2		Z31283	1	1000038	4014486460759
2		Z38704	1	1000039	4014486460766
4		Z20459	1	1003583	4014486459029
5		Z34405	1	1000675	4014486470475
6		Z53288	1	1001507	4014486460223
7		Z20743	1	1003505	4014486469196
8		Z35965	1	1000153	4014486461756
11		Z33774	1	1000401	4014486466645
12		Z46222	1	1001861	4014486488975
13		Z21501	1	1001102	4014486496840
14		Z39312	1	1001118	4014486497038
14		Z39313	1	1001109	4014486496925
21		Z43253	1	1003492	4014486468465
22		Z42382	1	1002811	4014486462920

1158

1	FAN DRIVE	AR72036	1	1002351	4014486478846
2		Z31283	1	1000038	4014486460759
2		Z38704	1	1000039	4014486460766
4		Z20459	1	1003583	4014486459029
5		Z34405	1	1000675	4014486470475
6		Z53288	1	1001507	4014486460223
7		Z20743	1	1003505	4014486469196
8		Z35965	1	1000153	4014486461756
11		Z33774	1	1000401	4014486466645
12		Z46222	1	1001861	4014486488975
13		Z21501	1	1001102	4014486496840
14		Z39312	1	1001118	4014486497038
14		Z39313	1	1001109	4014486496925
21		Z43253	1	1003492	4014486468465
22		Z42382	1	1002811	4014486462920

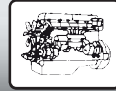
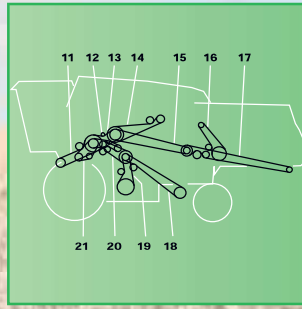
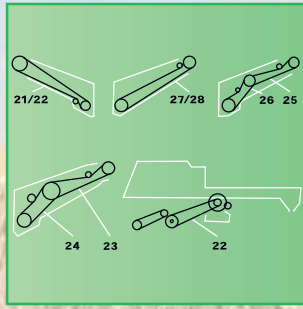
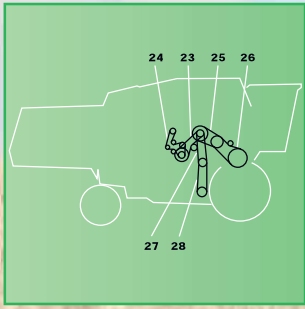
1170

5		Z46709	1	1001832	4014486488555
7		Z46463	1	1001261	4014486492200



JOHN DEERE

8		Z43890	1	1003643	4014486489156
13		R123451	1	1003150	4014486481099
14		Z45026	1	1000261	4014486464177
16		Z44936	1	1001542	4014486460612
17		Z41178	1	1001396	4014486459012
19		Z46709	1	1001832	4014486488555
2054					
1		Z54406	1	1001122	4014486497083
1		Z55801	1	1000786	4014486472028
1		Z61151	1	1001761	4014486487442
2		Z58752	1	1000788	4014486472042
2		Z59419	1	1001125	4014486497113
3		Z59556	1	1000635	4014486469899
3		Z63005	1	1000648	4014486470093
4		Z59557	1	1001388	4014486475043
5		Z44936	1	1001542	4014486460612
6		Z53515	1	1001973	4014486490886
6		Z61858	1	1001973	4014486490886
7		Z62110	1	1001423	4014486459302
8		Z62111	1	1001432	4014486459401
11		Z59344	1	1003858	4014486519907
13		Z52909	1	1003856	4014486496680
13		Z61150	1	1001754	4014486519532
13		Z63327	1	1001751	4014486519525
13		Z64912	1	1001751	4014486519525
14		Z61857	1	1001190	4014486520422
15		Z59286	1	1001911	4014486489736
16		Z59114	1	1000324	4014486465488
17		Z59342	1	1003622	4014486487114
18		Z60135	1	1000395	4014486466584
19		Z59322	1	1000640	4014486469981
20		Z56959	1	1001089	4014486496710
21		Z56421	1	1001084	4014486496666
22		Z48212	1	1001769	4014486519600
23		Z60931	1	1003623	4014486487503
23		Z61152	1	1001764	4014486487473
24		Z61154	1	1001448	4014486459562
24		Z62211	1	1001449	4014486459579
25		Z54807	1	1001096	4014486496789
25		Z58751	1	1004084	4014486520453
25		Z60931	1	1003623	4014486487503
25		Z61152	1	1001764	4014486487473
26		Z55459	1	1001085	4014486496673
26		Z61153	1	1001753	4014486487367
26		Z61827	1	1001755	4014486519549
26		Z62213	1	1003856	4014486496680
27		Z54406	1	1001122	4014486497083
27		Z62214	1	1001127	4014486497137
27		Z62551	1	1001784	4014486519655
28		Z60930	1	1001784	4014486519655
28		Z62552	1	1001786	4014486519679
2056					
1		Z54406	1	1001122	4014486497083

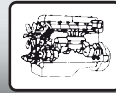
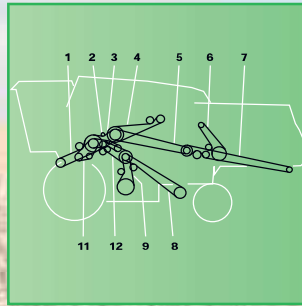
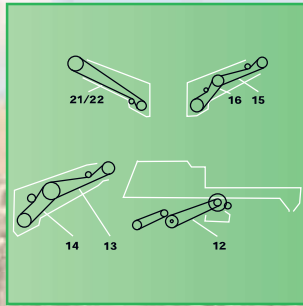
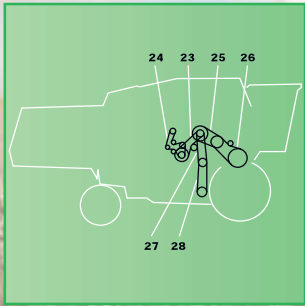


JOHN DEERE

1		Z55801	1	1000786	4014486472028
1		Z61151	1	1001761	4014486487442
2		Z58752	1	1000788	4014486472042
2		Z59419	1	1001125	4014486497113
3		Z59556	1	1000635	4014486469899
3		Z63005	1	1000648	4014486470093
4		Z59557	1	1001388	4014486475043
5		Z44936	1	1001542	4014486460612
6		Z61858	1	1001973	4014486490886
7		Z62110	1	1001423	4014486459302
8		Z62111	1	1001432	4014486459401
11		Z59344	1	1003858	4014486519907
13		Z52909	1	1003856	4014486496680
13		Z61150	1	1001754	4014486519532
13		Z64912	1	1001751	4014486519525
14		Z61857	1	1001190	4014486520422
15		Z59286	1	1001911	4014486489736
16		Z59114	1	1000324	4014486465488
17		Z59342	1	1003622	4014486487114
18		Z60135	1	1000395	4014486466584
19		Z59322	1	1000640	4014486469981
20		Z56959	1	1001089	4014486496710
21		Z56421	1	1001084	4014486496666
22		Z48212	1	1001769	4014486519600
23		Z60931	1	1003623	4014486487503
23		Z61152	1	1001764	4014486487473
24		Z61154	1	1001448	4014486459562
24		Z62211	1	1001449	4014486459579
25		Z54807	1	1001096	4014486496789
25		Z58751	1	1004084	4014486520453
25		Z60931	1	1003623	4014486487503
25		Z61152	1	1001764	4014486487473
26		Z55459	1	1001085	4014486496673
26		Z61153	1	1001753	4014486487367
26		Z61827	1	1001755	4014486519549
26		Z62213	1	1003856	4014486496680
27		Z54406	1	1001122	4014486497083
27		Z62214	1	1001127	4014486497137
27		Z62551	1	1001784	4014486519655
28		Z60930	1	1001784	4014486519655
28		Z62552	1	1001786	4014486519679

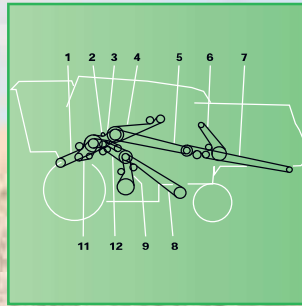
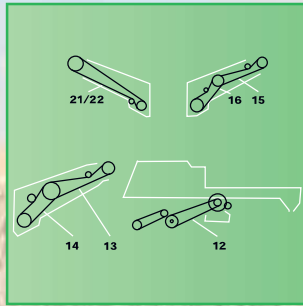
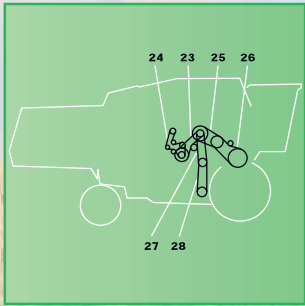
2058

1		Z54406	1	1001122	4014486497083
1		Z55801	1	1000786	4014486472028
1		Z61151	1	1001761	4014486487442
2		Z58752	1	1000788	4014486472042
2		Z59419	1	1001125	4014486497113
3		Z59556	1	1000635	4014486469899
3		Z63005	1	1000648	4014486470093
4		Z59557	1	1001388	4014486475043
5		Z44936	1	1001542	4014486460612
6		Z61858	1	1001973	4014486490886
7		Z62110	1	1001423	4014486459302
8		Z62111	1	1001432	4014486459401



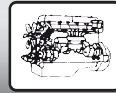
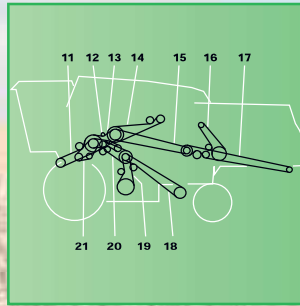
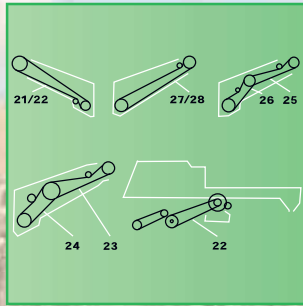
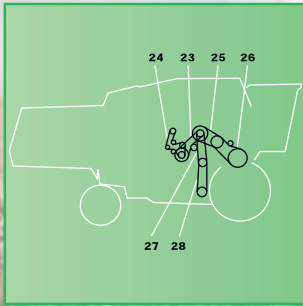
JOHN DEERE

11		Z59344	1	1003858	4014486519907
13		Z52909	1	1003856	4014486496680
13		Z61150	1	1001754	4014486519532
13		Z64912	1	1001751	4014486519525
14		Z61857	1	1001190	4014486520422
15		Z59286	1	1001911	4014486489736
16		Z59114	1	1000324	4014486465488
17		Z59342	1	1003622	4014486487114
18		Z60135	1	1000395	4014486466584
19		Z59322	1	1000640	4014486469981
20		Z56959	1	1001089	4014486496710
21		Z56421	1	1001084	4014486496666
22		Z48212	1	1001769	4014486519600
23		Z60931	1	1003623	4014486487503
23		Z61152	1	1001764	4014486487473
24		Z61154	1	1001448	4014486459562
24		Z62211	1	1001449	4014486459579
25		Z54807	1	1001096	4014486496789
25		Z58751	1	1004084	4014486520453
25		Z60931	1	1003623	4014486487503
25		Z61152	1	1001764	4014486487473
26		Z55459	1	1001085	4014486496673
26		Z61153	1	1001753	4014486487367
26		Z61827	1	1001755	4014486519549
26		Z62213	1	1003856	4014486496680
27		Z54406	1	1001122	4014486497083
27		Z62214	1	1001127	4014486497137
27		Z62551	1	1001784	4014486519655
28		Z60930	1	1001784	4014486519655
28		Z62552	1	1001786	4014486519679
2064					
1		Z59344	1	1003858	4014486519907
1		Z61151	1	1001761	4014486487442
3		Z52909	1	1003856	4014486496680
3		Z61150	1	1001754	4014486519532
3		Z64912	1	1001751	4014486519525
4		Z61857	1	1001190	4014486520422
5		Z59286	1	1001911	4014486489736
6		Z59114	1	1000324	4014486465488
7		Z59342	1	1003622	4014486487114
8		Z60135	1	1000395	4014486466584
9		Z56421	1	1001084	4014486496666
10		Z56959	1	1001089	4014486496710
11		Z59322	1	1000640	4014486469981
12		Z48212	1	1001769	4014486519600
12		Z59419	1	1001125	4014486497113
13		Z60931	1	1003623	4014486487503
13		Z61152	1	1001764	4014486487473
14		Z61154	1	1001448	4014486459562
14		Z62211	1	1001449	4014486459579
15		Z54807	1	1001096	4014486496789
15		Z58751	1	1004084	4014486520453
15		Z60931	1	1003623	4014486487503
15		Z61152	1	1001764	4014486487473



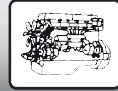
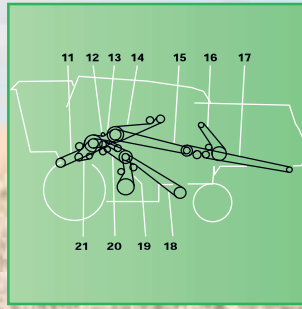
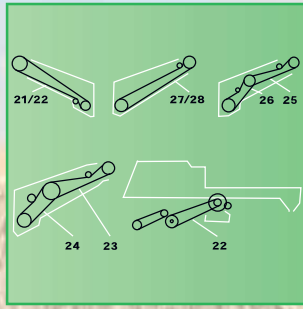
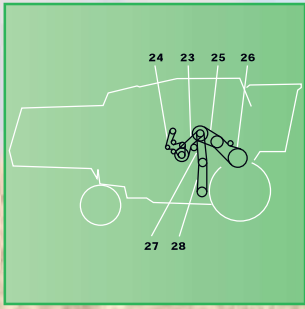
JOHN DEERE

16		Z55459	1	1001085	4014486496673
16		Z61153	1	1001753	4014486487367
16		Z61827	1	1001755	4014486519549
16		Z62213	1	1003856	4014486496680
21		Z54406	1	1001122	4014486497083
21		Z55801	1	1000786	4014486472028
22		Z58752	1	1000788	4014486472042
22		Z59419	1	1001125	4014486497113
23		Z59556	1	1000635	4014486469899
23		Z63005	1	1000648	4014486470093
24		Z59557	1	1001388	4014486475043
25		Z44936	1	1001542	4014486460612
26		Z61858	1	1001973	4014486490886
27		Z62110	1	1001423	4014486459302
28		Z62111	1	1001432	4014486459401
2066					
1		Z59344	1	1003858	4014486519907
1		Z61151	1	1001761	4014486487442
3		Z52909	1	1003856	4014486496680
3		Z61150	1	1001754	4014486519532
3		Z64912	1	1001751	4014486519525
4		Z61857	1	1001190	4014486520422
5		Z59286	1	1001911	4014486489736
6		Z59114	1	1000324	4014486465488
7		Z59342	1	1003622	4014486487114
8		Z60135	1	1000395	4014486466584
9		Z56421	1	1001084	4014486496666
10		Z56959	1	1001089	4014486496710
11		Z59322	1	1000640	4014486469981
12		Z48212	1	1001769	4014486519600
12		Z59419	1	1001125	4014486497113
13		Z60931	1	1003623	4014486487503
13		Z61152	1	1001764	4014486487473
14		Z61154	1	1001448	4014486459562
14		Z62211	1	1001449	4014486459579
15		Z54807	1	1001096	4014486496789
15		Z58751	1	1004084	4014486520453
15		Z60931	1	1003623	4014486487503
15		Z61152	1	1001764	4014486487473
16		Z55459	1	1001085	4014486496673
16		Z61153	1	1001753	4014486487367
16		Z61827	1	1001755	4014486519549
16		Z62213	1	1003856	4014486496680
21		Z54406	1	1001122	4014486497083
21		Z55801	1	1000786	4014486472028
22		Z58752	1	1000788	4014486472042
22		Z59419	1	1001125	4014486497113
23		Z59556	1	1000635	4014486469899
23		Z63005	1	1000648	4014486470093
24		Z59557	1	1001388	4014486475043
25		Z44936	1	1001542	4014486460612
26		Z61858	1	1001973	4014486490886
27		Z62110	1	1001423	4014486459302
28		Z62111	1	1001432	4014486459401



JOHN DEERE

2250					
4	PLATFORM DRIVE	E58967	1	1004189	4014486558135
2254					
1		Z59344	1	1003858	4014486519907
1		Z61151	1	1001761	4014486487442
3		Z61150	1	1001754	4014486519532
3		Z64912	1	1001751	4014486519525
4		Z61857	1	1001190	4014486520422
5		Z59286	1	1001911	4014486489736
6		Z59114	1	1000324	4014486465488
7		Z59342	1	1003622	4014486487114
8		Z60135	1	1000395	4014486466584
9		Z59322	1	1000640	4014486469981
10		Z56959	1	1001089	4014486496710
11		Z56421	1	1001084	4014486496666
12		Z48212	1	1001769	4014486519600
13		Z60931	1	1003623	4014486487503
13		Z61152	1	1001764	4014486487473
14		Z62211	1	1001449	4014486459579
15		Z54807	1	1001096	4014486496789
15		Z58751	1	1004084	4014486520453
15		Z60931	1	1003623	4014486487503
15		Z61152	1	1001764	4014486487473
16		Z61827	1	1001755	4014486519549
16		Z62213	1	1003856	4014486496680
17		Z54406	1	1001122	4014486497083
17		Z62551	1	1001784	4014486519655
18		Z62214	1	1001127	4014486497137
18		Z62552	1	1001786	4014486519679
21		Z54406	1	1001122	4014486497083
22		Z59419	1	1001125	4014486497113
23		Z63005	1	1000648	4014486470093
24		Z59557	1	1001388	4014486475043
25		Z44936	1	1001542	4014486460612
26		Z61858	1	1001973	4014486490886
27		Z62110	1	1001423	4014486459302
28		Z62111	1	1001432	4014486459401
2256					
1		Z59344	1	1003858	4014486519907
1		Z61151	1	1001761	4014486487442
3		Z61150	1	1001754	4014486519532
3		Z64912	1	1001751	4014486519525
4		Z61857	1	1001190	4014486520422
5		Z59286	1	1001911	4014486489736
6		Z59114	1	1000324	4014486465488
7		Z59342	1	1003622	4014486487114
8		Z60135	1	1000395	4014486466584
9		Z59322	1	1000640	4014486469981
10		Z56959	1	1001089	4014486496710
11		Z56421	1	1001084	4014486496666
12		Z48212	1	1001769	4014486519600
13		Z60931	1	1003623	4014486487503

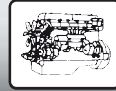
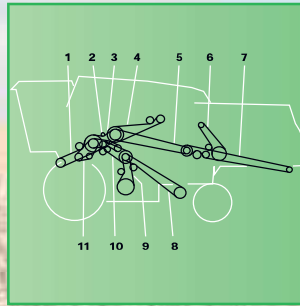
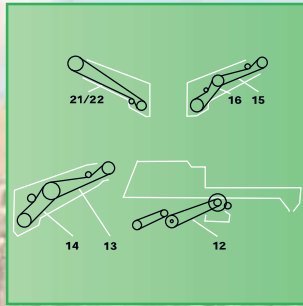
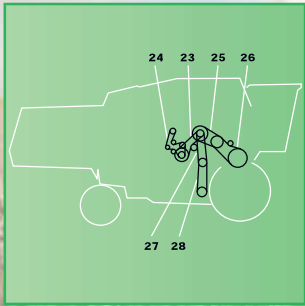


JOHN DEERE

13		Z61152	1	1001764	4014486487473
14		Z62211	1	1001449	4014486459579
15		Z54807	1	1001096	4014486496789
15		Z58751	1	1004084	4014486520453
15		Z60931	1	1003623	4014486487503
15		Z61152	1	1001764	4014486487473
16		Z61827	1	1001755	4014486519549
16		Z62213	1	1003856	4014486496680
17		Z54406	1	1001122	4014486497083
17		Z62551	1	1001784	4014486519655
18		Z62214	1	1001127	4014486497137
18		Z62552	1	1001786	4014486519679
21		Z54406	1	1001122	4014486497083
22		Z59419	1	1001125	4014486497113
23		Z63005	1	1000648	4014486470093
24		Z59557	1	1001388	4014486475043
25		Z44936	1	1001542	4014486460612
26		Z61858	1	1001973	4014486490886
27		Z62110	1	1001423	4014486459302
28		Z62111	1	1001432	4014486459401

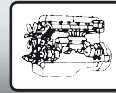
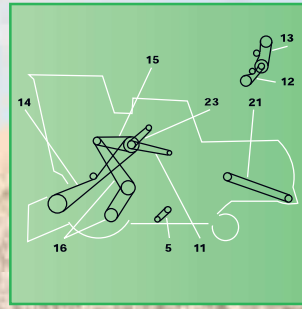
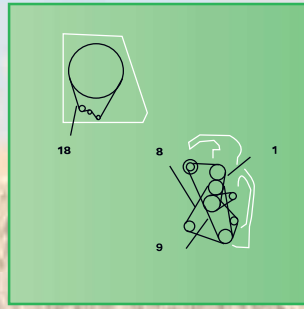
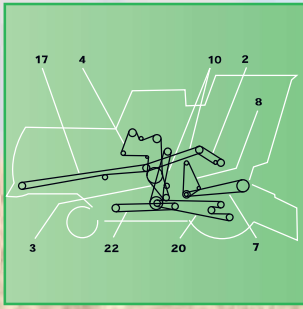
2258

1		Z59344	1	1003858	4014486519907
1		Z61151	1	1001761	4014486487442
3		Z61150	1	1001754	4014486519532
3		Z64912	1	1001751	4014486519525
4		Z61857	1	1001190	4014486520422
5		Z59286	1	1001911	4014486489736
6		Z59114	1	1000324	4014486465488
7		Z59342	1	1003622	4014486487114
8		Z60135	1	1000395	4014486466584
9		Z59322	1	1000640	4014486469981
10		Z56959	1	1001089	4014486496710
11		Z56421	1	1001084	4014486496666
12		Z48212	1	1001769	4014486519600
13		Z60931	1	1003623	4014486487503
13		Z61152	1	1001764	4014486487473
14		Z62211	1	1001449	4014486459579
15		Z54807	1	1001096	4014486496789
15		Z58751	1	1004084	4014486520453
15		Z60931	1	1003623	4014486487503
15		Z61152	1	1001764	4014486487473
16		Z61827	1	1001755	4014486519549
16		Z62213	1	1003856	4014486496680
17		Z54406	1	1001122	4014486497083
17		Z62551	1	1001784	4014486519655
18		Z62214	1	1001127	4014486497137
18		Z62552	1	1001786	4014486519679
21		Z54406	1	1001122	4014486497083
22		Z59419	1	1001125	4014486497113
23		Z63005	1	1000648	4014486470093
24		Z59557	1	1001388	4014486475043
25		Z44936	1	1001542	4014486460612
26		Z61858	1	1001973	4014486490886
27		Z62110	1	1001423	4014486459302



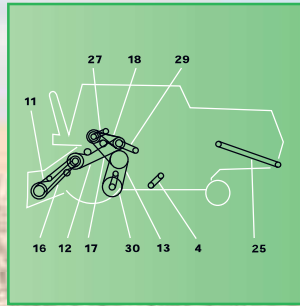
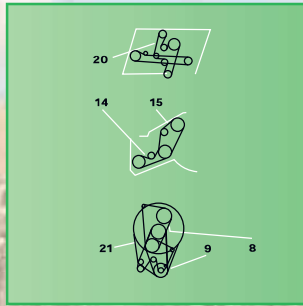
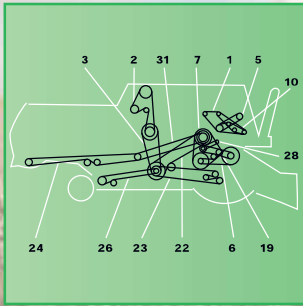
JOHN DEERE

28		Z62111	1	1001432	4014486459401
2264					
1		Z59344	1	1003858	4014486519907
1		Z61151	1	1001761	4014486487442
3		Z61150	1	1001754	4014486519532
3		Z64912	1	1001751	4014486519525
4		Z61857	1	1001190	4014486520422
5		Z59286	1	1001911	4014486489736
6		Z59114	1	1000324	4014486465488
7		Z59342	1	1003622	4014486487114
8		Z60135	1	1000395	4014486466584
9		Z56421	1	1001084	4014486496666
10		Z56959	1	1001089	4014486496710
11		Z59322	1	1000640	4014486469981
12		Z48212	1	1001769	4014486519600
13		Z60931	1	1003623	4014486487503
13		Z61152	1	1001764	4014486487473
14		Z62211	1	1001449	4014486459579
15		Z54807	1	1001096	4014486496789
15		Z58751	1	1004084	4014486520453
15		Z60931	1	1003623	4014486487503
15		Z61152	1	1001764	4014486487473
16		Z61827	1	1001755	4014486519549
16		Z62213	1	1003856	4014486496680
21		Z54406	1	1001122	4014486497083
22		Z59419	1	1001125	4014486497113
23		Z63005	1	1000648	4014486470093
24		Z59557	1	1001388	4014486475043
25		Z44936	1	1001542	4014486460612
26		Z61858	1	1001973	4014486490886
27		Z62110	1	1001423	4014486459302
28		Z62111	1	1001432	4014486459401
2266					
1		Z59344	1	1003858	4014486519907
1		Z61151	1	1001761	4014486487442
3		Z61150	1	1001754	4014486519532
3		Z64912	1	1001751	4014486519525
4		Z61857	1	1001190	4014486520422
5		Z59286	1	1001911	4014486489736
6		Z59114	1	1000324	4014486465488
7		Z59342	1	1003622	4014486487114
8		Z60135	1	1000395	4014486466584
9		Z56421	1	1001084	4014486496666
10		Z56959	1	1001089	4014486496710
11		Z59322	1	1000640	4014486469981
12		Z48212	1	1001769	4014486519600
13		Z60931	1	1003623	4014486487503
13		Z61152	1	1001764	4014486487473
14		Z62211	1	1001449	4014486459579
15		Z54807	1	1001096	4014486496789
15		Z58751	1	1004084	4014486520453
15		Z60931	1	1003623	4014486487503
15		Z61152	1	1001764	4014486487473



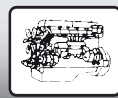
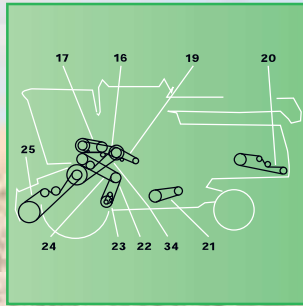
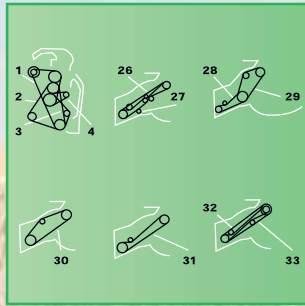
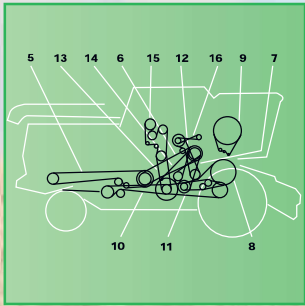
JOHN DEERE

16		Z61827	1	1001755	4014486519549
16		Z62213	1	1003856	4014486496680
21		Z54406	1	1001122	4014486497083
22		Z59419	1	1001125	4014486497113
23		Z63005	1	1000648	4014486470093
24		Z59557	1	1001388	4014486475043
25		Z44936	1	1001542	4014486460612
26		Z61858	1	1001973	4014486490886
27		Z62110	1	1001423	4014486459302
28		Z62111	1	1001432	4014486459401
2270					
4	PLATFORM DRIVE	E58967	1	1004189	4014486558135
2280					
4	PLATFORM DRIVE	E58967	1	1004189	4014486558135
3300					
1	ALTERNATOR AND WATERPUMP DRIVE 329DH-02	H80896	1	1002570	4014486495355
7	AIR CONDITIONING COMPRESSOR DRIVE 292	H80896	1	1002570	4014486495355
7	COMPRESSOR DRIVE (GAS ENGINE) AC 292	H80896	1	1002570	4014486495355
7	AIR CONDITIONING COMPRESSOR DRIVE	H81742	1	No AP	
8	COMPRESSOR DRIVE (DIESEL ENGINE) AC 292	H80896	1	1002570	4014486495355
10	CYLINDER VARIATOR DRIVE	340435138	1	1004295	4014486683318
19	PROPULSION DRIVE (LOWER)	H76136	1	1000542	4014486468243
23	ROTARY SCREEN DRIVE	H86259	1	No AP	
24	COUNTERSHAFT (SECONDARY)	H138762	1	1000710	4014486470987
28	UNLOADING AUGER COUNTERSHAFT	H76136	1	1000542	4014486468243
3400					
1	ALTERNATOR AND WATERPUMP DRIVE 329DH-02	H80896	1	1002570	4014486495355
7	COMPRESSOR DRIVE (GAS ENGINE) AC 292	H80896	1	1002570	4014486495355
8	COMPRESSOR DRIVE (DIESEL ENGINE) AC 292	H80896	1	1002570	4014486495355
19	PROPULSION DRIVE (LOWER)	H76136	1	1000542	4014486468243
23	ROTARY SCREEN DRIVE	H86259	1	No AP	
24	COUNTERSHAFT (SECONDARY)	H138762	1	1000710	4014486470987
28	UNLOADING AUGER COUNTERSHAFT	H76136	1	1000542	4014486468243
3430					
3	WATERPUMP DRIVE	R73784	1	1003983	4014486519273
3830					
3	ROTARY SCREEN DRIVE	H86259	1	No AP	
4400					
1	ALTERNATOR AND WATERPUMP DRIVE 329DH-02	H80896	1	1002570	4014486495355
7	COMPRESSOR DRIVE (GAS ENGINE) AC 292	H80896	1	1002570	4014486495355
8	COMPRESSOR DRIVE (DIESEL ENGINE) AC 292	H80896	1	1002570	4014486495355
19	PROPULSION DRIVE (LOWER)	H76136	1	1000542	4014486468243
23	COUNTERSHAFT (SECONDARY)	H138762	1	1000710	4014486470987
23	ROTARY SCREEN DRIVE	H86259	1	No AP	
28	UNLOADING AUGER COUNTERSHAFT	H76136	1	1000542	4014486468243
4420					
5	ROTARY SCREEN DRIVE	H86259	1	No AP	



JOHN DEERE

8	UNLOADING AUGER COUNTERSHAFT	H76136	1	1000542	4014486468243
14	STRAW SPREADER DRIVE	Z33774	1	1000401	4014486466645
15	BEATER DRIVE	Z33790	1	1001995	4014486491180
16	FEEDER HOUSE DRIVE	Z38186	1	1001647	4014486485998
17	STRAW CHOPPER (FRONT)	Z44761	1	1001668	4014486486315
24	COUNTERSHAFT (SECONDARY)	H138762	1	1000710	4014486470987
4425					
1	ALTERNATOR, WATER PUMP	AR72036	1	1002351	4014486478846
2	BEATER	Z33790	1	1001995	4014486491180
3	CLEANING FAN	Z41178	1	1001396	4014486459012
4	COMPRESSOR	Z42756	1	1002350	4014486478839
5	CONDENSER FAN	Z45482	1	1003400	4014486462906
6	CONDENSER ROTARY BLADE	Z43863	1	1000036	4014486460735
7	CONDENSER ROTARY BLADE	Z38704	1	1000039	4014486460766
8	COUNTERSHAFT TO ROTARY SCREEN	Z34786	1	1000040	4014486460773
9	CRANKSHAFT TO COUNTERSHAFT	Z32190	1	1000002	4014486458985
10	CYLINDER	Z65924	1	No AP	
11	FEEDER HOUSE	Z38186	1	1001647	4014486485998
12	LOWER GROUND DRIVE	Z34099	1	1001523	4014486460421
13	MAIN HYDRAULIC PUMP	Z34828	1	1003397	4014486462821
14	SEPARATOR	Z34405	1	1000675	4014486470475
15	STRAW CHOPPER, FRONT	Z44761	1	1001668	4014486486315
17	STRAW SPREADER	Z33774	1	1000401	4014486466645
18	TAILINGS ELEVATOR	Z45026	1	1000261	4014486464177
19	UNLOADING AUGER	Z47911	1	1000604	4014486469363
20	UPPER GROUND DRIVE (PKG. 2)	AZ35635	2	1001105	4014486496871
4700					
1		R500173	1	1003213	4014486482348
6600					
2	U-JOINT LOADING AUGER	H23950	1	1000682	4014486470581
3	CLEAN GRAIN ELEVATOR COUNTERSHAFT	H27433	1	1000598	4014486469301
5	AIR CONDITIONING COMPRESSOR DRIVE	H80896	1	1002570	4014486495355
7	CYLINDER - INTERMEDIATE SHAFT	H113749	1	1001514	4014486460339
11	FEEDER CONVEYOR (LONG FEEDER HOUSE)	H125380	1	1000791	4014486472073
13	HYDROSTATIC PROPULSION DRIVE (LOWER)	AH84633	2	1001087	4014486496697
17	HYDROSTATIC PROPULSION DRIVE (UPPER)	AH84633	2	1001087	4014486496697
21	ROTARY SCREEN DRIVE	H86259	1	No AP	
26	TAILINGS AUGER (LOWER)	N110085	1	1000702	4014486470857
31	STRAW CHOPPER DRIVE	H80103	1	1000709	4014486470970
6602					
8	ELEVATOR DRIVE GRAIN	H23950	1	1000682	4014486470581
17		H80103	1	1000709	4014486470970
18	ELEVATOR DRIVE GRAIN	H27433	1	1000598	4014486469301
19	AUGER DRIVE	N110085	1	1000702	4014486470857
6610					
1		Z48567	1	1002618	4014486498028
2		AZ39678	2	1002843	4014486464085
3		AZ39676	2	1002766	4014486464306
4		AZ39677	3	1001343	4014486474558



JOHN DEERE

6620

9	ROTARY SCREEN DRIVE	H86259	1	No AP	
13	CLEAN GRAIN ELEVATOR COUNTERSHAFT	H27433	1	1000598	4014486469301
18	MULTI-GROOVE SEPARATOR DRIVE	H108175	1	1001140	4014486490022
22	GROUND DRIVE (LOWER)	AH84633	2	1001087	4014486496697
24	GROUND DRIVE (UPPER)	AH84633	2	1001087	4014486496697
25	FEEDER HOUSE DRIVE (REGULAR) (SERIAL NR. 502551-615100)	H111519	1	1004270	4014486683295
26	FEEDER CONVEYOR DRIVE (SERIAL NR. ... - 403301)	H125380	1	1000791	4014486472073
31	FEEDER HOUSE - LOWER FIXED LESS REVERSER (SERIAL NR 615100 - ...)	Z30130	1	1001111	4014486496949
	TORQUE-SENSING COUNTERSHAFT DRIVE	H113749	1	1001514	4014486460339

6622

5	LEFT-HAND SIDE	H136881	1	1000693	4014486470741
7	TORQUE-SENSING COUNTERSHAFT DRIVE	H113749	1	1001514	4014486460339
9	CLEAN GRAIN ELEVATOR AND LOADING	H23950	1	1000682	4014486470581
10	CLEAN GRAIN ELEVATOR COUNTERSHAFT	H27433	1	1000598	4014486469301
12		H27433	1	1000598	4014486469301
25	MULTI-GROOVE SEPARATOR DRIVE	H108175	1	1001140	4014486490022

6650

1		R136235	1	1002684	4014486482591
---	--	---------	---	---------	---------------

6700

1		R135199	1	1003235	4014486482669
---	--	---------	---	---------	---------------

6710

2		Z55771	1	1002360	4014486478945
---	--	--------	---	---------	---------------

6750

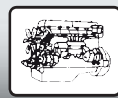
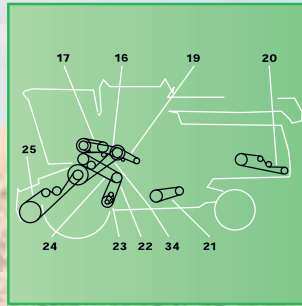
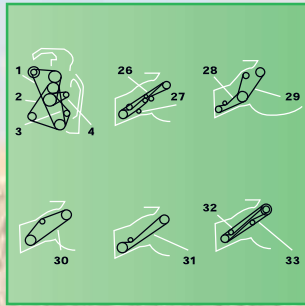
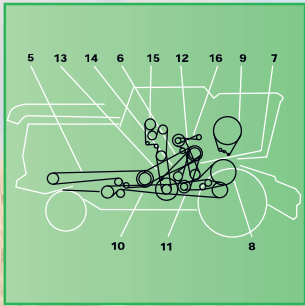
1		R503312	1	1002614	4014486484182
2		R502599	1	1002651	4014486481143

6810

1		AZ51312	2	1003982	4014486519808
2		Z58886	1	1003711	4014486494662
3		AZ56225	2	1002313	4014486480016

6950

1		AZ51638	1	1004153	4014486523676
---	--	---------	---	---------	---------------



JOHN DEERE

7720

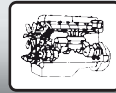
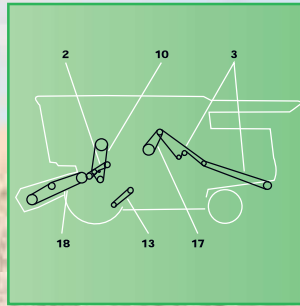
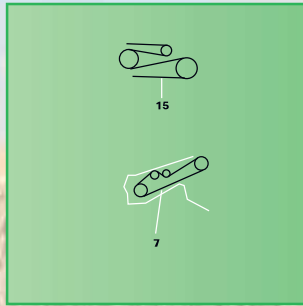
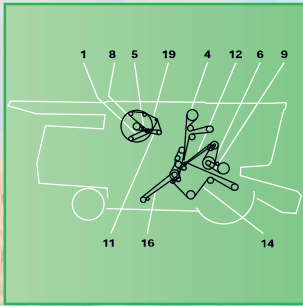
5	ROTARY SCREEN DRIVE	H86259	1	No AP	
10	TORQUE-SENSING COUNTERSHAFT DRIVE	H113749	1	1001514	4014486460339
13	CLEAN GRAIN ELEVATOR COUNTERSHAFT	H27433	1	1000598	4014486469301
19	FEEDER CONVEYOR DRIVE	H125380	1	1000791	4014486472073
26	FEEDER HOUSE - LOWER (REGULAR)	H111519	1	1004270	4014486683295
27	MULTI-GROOVE SEPARATOR DRIVE	H108175	1	1001140	4014486490022
29	DRIVE (LOWER)	Z30130	1	1001111	4014486496949
36	GROUND DRIVE (UPPER)	AH84633	2	1001087	4014486496697
38	GROUND DRIVE (LOWER)	AH84633	2	1001087	4014486496697

7721

4	CLEAN GRAIN ELEVATOR COUNTERSHAFT	H27433	1	1000598	4014486469301
14	UNLOADING AUGER COUNTERSHAFT	H23950	1	1000682	4014486470581

7722

5	GROUND DRIVE (UPPER)	AH84633	2	1001087	4014486496697
9	ENGINE POWERSHAFT	AH84633	2	1001087	4014486496697
10	ENGINE POWERSHAFT	H108175	1	1001140	4014486490022
12	FEEDER HOUSE (LOWER)	H111519	1	1004270	4014486683295
15	CUTTERBAR DRIVE (HILLSIDE)	H21925	1	1000694	4014486470734



JOHN DEERE

9400

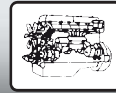
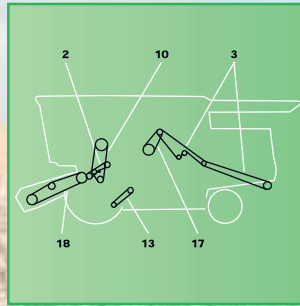
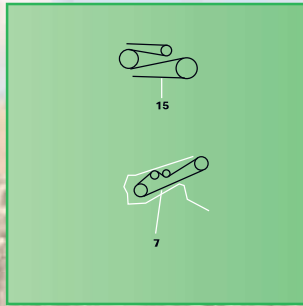
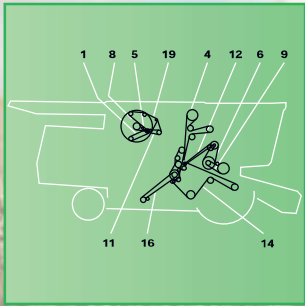
2	ROTARY SCREEN DRIVE	H143869	1	No AP	
3	ROTARY SCREEN DRIVE	H134216	1	No AP	
6	CYLINDER DRIVE INTERMEDIATE	H115759	1	1001543	4014486460636
6	CLEAN GRAIN ELEVATOR DRIVE	H141167	1	1004088	4014486520088
7	CYLINDER DRIVE REGULAR DUAL RANGE	H115881	1	1003663	4014486490817
8	TAILINGS AUGER AND ELEVATOR (LOWER)	N110085	1	1000702	4014486470857
10	COUNTERSHAFT (SECONDARY)	H128010	1	1000797	4014486472165
11	STRAW WALKER SHOE - CONVEYOR AUGERS	H131169	1	1001392	4014486475104
12	UNLOADING SYSTEM	AH127866	2	1003765	4014486469394
13	STRAW CHOPPER DRIVE, FRONT	H125380	1	1000791	4014486472073
14	REGULAR	H140404	1	1001434	4014486459425
15	HEADER AND REEL PUMP	H125565	1	No AP	
15	HEADER AND REEL PUMP	H140160	1	1003570	4014486497014
16	FEEDER DRIVE VARIABLE SPEED	H125711	1	No AP	
17	BEATER (100 PERCENT BEATER SPEED)	AH139436	2	1001382	4014486474978
18	FEEDER HOUSE FIXED SPEED WITH REVERSER	H126345	1	1001124	4014486497106
19	STRAW SPREADER DRIVE	Z33774	1	1000401	4014486466645

9410

1	AIR CONDITIONING COMPRESSOR	H80896	1	1002570	4014486495355
3	ALTERNATOR, ENGINE	H101813	1	1002580	4014486495591
4	BEATER DRIVE (75 PERCENT)	AH163931	2	1001381	4014486474961
5	BEATER DRIVE (100 PERCENT)	AH139436	2	1001382	4014486474978
6	CHOPPER IN WINDROW OR FORWARD POSITION	H27433	1	1000598	4014486469301
10	COOLING FAN HIGH POWER	H132808	1	No AP	
11	CYLINDER DR. REGULAR DUAL RANGE & SINGLE RANGE	H115881	1	1003663	4014486490817
12	CYLINDER INTERMEDIATE DRIVE BELT	H210476	1	1001543	4014486460636
13	ENGINE FAN	H132808	1	No AP	
14	FEEDER HOUSE VARIABLE SPEED	H161648	1	No AP	
15	FIXED SPEED FEEDER HOUSE WITH REVERSER	H126345	1	1001124	4014486497106
18	HEADER AND REEL PUMP	H151952	1	1003570	4014486497014
19	LOWER TAILINGS AUGER & ELEVATOR	N110085	1	1000702	4014486470857
20	ROTARY SCREEN	H145158	1	No AP	
21	ROTARY SCREEN DRIVE	H146636	1	1004193	4014486558487
22	SECONDARY COUNTERSHAFT	H128010	1	1000797	4014486472165
23	SHOE, STRAW WALKER & CONVEYOR AUGERS	H131169	1	1001392	4014486475104
24	STRAW CHOPPER DRIVE, FRONT	H125380	1	1000791	4014486472073
25	STRAW CHOPPER DRIVE, REGULAR	H140404	1	1001434	4014486459425
27	STRAW SPREADER	Z33774	1	1000401	4014486466645
28	UNLOADING SYSTEM	AH158880	2	1002861	4014486469400

9450

1	AIR CONDITIONING COMPRESSOR	H101813	1	1002580	4014486495591
3	ALTERNATOR (95 AMP)	H163515	1	1003209	4014486482256
4	ALTERNATOR (185 AMP)	H166870	1	1004090	4014486520521
5	BEATER DRIVE (75%)	AH163931	2	1001381	4014486474961
6	BEATER DRIVE (100%)	AH139436	2	1001382	4014486474978
7	CLEAN GRAIN ELEVATOR	H141166	1	1001394	4014486475128
8	CLEANING FAN (750 - 1350 RPM)	H152146	1	1001435	4014486459432
9	CLEANING FAN (490 - 980 RPM)	H152180	1	1001431	4014486459395
10	COOLING FAN	H132808	1	No AP	
11	COUNTERSHAFT SECONDARY	H128010	1	1000797	4014486472165
12	CYLINDER DRIVE (240 - 960 RPM) (STANDARD)	H115881	1	1003663	4014486490817



JOHN DEERE

14	CYLINDER INTERMEDIATE DRIVE BELT	H210476	1	1001543	4014486460636
17	FEEDER HOUSE VARIABLE SPEED (-700100)	H161648	1	No AP	
19	FIXED SPEED FEEDER HOUSE W/REVERSER (-700100)	H126345	1	1001124	4014486497106
20	FIXED SPEED FEEDER HOUSE W/REVERSER (700101-)	H156796	1	1004269	4014486683301
21	HEADER AND REEL PUMP	H151952	1	1003570	4014486497014
22	LOWER TAILINGS AUGER & ELEVATOR	N110085	1	1000702	4014486470857
23	ROTARY SCREEN (-695100)	H145158	1	No AP	
24	ROTARY SCREEN (695101-)	H175632	1	1004469	4014486712117
25	ROTARY SCREEN DRIVE	H146636	1	1004193	4014486558487
26	SHOE, STRAW WALKER & CONVEYOR AUGERS	H131169	1	1001392	4014486475104
29	STRAW CHOPPER (SHORT REAR)	H27433	1	1000598	4014486469301
30	STRAW SPREADER	Z33774	1	1000401	4014486466645
31	UNLOADING SYSTEM	AH158880	2	1002861	4014486469400
9500					
1	COOLING FAN	H132808	1	No AP	
2	ROTARY SCREEN DRIVE	H143869	1	No AP	
3	ROTARY SCREEN DRIVE	H134216	1	No AP	
4	AIR CONDITIONING COMPRESSOR DRIVE	H134437	1	No AP	
5	CLEAN GRAIN ELEVATOR DRIVE	H141167	1	1004088	4014486520088
6	CYLINDER DRIVE INTERMEDIATE	H115759	1	1001543	4014486460636
7	CYLINDER DRIVE REGULAR DUAL RANGE	H115881	1	1003663	4014486490817
8	TAILINGS AUGER AND ELEVATOR (LOWER)	N110085	1	1000702	4014486470857
9	FOR ALTERNATOR	H134344	1	No AP	
10	COUNTERSHAFT (SECONDARY)	H128010	1	1000797	4014486472165
11	STRAW WALKER SHOE - CONVEYOR AUGERS	H131169	1	1001392	4014486475104
12	UNLOADING SYSTEM	AH127866	2	1003765	4014486469394
13	(FRONT)	H125380	1	1000791	4014486472073
13	LONG REAR	H125381	1	1000778	4014486471885
14	REGULAR	H140404	1	1001434	4014486459425
15	HEADER AND REEL PUMP	H125565	1	No AP	
15	HEADER AND REEL PUMP	H140160	1	1003570	4014486497014
16	FEEDER DRIVE VARIABLE SPEED	H125711	1	No AP	
17	BEATER (100 PERCENT BEATER SPEED)	AH139436	2	1001382	4014486474978
18	FEEDER HOUSE FIXED SPEED WITH REVERSER	H126345	1	1001124	4014486497106
19	STRAW SPREADER DRIVE	H128234	1	1000419	4014486466829
9501					
1	BELT, FEED HOUSE DRIVE TIGHTENER	H151952	1	1003570	4014486497014
3	CYLINDER DR. REGULAR DUAL RANGE & SINGLE RANGE	H115881	1	1003663	4014486490817
4	CYLINDER INTERMEDIATE DRIVE BELT	H210476	1	1001543	4014486460636
5	FIXED SPEED FEEDER HOUSE WITH REVERSER	H126345	1	1001124	4014486497106
6	LOWER TAILINGS AUGER & ELEVATOR	N110085	1	1000702	4014486470857
8	REGULAR (100 PERCENT)	AH139436	2	1001382	4014486474978
8	SECONDARY COUNTERSHAFT	H128010	1	1000797	4014486472165
9	STRAW CHOPPER DRIVE, FRONT	H125380	1	1000791	4014486472073
9	SHOE, STRAW WALKER & CONVEYOR AUGERS	H131169	1	1001392	4014486475104
10	STRAW CHOPPER DRIVE, LONG REAR	H125381	1	1000778	4014486471885
11	STRAW CHOPPER DRIVE, REGULAR	H140404	1	1001434	4014486459425
14	STRAW SPREADER	H128234	1	1000419	4014486466829
16	UNLOADING SYSTEM	AH158880	2	1002861	4014486469400



JOHN DEERE

9510

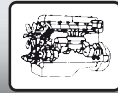
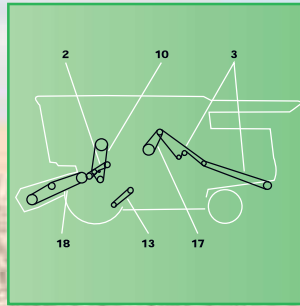
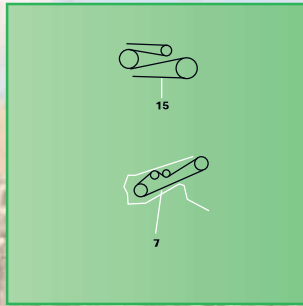
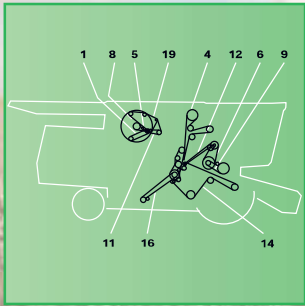
1	AIR CONDITIONING COMPRESSOR	H80896	1	1002570	4014486495355
3	ALTERNATOR, ENGINE	H101813	1	1002580	4014486495591
4	BEATER DRIVE (100 PERCENT)	AH139436	2	1001382	4014486474978
4	BEATER DRIVE (75 PERCENT)	AH163931	2	1001381	4014486474961
5	CHOPPER IN REAR (OPERATING) POSITION	H125381	1	1000778	4014486471885
5	CHOPPER IN WINDROW OR FORWARD POSITION	H23950	1	1000682	4014486470581
7	COOLING FAN LOW POWER	H132808	1	No AP	
8	CYLINDER DR. REGULAR DUAL RANGE & SINGLE RANGE	H115881	1	1003663	4014486490817
8	CYLINDER INTERMEDIATE DRIVE BELT	H210476	1	1001543	4014486460636
10	FEEDER HOUSE VARIABLE SPEED	H161648	1	No AP	
11	FIXED SPEED FEEDER HOUSE WITH REVERSER	H126345	1	1001124	4014486497106
12	LOWER TAILINGS AUGER & ELEVATOR	N110085	1	1000702	4014486470857
13	POWERSHAFT AND REEL PUMP	H151952	1	1003570	4014486497014
14	ROTARY SCREEN	H145158	1	No AP	
14	ROTARY SCREEN DRIVE	H146636	1	1004193	4014486558487
15	SECONDARY COUNTERSHAFT	H128010	1	1000797	4014486472165
16	SHOE, STRAW WALKER & CONVEYOR AUGERS	H131169	1	1001392	4014486475104
17	STRAW CHOPPER DRIVE, FRONT	H125380	1	1000791	4014486472073
17	STRAW CHOPPER DRIVE, REGULAR (750 - 1350 RPM)	H140404	1	1001434	4014486459425
18	STRAW SPREADER	H128234	1	1000419	4014486466829
19	UNLOADING SYSTEM	AH158880	2	1002861	4014486469400

9540

1		H175632	1	1004469	4014486712117
2		H115881	1	1003663	4014486490817
3		H177263	1	1001394	4014486475128
4		N110085	1	1000702	4014486470857
6	9540	H177589	1	1002285	4014486479683
7	9540	H175467	1	1003125	4014486480788
8		H176765	1	1001789	4014486519686
10		H177177	1	1001905	4014486489668
11		H152146	1	1001435	4014486459432
12		H176766	1	1001756	4014486519556
13	FOR HILLMASTER ONLY	H202821	1	1001759	4014486519563
16		AH139436	2	1001382	4014486474978
17		AH158880	2	1002861	4014486469400

9550

1	AIR CONDITIONING COMPRESSOR	H163515	1	1003209	4014486482256
3	ALTERNATOR (95 AMP)	H163515	1	1003209	4014486482256
3	ALTERNATOR (185 AMP)	H166870	1	1004090	4014486520521
4	BEATER DRIVE (100%)	AH139436	2	1001382	4014486474978
4	BEATER DRIVE (75%)	AH163931	2	1001381	4014486474961
5	CLEAN GRAIN ELEVATOR	H141166	1	1001394	4014486475128
6	CLEANING FAN (750 - 1350 RPM)	H152146	1	1001435	4014486459432
6	CLEANING FAN (490 - 980 RPM)	H152180	1	1001431	4014486459395
8	COUNTERSHAFT SECONDARY	H128010	1	1000797	4014486472165
9	CYLINDER INTERMEDIATE DRIVE BELT	H210476	1	1001543	4014486460636
10	CYLINDER DRIVE (240 - 960 RPM)	H115881	1	1003663	4014486490817
12	FEEDER HOUSE VARIABLE SPEED (STANDARD CAPACITY) (-700200)	H161648	1	No AP	
14	FIXED SPEED FEEDER HOUSE W/REVERSER (-700200)	H126345	1	1001124	4014486497106
14	FIXED SPEED FEEDER HOUSE W/REVERSER (700201-)	H156796	1	1004269	4014486683301
15	HEADER AND REEL PUMP (STANDARD)	H151952	1	1003570	4014486497014



JOHN DEERE

15	HEADER AND REEL PUMP (HIGH CAP.)	H155998	1	1000764	4014486471670
16	LOWER TAILINGS AUGER & ELEVATOR	N110085	1	1000702	4014486470857
17	ROTARY SCREEN (-695000)	H145158	1	No AP	
17	ROTARY SCREEN (695201-)	H175632	1	1004469	4014486712117
19	SHOE, STRAW WALKER & CONVEYOR AUGERS	H131169	1	1001392	4014486475104
20	STRAW CHOPPER (STANDARD BALING)	H23950	1	1000682	4014486470581
21	STRAW SPREADER	H128234	1	1000419	4014486466829
22	UNLOADING SYSTEM	AH158880	2	1002861	4014486469400
9560					
1		H175632	1	1004469	4014486712117
2		H115881	1	1003663	4014486490817
3		H177263	1	1001394	4014486475128
4		N110085	1	1000702	4014486470857
6	9560 / 9580	H146636	1	1004193	4014486558487
7	9560 / 9580	H177186	1	1003223	4014486482508
8		H176765	1	1001789	4014486519686
10		H177177	1	1001905	4014486489668
11		H152146	1	1001435	4014486459432
12		H176766	1	1001756	4014486519556
13	FOR HILLMASTER ONLY	H202821	1	1001759	4014486519563
16		AH139436	2	1001382	4014486474978
17		AH158880	2	1002861	4014486469400
9580					
1		H175632	1	1004469	4014486712117
2		H115881	1	1003663	4014486490817
3		H177263	1	1001394	4014486475128
4		N110085	1	1000702	4014486470857
6	9560 / 9580	H146636	1	1004193	4014486558487
7	9560 / 9580	H177186	1	1003223	4014486482508
8		H176765	1	1001789	4014486519686
10		H177177	1	1001905	4014486489668
11		H152146	1	1001435	4014486459432
12		H176766	1	1001756	4014486519556
13	FOR HILLMASTER ONLY	H202821	1	1001759	4014486519563
16		AH139436	2	1001382	4014486474978
17		AH158880	2	1002861	4014486469400
9600					
1	COOLING FAN	H132808	1	No AP	
2	ROTARY SCREEN DRIVE	H143869	1	No AP	
4	AIR CONDITIONING COMPRESSOR DRIVE	H134437	1	No AP	
5	CLEAN GRAIN ELEVATOR DRIVE	H141166	1	1001394	4014486475128
6	CYLINDER DRIVE INTERMEDIATE	H115759	1	1001543	4014486460636
7	UNLOADING SYSTEM	AH127866	2	1003765	4014486469394
7	CYLINDER DRIVE REGULAR DUAL RANGE	H115881	1	1003663	4014486490817
8	TAILINGS AUGER AND ELEVATOR (LOWER)	N110085	1	1000702	4014486470857
9	FOR ALTERNATOR	H134344	1	No AP	
10	COUNTERSHAFT (SECONDARY)	H128010	1	1000797	4014486472165
11	STRAW WALKER SHOE - CONVEYOR AUGERS	H131169	1	1001392	4014486475104
12		AH127866	2	1003765	4014486469394
13	STRAW CHOPPER DRIVE, FRONT	H125380	1	1000791	4014486472073
13	LONG REAR	H125381	1	1000778	4014486471885
14	REGULAR	H140404	1	1001434	4014486459425



JOHN DEERE

15	HEADER AND REEL PUMP	H125565	1	No AP	
15	HEADER AND REEL PUMP	H140160	1	1003570	4014486497014
16	FEEDER DRIVE VARIABLE SPEED	H125711	1	No AP	
17	BEATER (100 PERCENT BEATER SPEED)	AH139436	2	1001382	4014486474978
18	FEEDER HOUSE FIXED SPEED WITH REVERSER	H126345	1	1001124	4014486497106
19	STRAW SPREADER DRIVE	H128234	1	1000419	4014486466829
9610					
1	AIR CONDITIONING COMPRESSOR	H163515	1	1003209	4014486482256
3	ALTERNATOR	H163515	1	1003209	4014486482256
4	BEATER DRIVE (100 PERCENT)	AH139436	2	1001382	4014486474978
4	BEATER DRIVE (75 PERCENT)	AH163931	2	1001381	4014486474961
5	CHOPPER IN REAR (OPERATING) POSITION	H125381	1	1000778	4014486471885
5	CHOPPER IN WINDROW OR FORWARD POSITION	H23950	1	1000682	4014486470581
6	CLEAN GRAIN ELEVATOR	H141167	1	1004088	4014486520088
7	COOLING FAN	H153297	1	1001551	4014486484502
8	CYLINDER DR. REGULAR DUAL RANGE & SINGLE RANGE	H115881	1	1003663	4014486490817
8	CYLINDER INTERMEDIATE DRIVE	H210476	1	1001543	4014486460636
9	ENGINE FAN	H153297	1	1001551	4014486484502
10	FEEDER HOUSE VARIABLE SPEED	H161648	1	No AP	
11	FIXED SPEED FEEDER HOUSE WITH REVERSER	H126345	1	1001124	4014486497106
12	FOR EXTENDED RANGE	H210476	1	1001543	4014486460636
13	HEADER AND REEL PUMP	H151952	1	1003570	4014486497014
14	LOWER TAILINGS AUGER & ELEVATOR	N110085	1	1000702	4014486470857
15	ROTARY SCREEN	H145158	1	No AP	
15	ROTARY SCREEN DRIVE	H146636	1	1004193	4014486558487
16	SECONDARY COUNTERSHAFT	H128010	1	1000797	4014486472165
17	SHOE, STRAW WALKER & CONVEYOR AUGERS	H131169	1	1001392	4014486475104
18	STRAW CHOPPER DRIVE, FRONT	H125380	1	1000791	4014486472073
18	STRAW CHOPPER DRIVE, REGULAR SPEED	H152146	1	1001435	4014486459432
18	STRAW CHOPPER DRIVE, SLOW SPEED	H152180	1	1001431	4014486459395
19	STRAW SPREADER	H128234	1	1000419	4014486466829
20	UNLOADING SYSTEM	AH158880	2	1002861	4014486469400
9640					
1	9640	H175632	1	1004469	4014486712117
2		H115881	1	1003663	4014486490817
3		H177263	1	1001394	4014486475128
4		N110085	1	1000702	4014486470857
6		H146636	1	1004193	4014486558487
7	9640	H177186	1	1003223	4014486482508
8		H176765	1	1001789	4014486519686
10		H177177	1	1001905	4014486489668
11		H152146	1	1001435	4014486459432
12		H176766	1	1001756	4014486519556
13	FOR HILLMASTER ONLY	H202821	1	1001759	4014486519563
15		AH139436	2	1001382	4014486474978
16		AH158880	2	1002861	4014486469400
9650					
1	AIR CONDITIONING COMPRESSOR	H163515	1	1003209	4014486482256
1		R164820	1	1003114	4014486480641
2	ALTERNATOR (95 AMP) (-695300)	H163515	1	1003209	4014486482256
2	ALTERNATOR (185 AMP) (-695300)	H166870	1	1004090	4014486520521
2	ALTERNATOR (185 AMP) (695301-)	R164820	1	1003114	4014486480641



JOHN DEERE

3	BEATER DRIVE (100%)	AH139436	2	1001382	4014486474978
3	BEATER DRIVE (75%)	AH163931	2	1001381	4014486474961
4	CLEAN GRAIN ELEVATOR	H141166	1	1001394	4014486475128
5	CLEANING FAN (750 - 1350 RPM)	H152146	1	1001435	4014486459432
5	CLEANING FAN (490 - 980 RPM)	H152180	1	1001431	4014486459395
6	COOLING FAN (-695300)	H153297	1	1001551	4014486484502
6	COOLING FAN (695301-)	H177186	1	1003223	4014486482508
7	COUNTERSHAFT SECONDARY	H128010	1	1000797	4014486472165
8	CYLINDER DRIVE (240 - 960 RPM)	H115881	1	1003663	4014486490817
8	CYLINDER INTERMEDIATE DRIVE BELT	H210476	1	1001543	4014486460636
10	FEEDER HOUSE VARIABLE SPEED (-700300)	H161648	1	No AP	
12	FIXED SPEED FEEDER HOUSE W/REVERSER (-700300)	H126345	1	1001124	4014486497106
12	FIXED SPEED FEEDER HOUSE W/REVERSER (700301-)	H156796	1	1004269	4014486683301
13	HEADER AND REEL PUMP (STANDARD)	H151952	1	1003570	4014486497014
13	HEADER AND REEL PUMP (HIGH CAP.)	H155998	1	1000764	4014486471670
14	LOWER TAILINGS AUGER & ELEVATOR	N110085	1	1000702	4014486470857
15	ROTARY SCREEN (-655300)	H145158	1	No AP	
15	ROTARY SCREEN DRIVE (695301-)	H146636	1	1004193	4014486558487
15	ROTARY SCREEN (695301-)	H175632	1	1004469	4014486712117
16	SHOE, STRAW WALKER & CONVEYOR AUGERS	H131169	1	1001392	4014486475104
17	STRAW CHOPPER (STANDARD BALING)	H23950	1	1000682	4014486470581
18	STRAW SPREADER	H128234	1	1000419	4014486466829
19	UNLOADING SYSTEM	AH158880	2	1002861	4014486469400
9660					
1	9660 / 9680	H175628	1	1000180	4014486462098
2		H115881	1	1003663	4014486490817
3		H177263	1	1001394	4014486475128
4		N110085	1	1000702	4014486470857
6		H146636	1	1004193	4014486558487
7	9660 / 9680	H174455	1	1003217	4014486482454
8		H176765	1	1001789	4014486519686
10		H177177	1	1001905	4014486489668
11		H152146	1	1001435	4014486459432
12		H176766	1	1001756	4014486519556
13	FOR HILLMASTER ONLY	H202821	1	1001759	4014486519563
15		AH139436	2	1001382	4014486474978
16		AH158880	2	1002861	4014486469400
9680					
1	9660 / 9680	H175628	1	1000180	4014486462098
2		H115881	1	1003663	4014486490817
3		H177263	1	1001394	4014486475128
4		N110085	1	1000702	4014486470857
6		H146636	1	1004193	4014486558487
7	9660 / 9680	H174455	1	1003217	4014486482454
8		H176765	1	1001789	4014486519686
10		H177177	1	1001905	4014486489668
11		H152146	1	1001435	4014486459432
12		H176766	1	1001756	4014486519556
13	FOR HILLMASTER ONLY	H202821	1	1001759	4014486519563
15		AH139436	2	1001382	4014486474978
16		AH158880	2	1002861	4014486469400



JOHN DEERE

9880

2	SEPARATOR VARIATOR HIGH HP	H207851	1	No AP	
3	SEPARATOR VARIATOR	H208431	1	No AP	
5	STRAW CHOPPER DRIVE	H217352	1	1001772	4014486519617

9935

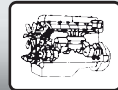
1		R123465	1	1003221	4014486482485
---	--	---------	---	---------	---------------

9980

1	CLEAN GRAIN ELEVATOR DRIVE	H158512	1	1000853	4014486472844
2		H154723	1	1000738	4014486471335
3		AH150678	2	1002892	4014486470192
5	SHOE FAN AND CONVEYOR AUGERS	H175587	1	1004166	4014486523003
6	CLEANING FAN DRIVE	H165072	1	1001425	4014486459326
8		H154731	1	1000586	4014486469073
9		H175628	1	1000180	4014486462098
10		H178037	1	1002433	4014486493115
11		R135609	1	1003196	4014486481891
12	STRAW CHOPPER (REAR)	H156541	1	1001785	4014486519662
14		AH160080	2	1000681	4014486470550
16		H168301	1	1000708	4014486470956
17	STRAW CHOPPER JACKSHAFT DRIVE	H174367	1	1004686	4014486717853
19		H174885	1	1001777	4014486519631

JOHN DEERE

		155538	1	1003090	4014486482676
		41959200	1	1004091	4014486473117
		84012974	1	1004093	4014486475791
		84238514	1	1004074	4014486520323
		4032807792	1	1004089	4014486520583
		4032807792	1	1004089	4014486520583
		7700068536	1	1004095	4014486481112
		01145789	2	1004094	4014486520019
		0554086.0	1	1004098	4014486520613
		0660316.0	1	1004099	4014486520606
		10VX00D	1	1004026	4014486519105
		600A01	1	1003993	4014486518702
		600A02	1	1003992	4014486518689
		600A07	1	1003999	4014486518887
		600A11	1	1003991	4014486518665
		600A16	1	1004004	4014486518955
		9351,0198.00	1	1004019	4014486519457
		AH228935	1	1004563	4014486721997
		AH233198	2	1004464	4014486715651
		AH236689	2	1000768	4014486471755
		AJ58940	1	1002580	4014486495591
		AS26639	2	1004882	4014486719062
		AS33603	1	1004855	4014486719864
		AXE10455	1	No AP	
		AXE10456	1	1004660	4014486718751
		AXE17661	1	No AP	
		AXE17662	1	No AP	
		AXE22550	1	No AP	
		AXE22550	1	No AP	



JOHN DEERE

	AXE24473	1	1004499	4014486717037
	AXE25334	2	1004856	4014486718485
	AXE26321	2	1004626	4014486717587
	AXE27897	1	No AP	
	AXE29294	3	1004730	4014486719000
	AXE33418	2	1004564	4014486718461
	AXE33760	1	1002913	4014486484601
	AYC10132	2	1004882	4014486719062
	AYC10133	1	1004855	4014486719864
	AZ100807	3	1003826	4014486464559
	AZ100808	3	1003827	4014486464627
	AZ100809	3	1003828	4014486464702
	AZ100810	3	1003829	4014486464764
	AZ101386	3	1004731	4014486719017
	AZ25400	2	1002206	4014486477573
	AZ40077	2	1002843	4014486464085
	AZ41136	2	1002894	4014486469615
	AZ43804	2	1002819	4014486464443
	AZ43805	2	1000202	4014486462401
	AZ45824	2	1004803	4014486720471
	AZ46283	2	1002348	4014486478815
	AZ58519	1	1004672	4014486720600
	AZ61336	3	1003831	4014486474565
	AZ63883	2	1004416	4014486714821
	AZY83541	1	1004838	4014486719345
	B28170	1	1003106	4014486497953
	C17165	1	No AP	
	C19647	1	No AP	
	C22534	1	1000228	4014486463088
	CC100317	1	1003632	4014486488579
	CC100318	1	1001831	4014486488548
	CC100752	1	1003654	4014486489675
	CC100753	1	1001899	4014486489583
	CC100754	1	1001894	4014486489538
	CC102733	1	1001841	4014486488708
	CC107199	1	1004789	4014486721201
	CC109629	1	1004800	4014486720440
	CC119474	1	1004807	4014486720419
	CC18089	1	1000550	4014486468380
	CC19065	1	1001004	4014486487862
	CC21115	1	1001006	4014486487886
	CC26949	1	1001826	4014486488470
	CC26973	1	1001814	4014486488272
	CC32123	1	1004607	4014486719338
	CC32124	1	1004823	4014486720396
	CC38627	1	1002334	4014486478662
	CC38702	1	1004568	4014486717334
	CC38984	1	1004825	4014486720402
	CQ00626	1	1001126	4014486497120
	CQ00628	1	1001758	4014486487411
	CQ02867	1	No AP	
	CQ03160	1	No AP	
	CQ03265	1	1000603	4014486469370
	CQ03283	1	1002874	4014486472837
	CQ03457	1	1000684	4014486470628



JOHN DEERE

	CQ03478	1	1000402	4014486466652
	CQ03492	1	1002811	4014486462920
	CQ05106	1	1001523	4014486460421
	CQ05208	1	1001123	4014486497090
	CQ06153	1	No AP	
	CQ08238	1	1000150	4014486461695
	CQ08239	1	1000151	4014486461718
	CQ12236	1	1000109	4014486461138
	CQ13375	1	1003404	4014486463255
	CQ13673	1	1000085	4014486460827
	CQ13800	1	1000035	4014486460728
	CQ17755	1	1000225	4014486463033
	CQ24186	1	1000363	4014486466225
	CQ24340	1	1000132	4014486461480
	CQ28344	1	1001736	4014486487206
	CQ31965	1	1001584	4014486484915
	CQ33577	1	1002520	4014486494358
	CQ33886	1	No AP	
	CQ34122	1	1002524	4014486494426
	CQ34237	1	1000129	4014486461442
	CQ34345	1	1001631	4014486485769
	CQ35417	1	1002655	4014486481327
	CQ35426	1	1001867	4014486489071
	CQ35531	1	1001565	4014486484687
	CQ35559	1	1001731	4014486487152
	CQ37755	1	1002427	4014486493047
	CQ39824	1	1001734	4014486487183
	CQ40221	1	1003955	4014486481105
	CQ40222	1	1001563	4014486484656
	CQ42066	1	1003143	4014486481006
	CQ42150	1	1000650	4014486470123
	CQ45617	1	1003783	4014486480856
	CQ48048	1	1001634	4014486485820
	CQ50143	1	1003238	4014486482713
	CQ50144	1	1003188	4014486481761
	CQ51920	1	1003131	4014486482683
	CQ51921	1	1003817	4014486481709
	CQ53362	1	1000610	4014486469479
	CQ53363	1	1001263	4014486492231
	CQ53364	1	1001886	4014486489422
	CQ53367	1	1003612	4014486486322
	CQ53369	1	1000244	4014486520156
	CQ53370	1	1001546	4014486460667
	CQ53371	1	1000592	4014486469189
	CQ53372	1	1001838	4014486488647
	CQ57311	2	1002749	4014486461510
	CQ58873	1	1003235	4014486482669
	CQ58875	1	1003183	4014486481662
	CQ61084	1	1004375	4014486714203
	CQ62911	1	1001137	4014486490169
	CQ62912	1	1001028	4014486487824
	CQ71838	1	1004693	4014486716436
	CQ71839	1	1004694	4014486716443
	DQ05106	1	No AP	
	DQ06154	1	No AP	



JOHN DEERE

	DQ20810	1	1002560	4014486495102
	DQ23754	1	1002591	4014486495874
	DQ29594	2	1001107	4014486496895
	E41055	1	No AP	
	E46113	1	1003505	4014486469196
	EP0020	1	1000220	4014486462838
	FH10164	1	1001838	4014486488647
	FH10165	1	1001844	4014486488739
	FH305097	1	1004571	4014486717365
	H105040	1	1001968	4014486490794
	H138761	1	1000701	4014486470840
	H139436	1	No AP	
	H157105	1	No AP	
	H157523	1	1001633	4014486485783
	H160080	1	1000680	4014486470543
	H160831	1	1004455	4014486715569
	H161945	1	1004251	4014486675979
	H162310	1	1004598	4014486717914
	H163576	1	1001965	4014486490756
	H164368	1	1003830	4014486519747
	H166457	1	No AP	
	H166759	1	1000857	4014486472912
	H170047	1	1001548	4014486484472
	H172610	1	1003244	4014486482799
	H173024	1	No AP	
	H173832	1	1002685	4014486482546
	H174456	1	1003114	4014486480641
	H174457	1	1001777	4014486519631
	H175631	1	1004382	4014486714524
	H176536	1	1003126	4014486480795
	H176882	1	1001088	4014486496703
	H177442	1	1001917	4014486489835
	H177887	1	No AP	
	H178757	1	1003110	4014486480573
	H180896	1	No AP	
	H201571	1	1001633	4014486485783
	H201794	1	1000671	4014486470390
	H201916	1	1002436	4014486493146
	H204133	1	1004197	4014486675504
	H205169	1	No AP	
	H205240	1	1003230	4014486482621
	H206738	1	1001393	4014486475111
	H210001	1	1000678	4014486470512
	H210003	1	1000650	4014486470123
	H216026	1	1004130	4014486523126
	H221324	1	1000678	4014486470512
	H221327	1	1000650	4014486470123
	H224185	1	1001606	4014486485325
	H228261	1	1001996	4014486491203
	H228348	1	1004686	4014486717853
	H228523	1	1004618	4014486717488
	H232237	1	1000685	4014486470635
	H234704	1	No AP	
	H238679	1	1004355	4014486713992
	H238867	1	1004367	4014486714104



JOHN DEERE

	H238869	1	1004798	4014486719468
	H238870	1	1004794	4014486719512
	H238871	1	1004790	4014486719475
	H240885	1	1000708	4014486470956
	H240888	1	1004890	4014486720587
	H240895	1	1004060	4014486518771
	H240972	1	1003528	4014486470277
	H240974	1	1004594	4014486717877
	H241000	1	No AP	
	H241000	1	No AP	
	H241212	1	1004850	4014486717204
	H241230	1	No AP	
	H241230	1	No AP	
	HXE10785	1	1003785	4014486481297
	HXE11255	1	1004137	4014486523416
	HXE12425	1	1004588	4014486717808
	HXE12426	1	1004573	4014486717389
	HXE12427	1	1004572	4014486717372
	HXE13951	1	1004604	4014486718508
	HXE13957	1	1004603	4014486718492
	HXE15546	1	1004816	4014486719352
	HXE15547	1	1004817	4014486719369
	HXE15556	1	1004475	4014486715743
	HXE15594	1	1004058	4014486518337
	HXE16928	1	1004551	4014486719871
	HXE17071	1	1002643	4014486480689
	HXE17164	1	1001576	4014486484816
	HXE17475	1	No AP	
	HXE19401	1	1004502	4014486717068
	HXE20763	1	1004534	4014486718409
	HXE22617	1	No AP	
	HXE24085	1	1004352	4014486713961
	HXE24086	1	1003368	4014486461060
	HXE24210	1	1000693	4014486470741
	HXE24687	1	1003159	4014486481235
	HXE24688	1	1003129	4014486480832
	HXE28843	1	1003221	4014486482485
	HXE29021	2	1004856	4014486718485
	HXE34473	1	1004535	4014486718393
	HXE34567	1	1004386	4014486713930
	HXE35822	1	1004868	4014486716344
	HXE35957	1	1004417	4014486714838
	HXE35958	1	1000124	4014486461367
	HXE36535	1	No AP	
	HXE38000	1	1004892	4014486717075
	HXE39119	1	1004606	4014486718522
	HXE39397	1	1001612	4014486485400
	HXE41402	1	1001196	4014486482034
	HXE43172	1	No AP	
	HXE43428	1	1003142	4014486480993
	HXE43696	1	No AP	
	HXE44273	1	1004372	4014486714173
	HXE46027	1	No AP	
	HXE46515	1	1004315	4014486715941
	HXE47062	1	No AP	



JOHN DEERE

	HXE51300	1	1001394	4014486475128
	J57007	1	1002735	4014486496178
	J57065	1	1002737	4014486496192
	J57234	1	1002514	4014486494266
	L101166	1	1003205	4014486482102
	L110391	1	1003210	4014486482263
	L110599	1	1003091	4014486480368
	L11060	1	1001286	4014486482300
	L110600	1	1002633	4014486480375
	L110602	1	1002671	4014486482096
	L110603	1	1002672	4014486482119
	L110607	1	1003214	4014486482355
	L110608	1	1003216	4014486482393
	L110609	1	1003220	4014486482478
	L111087	1	No AP	
	L111148	1	1002635	4014486480399
	L111169	1	1002634	4014486480382
	L111602	1	1003244	4014486482799
	L111685	1	1003788	4014486481426
	L111801	1	1003799	4014486482553
	L111933	1	1003223	4014486482508
	L114286	1	1003815	4014486481686
	L114290	1	1003754	4014486482607
	L114292	1	1003242	4014486482751
	L114293	1	1003248	4014486482836
	L114468	1	1003245	4014486482805
	L114487	1	1003184	4014486481679
	L115657	1	1003214	4014486482355
	L115658	1	1003087	4014486482409
	L115659	1	No AP	
	L115660	1	1002669	4014486482072
	L115661	1	1002671	4014486482096
	L166309	1	1003790	4014486482690
	L172523	1	1004675	4014486720617
	L200916	1	1002696	4014486483147
	L201806	1	1002693	4014486483109
	L202229	1	1002697	4014486483154
	L202230	1	1002694	4014486483123
	L203293	1	1002695	4014486483130
	L203294	1	1004695	4014486716450
	L203295	1	1002698	4014486483161
	L203307	1	1004691	4014486716429
	L79344	1	1002679	4014486482225
	L79943	1	1003206	4014486482164
	L79945	1	1003220	4014486482478
	M45862	1	1000108	4014486461121
	M82461	1	1000098	4014486460988
	N153524	1	1003063	4014486497977
	N154241	1	1003064	4014486497922
	N157368	1	1003060	4014486558883
	N157369	1	1003061	4014486497915
	N371322	1	1003121	4014486480740
	P51165	1	1003755	4014486463507
	PT9483	1	No AP	
	R107324	1	1003810	4014486480719



JOHN DEERE

	R108842	1	1003816	4014486481693
	R115257	1	1003092	4014486480313
	R116492	1	1000990	4014486481792
	R118318	1	1003220	4014486482478
	R120524	1	1003791	4014486481822
	R120852	1	1003164	4014486481365
	R122126	1	1003135	4014486480924
	R123292	1	1003798	4014486482379
	R123293	1	No AP	
	R123294	1	1003140	4014486480962
	R123296	1	1003142	4014486480993
	R123306	1	1003149	4014486481082
	R123307	1	1003134	4014486480917
	R123308	1	1003955	4014486481105
	R123432	1	1003141	4014486480986
	R123436	1	1003145	4014486481044
	R123437	1	1003139	4014486480955
	R123438	1	1003144	4014486481013
	R123439	1	1003136	4014486480931
	R123440	1	1003811	4014486480979
	R123441	1	1003782	4014486481037
	R123442	1	1003146	4014486481051
	R123445	1	1003148	4014486481075
	R123449	1	1003138	4014486480948
	R123450	1	1003143	4014486481006
	R123454	1	1002651	4014486481143
	R123456	1	1003147	4014486481068
	R123457	1	1003156	4014486481181
	R123458	1	1003158	4014486481204
	R123460	1	1002652	4014486481259
	R123461	1	1002650	4014486481136
	R123462	1	1003153	4014486481150
	R123463	1	1003152	4014486481129
	R123464	1	1003154	4014486481167
	R123466	1	1003223	4014486482508
	R123468	1	1003157	4014486481198
	R123470	1	1003222	4014486482492
	R123522	1	1003198	4014486481914
	R124785	1	1003118	4014486480702
	R124786	1	No AP	
	R125361	1	1003193	4014486481860
	R125752	1	1002655	4014486481327
	R128196	1	1003161	4014486481303
	R128197	1	1003787	4014486481389
	R128198	1	1003169	4014486481464
	R128199	1	1003172	4014486481495
	R128200	1	1002660	4014486481549
	R128201	1	1003176	4014486481570
	R128202	1	1003178	4014486481594
	R128203	1	1003180	4014486481617
	R128204	1	1002662	4014486481747
	R128205	1	1003191	4014486481846
	R128206	1	1003195	4014486481884
	R128208	1	1003199	4014486481938
	R128209	1	1003200	4014486481952



JOHN DEERE

	R128806	1	1003075	4014486484168
	R129083	1	1003791	4014486481822
	R129738	1	1002686	4014486482720
	R130478	1	1003078	4014486484205
	R130852	1	1003128	4014486480825
	R130899	1	1003253	4014486482904
	R131433	1	1002683	4014486482430
	R131436	1	No AP	
	R132159	1	1003248	4014486482836
	R132925	1	1003081	4014486484243
	R133402	1	1003216	4014486482393
	R133518	1	1003195	4014486481884
	R133693	1	1003119	4014486480726
	R133694	1	1003111	4014486480580
	R133695	1	1003108	4014486480542
	R133696	1	1003112	4014486480603
	R133697	1	1003814	4014486481624
	R133699	1	1003127	4014486480818
	R133700	1	1003122	4014486480757
	R133701	1	1003117	4014486480672
	R133702	1	No AP	
	R133704	1	1003071	4014486484120
	R133705	1	1003070	4014486484113
	R133706	1	1003074	4014486484151
	R133707	1	1003080	4014486484229
	R133852	1	1003073	4014486484144
	R133853	1	1003203	4014486482058
	R134299	1	1002669	4014486482072
	R134594	1	1003230	4014486482621
	R134599	1	No AP	
	R134625	1	1003155	4014486481174
	R134630	1	1003077	4014486484199
	R134631	1	1003079	4014486484212
	R134634	1	1003076	4014486484175
	R134635	1	1003113	4014486480634
	R134636	1	1003109	4014486480559
	R134637	1	1000982	4014486481723
	R134638	1	1003124	4014486480771
	R135169	1	1003133	4014486480900
	R135188	1	1003234	4014486482645
	R135189	1	1003229	4014486482614
	R135192	1	1002652	4014486481259
	R135193	1	1002679	4014486482225
	R135194	1	1003224	4014486482515
	R135195	1	1003155	4014486481174
	R135198	1	1003260	4014486482782
	R135200	1	1003165	4014486481372
	R135568	1	1003164	4014486481365
	R135589	1	1003159	4014486481235
	R135590	1	1003161	4014486481303
	R135591	1	1003787	4014486481389
	R135592	1	1003167	4014486481440
	R135593	1	1003169	4014486481464
	R135594	1	1003170	4014486481471
	R135595	1	1003171	4014486481488



JOHN DEERE

	R135596	1	1003172	4014486481495
	R135597	1	1003178	4014486481594
	R135598	1	1003174	4014486481525
	R135599	1	1002660	4014486481549
	R135600	1	1003176	4014486481570
	R135601	1	1003180	4014486481617
	R135602	1	1003184	4014486481679
	R135603	1	1002662	4014486481747
	R135604	1	1003189	4014486481785
	R135605	1	1003190	4014486481815
	R135607	1	1003194	4014486481877
	R135608	1	1003195	4014486481884
	R135611	1	1003200	4014486481952
	R135612	1	1003246	4014486482812
	R135613	1	1003248	4014486482836
	R135614	1	1003804	4014486482942
	R135615	1	1002687	4014486482850
	R135663	1	1003802	4014486482881
	R135664	1	1003254	4014486482911
	R135665	1	1003256	4014486482973
	R135680	1	1003158	4014486481204
	R135681	1	1003143	4014486481006
	R135824	1	1003174	4014486481525
	R135826	1	1003749	4014486481228
	R135977	1	1003749	4014486481228
	R136284	1	1003209	4014486482256
	R136535	1	1003163	4014486481358
	R156049	1	1003237	4014486482706
	R156050	1	1003239	4014486519327
	R175712	1	1003180	4014486481617
	R175825	1	1003068	4014486484090
	R175826	1	1003192	4014486481853
	R181917	1	1003245	4014486482805
	R181918	1	1003264	4014486483079
	R202628	1	1003243	4014486482768
	R211183	1	1003119	4014486480726
	R239551	1	No AP	
	R300380	1	No AP	
	R300399	1	No AP	
	R500089	1	1003166	4014486481402
	R500090	1	1003249	4014486482843
	R500244	1	1003219	4014486482461
	R500377	1	1003152	4014486481129
	R500378	1	1003240	4014486482737
	R500379	1	No AP	
	R500380	1	1003088	4014486482539
	R500381	1	1003217	4014486482454
	R500382	1	1003089	4014486482577
	R500383	1	1003955	4014486481105
	R500384	1	1003148	4014486481075
	R500385	1	1003242	4014486482751
	R500616	1	No AP	
	R501007	1	1003132	4014486480894
	R501017	1	1003130	4014486480887
	R501053	1	1003160	4014486481242



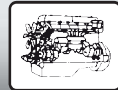
JOHN DEERE

	R501191	1	1003258	4014486483017
	R501266	1	1003120	4014486480733
	R501308	1	1003241	4014486482744
	R501526	1	1003265	4014486483000
	R502016	1	1003204	4014486482065
	R502078	1	1003259	4014486483024
	R502086	1	1003197	4014486481907
	R502089	1	1003262	4014486482829
	R502186	1	1003193	4014486481860
	R502306	1	1003082	4014486484250
	R502416	1	1003754	4014486482607
	R502417	1	1001196	4014486482034
	R502418	1	1002665	4014486481983
	R502461	1	No AP	
	R502476	1	1003168	4014486481457
	R503311	1	1003072	4014486484137
	R503323	1	1003066	4014486484076
	R503324	1	1003123	4014486480764
	R503571	1	1003250	4014486482867
	R503726	1	1003129	4014486480832
	R503932	1	1003208	4014486482218
	R504022	1	1002651	4014486481143
	R504023	1	1003225	4014486482522
	R504618	1	1003220	4014486482478
	R504963	1	1003142	4014486480993
	R505186	1	1003749	4014486481228
	R505812	1	1003094	4014486480436
	R515127	1	1001017	4014486481921
	R515209	1	1003210	4014486482263
	R515217	1	1003095	4014486480443
	R515219	1	1003096	4014486480429
	R515220	1	1003097	4014486480450
	R517012	1	1003099	4014486480504
	R517039	1	1003100	4014486480498
	R517041	1	1003101	4014486480481
	R94373	1	1003812	4014486481310
	R98510	1	1003784	4014486481266
	S07074	1	1001757	4014486487404
	S07075	1	1001112	4014486496956
	S13042	1	1001412	4014486459197
	S165708	1	No AP	
	S17044	1	1000033	4014486460704
	S17045	1	1000144	4014486461626
	S26382	1	No AP	
	S33510	1	1000609	4014486469486
	S33512	1	1004198	4014486485141
	S33602	1	No AP	
	S33607	1	1004199	4014486675498
	S33721	1	No AP	
	S37687	1	No AP	
	S60001	1	1000569	4014486468779
	S60004	1	1000569	4014486468779
	S60011	1	1001851	4014486488852
	S60016	1	1000553	4014486468434
	S60018	1	1000623	4014486469684



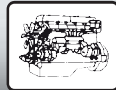
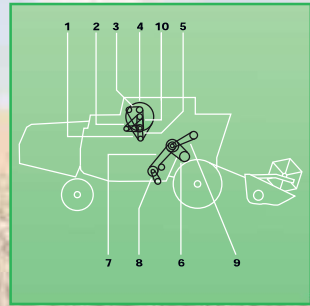
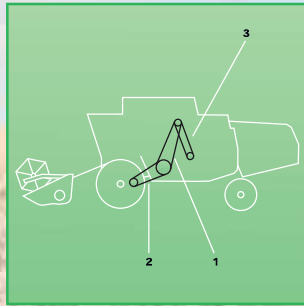
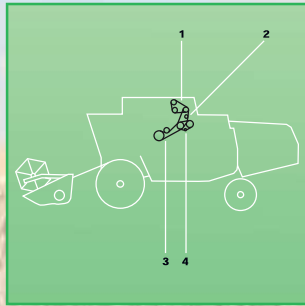
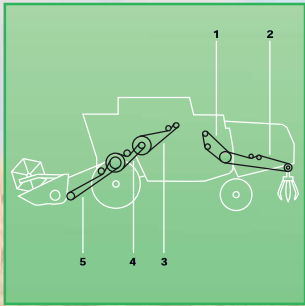
JOHN DEERE

	S60021	1	1001996	4014486491203
	S60022	1	1000607	4014486469455
	SA00101	1	1000703	4014486470871
	SA00201	1	1000717	4014486471076
	SA00301	1	1000538	4014486468199
	SA00401	1	1000646	4014486470062
	SA00501	1	No AP	
	SA00601	1	1000686	4014486470642
	SA35274	1	1004326	4014486720945
	SA35425	1	1004334	4014486721461
	SA36024	1	1004320	4014486721485
	SA36101	1	1004321	4014486720891
	SA36130	1	1004674	4014486713886
	SA36192	1	1004323	4014486720914
	SA36521	1	1004815	4014486721195
	SA36523	1	1004328	4014486720969
	SA36536	1	1004309	4014486713909
	SA36701	1	1004324	4014486720921
	SA36717	1	1004325	4014486720938
	SAU10552	1	1004331	4014486720990
	SAU10691	1	1004335	4014486721478
	SAU11073	1	1004336	4014486721003
	SAU11158	1	1004332	4014486721454
	SAU11284	1	1004333	4014486721447
	SAU11321	1	1004327	4014486720952
	SAU11644	1	1004329	4014486720976
	SAU11645	1	1004330	4014486720983
	SAU12081	1	1004322	4014486720907
	T148208	1	1003175	4014486481556
	T155457	1	1002655	4014486481327
	T160034	1	1003171	4014486481488
	T160036	1	1003181	4014486481631
	T164949	1	1002643	4014486480689
	T166823	1	1003115	4014486480658
	T178409	1	1003171	4014486481488
	T178410	1	1003162	4014486481341
	T178411	1	1003806	4014486483031
	T178412	1	1003257	4014486482997
	T178413	1	1003174	4014486481525
	T178414	1	1003166	4014486481402
	T178415	1	1003147	4014486481068
	T178416	1	1003251	4014486482874
	T178417	1	1003154	4014486481167
	T178418	1	1003116	4014486480665
	T178419	1	1002662	4014486481747
	T178420	1	1003143	4014486481006
	T178421	1	1003791	4014486481822
	T178422	1	1003156	4014486481181
	T178423	1	1003200	4014486481952
	T178465	1	No AP	
	T178536	1	1003179	4014486481600
	T178538	1	1003813	4014486481501
	T178539	1	No AP	
	T178548	1	1003808	4014486483093
	T180368	1	1003233	4014486482638



JOHN DEERE

	T182169	1	1003086	4014486484304
	T184590	1	1003229	4014486482614
	T184592	1	1003184	4014486481679
	T184594	1	1003749	4014486481228
	T184595	1	1003225	4014486482522
	T185061	1	1003172	4014486481495
	T185081	1	1003182	4014486481648
	T186776	1	1002650	4014486481136
	T187391	1	1003085	4014486484298
	T187704	1	No AP	
	T189016	1	No AP	
	T190384	1	1003225	4014486482522
	T190809	1	1002658	4014486481433
	T190810	1	No AP	
	T190817	1	1003176	4014486481570
	VK648204	1	1004584	4014486717761
	VK648215	1	1001826	4014486488470
	VK648216	1	1004589	4014486717815
	VK648223	3	1004395	4014486714616
	Z101214	1	1004349	4014486716122
	Z103479	1	1004381	4014486714517
	Z103583	1	1004753	4014486719116
	Z103861	1	1004467	4014486715699
	Z103867	1	1000701	4014486470840
	Z104104	1	1004884	4014486719130
	Z104978	1	1004885	4014486719154
	Z105041	1	1003590	4014486460629
	Z105506	1	1002642	4014486480627
	Z106227	1	No AP	
	Z21399	1	No AP	
	Z22556	1	No AP	
	Z23087	1	1004454	4014486715552
	Z23475	1	1004841	4014486715453
	Z23476	1	1004841	4014486715453
	Z24729	1	1004842	4014486715590
	Z25670	1	1001118	4014486497038
	Z27710	1	1001102	4014486496840
	Z28842	1	1003571	4014486496994
	Z30881	1	1000766	4014486471694
	Z31867	1	No AP	
	Z32158	1	1004437	4014486715361
	Z34121	1	1003586	4014486460049
	Z35357	1	1003621	4014486487046
	Z35358	1	1003361	4014486485752
	Z36376	1	1001452	4014486459609
	Z36499	1	1003543	4014486470932
	Z36770	1	1003752	4014486471489
	Z36771	1	1001682	4014486486537
	Z37121	1	1004106	4014486522815
	Z38699	1	1003389	4014486462517
	Z38708	1	1003497	4014486468830
	Z39750	1	1004673	4014486713879
	Z43808	1	1002354	4014486478877
	Z44762	1	1001723	4014486487060
	Z48472	1	1004727	4014486716535

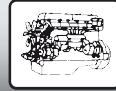


JOHN DEERE

		Z51089	1	1001689	4014486486636
		Z51202	1	1001733	4014486487176
		Z52009	1	1002575	4014486495478
		Z53478	1	1001737	4014486487213
		Z54332	1	1004183	4014486554380
		Z56313	1	1000305	4014486465105
		Z56351	1	1004184	4014486554342
		Z56352	1	1004185	4014486554359
		Z56829	1	1000316	4014486465334
		Z59435	1	No AP	
		Z59930	1	1001734	4014486487183
		Z63322	1	1003832	4014486475074
		Z66787	1	1001097	4014486496796
		Z66873	1	1001924	4014486489927
		Z67285	1	1000299	4014486464955
		Z67326	1	1001926	4014486489941
		Z73506	1	1003268	4014486482294
		Z73879	1	1000631	4014486469837
		Z75245	1	1003201	4014486481976
		Z75246	1	1003266	4014486483116
		Z77222	1	1002692	4014486483086
		Z78834	1	1004069	4014486520200
		Z78860	1	No AP	
		Z81070	1	1003083	4014486484274
		Z81937	1	1004809	4014486720501
		ZY86859	1	1004384	4014486714548
		ZY87107	1	No AP	
		ZY94047	1	1004431	4014486715309
		ZY94115	1	1000671	4014486470390
		ZY95337	1	1000796	4014486472158
		ZY96551	1	1004433	4014486715323
		ZY96558	1	1000680	4014486470543

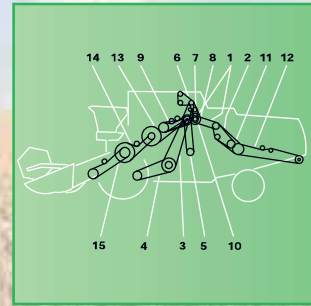
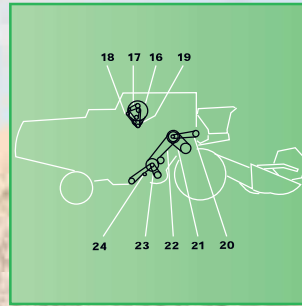
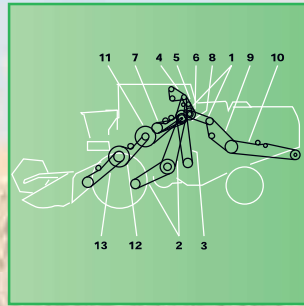
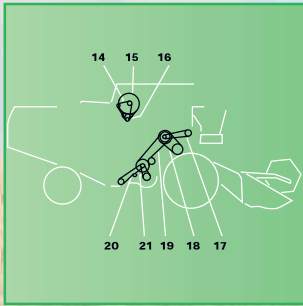
1072 - 1075 - 1075 HYDRO 4

1	FAN DRIVE - 1075 (TO NR 44386)	AR72036	1	1002351	4014486478846
4	1072 (FROM NR. 39787) - 1075-1075 HY4 (FROM NR. 44387)	Z34786	1	1000040	4014486460773
4	ROTARY SCREEN - 1075 HY 4 (TO NR. 44386)	Z37192	1	1004106	4014486522815
5	ROTARY SCREEN 1072 - 1075	Z32190	1	1000002	4014486458985
5	ROTARY SCREEN - 1075 HY 4 (TO NR. 44386)	Z37191	1	1004105	4014486522761
5	ROTARY SCREEN - 1075 HY 4 (FROM NR. 44387)	Z45191	1	1000003	4014486458992
6	CYLINDER VARIATOR DRIVE (1072)	Z20823	1	1003587	4014486460230
6	CYLINDER DRIVE - 1075 + 1075 HY 4	Z37473	1	1003589	4014486460315
7	FAN DRIVE VARIABLE SPEED	Z34405	1	1000675	4014486470475
8	FAN DRIVE VARIABLE SPEED	Z41178	1	1001396	4014486459012
9	FROM NR. 44137	Z45026	1	1000261	4014486464177
10	1075 HY 4 (FROM NR. 44387)	Z45192	1	1002425	4014486493023
11	SHAKER SHAFT DRIVE	Z35965	1	1000153	4014486461756
12	STRAW WALKER DRIVE	Z33774	1	1000401	4014486466645
13		Z33790	1	1001995	4014486491180
14	MAIN DRIVE (GRAIN)	Z21501	1	1001102	4014486496840
14	MAIN DRIVE - 1075/1075 HY 4 (MAIZE)	Z38186	1	1001647	4014486485998
15	CUTTING TABLE DRIVE - 1072	Z39313	1	1001109	4014486496925
15	CUTTING TABLE DRIVE - 1075/1075 HY 4	Z39314	1	1001121	4014486497076
21	AIR CONDITIONING COMPRESSOR DRIVE SUB. FOR Z41889	Z42756	1	1002350	4014486478839
22		Z42757	1	1003343	4014486462975



JOHN DEERE

23	HYDRAULIC PUMP DRIVE	Z34828	1	1003397	4014486462821
24	DISCHARGE BEATER DRIVE	Z47911	1	1000604	4014486469363
31	MAIN DRIVE (1075)	AZ22914	2	1002915	4014486496918
32	1075	Z34099	1	1001523	4014486460421
33	1075 HY 4	Z41728	1	1001828	4014486488494
41		Z43863	1	1000036	4014486460735
1075 HYDRO 4					
1	CUTTING TABLE DRIVE LEAD-IN	Z33790	1	1001995	4014486491180
2	DISCHARGE BEATER DRIVE	Z33368	1	1000603	4014486469370
3	AIR CONDITIONING COMPRESSOR DRIVE	CA22534	1	1000228	4014486463088
4	HYDROSTATIC PUMP DRIVE	Z34828	1	1003397	4014486462821
5	SHAKER SHAFT DRIVE	Z35965	1	1000153	4014486461756
7	LEAD-IN DRIVE	Z21501	1	1001102	4014486496840
7	LEAD-IN DRIVE	Z38186	1	1001647	4014486485998
8	CUTTING TABLE DRIVE	Z39314	1	1001121	4014486497076
10	ROTARY SCREEN DRIVE	Z34786	1	1000040	4014486460773
10	ROTARY SCREEN DRIVE	Z37192	1	1004106	4014486522815
11	ROTARY SCREEN DRIVE	Z37191	1	1004105	4014486522761
12	CYLINDER VARIATOR DRIVE	Z37473	1	1003589	4014486460315
13	FAN DRIVE VARIABLE SPEED	Z34405	1	1000675	4014486470475
14	FAN DRIVE VARIABLE SPEED	Z41178	1	1001396	4014486459012
16	REEL DRIVE VARIABLE SPEED	Z36813	1	1001397	4014486459036
17	REEL DRIVE VARIABLE SPEED	Z20562	1	1000753	4014486471526
18	HYDROSTATIC PUMP DRIVE	Z41728	1	1001828	4014486488494
22	STRAW WALKER DRIVE	Z33774	1	1000401	4014486466645
1085 - 1085 HYDRO 4					
2	FAN DRIVE (TO NR. 44386)	Z38703	1	1002344	4014486478778
4	ROTARY SCREEN - 1085 (TO NR. 44386) - 1085 HY4	Z38704	1	1000039	4014486460766
6	CYLINDER VARIATOR DRIVE	Z37473	1	1003589	4014486460315
7	FAN DRIVE VARIABLE SPEED	Z34405	1	1000675	4014486470475
8	FAN DRIVE VARIABLE SPEED	Z41178	1	1001396	4014486459012
9	1085 (FROM NR. 44387)	Z45191	1	1000003	4014486458992
10	1085 (FROM NR. 44387)	Z34786	1	1000040	4014486460773
12	1085 (FROM NR. 44387)	Z45192	1	1002425	4014486493023
12	1085 HY 4 (FROM NR. 44387)	Z45367	1	1002426	4014486493030
13	FROM NR. 44137	Z45026	1	1000261	4014486464177
21	SHAKER SHAFT DRIVE	Z35965	1	1000153	4014486461756
22	STRAW WALKER DRIVE	Z33774	1	1000401	4014486466645
23	CUTTING TABLE DRIVE LEAD-IN - 1085 (FROM NR. 44387)	Z33790	1	1001995	4014486491180
23	CUTTING TABLE DRIVE LEAD-IN - 1085 (TO NR. 44386) - 1085 HY4	Z38697	1	1001996	4014486491203
24		Z43890	1	1003643	4014486489156
31		Z42756	1	1002350	4014486478839
32	AIR CONDITIONING COMPRESSOR DRIVE (FROM NR. 33563)	Z42758	1	1000228	4014486463088
33	HYDRAULIC PUMP DRIVE	Z34828	1	1003397	4014486462821
34		Z47912	1	1000607	4014486469455
41	MAIN DRIVE (1085)	AZ22914	2	1002915	4014486496918
42	MAIN DRIVE (1085)	Z34099	1	1001523	4014486460421
51		Z43863	1	1000036	4014486460735
1166 - 1166 HYDRO 4					
2	1166	AZ37807	2	1001108	4014486496901
3	1166	Z34099	1	1001523	4014486460421
5	1166	Z42756	1	1002350	4014486478839



JOHN DEERE

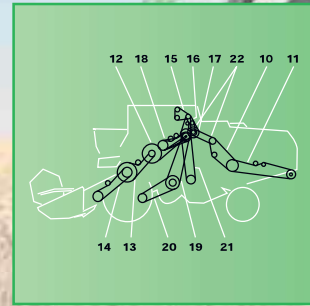
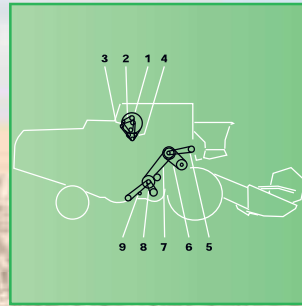
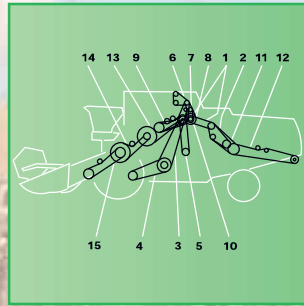
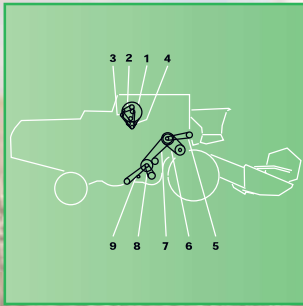
6	1166	Z45482	1	1003400	4014486462906
7		Z34828	1	1003397	4014486462821
8		Z51212	1	1001027	4014486487800
9		Z46759	1	1002333	4014486478648
10		Z35965	1	1000153	4014486461756
12		Z33790	1	1001995	4014486491180
13	DRIVE GRAIN	Z21501	1	1001102	4014486496840
13	MAIZE	Z38186	1	1001647	4014486485998
14		Z39313	1	1001109	4014486496925
14	FOR LONG FEEDER HOUSE	Z39314	1	1001121	4014486497076
15		AR72036	1	1002351	4014486478846
16		Z46764	1	1004107	4014486522822
17		Z32190	1	1000002	4014486458985
18		Z45026	1	1000261	4014486464177
19		Z20823	1	1003587	4014486460230
19		Z44936	1	1001542	4014486460612
19	SUB FOR Z20823	Z53288	1	1001507	4014486460223
21		Z47912	1	1000607	4014486469455
22		Z46365	1	1001404	4014486459104
23	1166	Z43863	1	1000036	4014486460735

1169 - 1169 HYDRO 4

4	AIR CONDITIONING COMPRESSOR DRIVE WITH SEPARATE CONDENSER COOLING - 1169	Z42756	1	1002350	4014486478839
5	ONLY 1169	Z45482	1	1003400	4014486462906
6		Z34828	1	1003397	4014486462821
7		Z51212	1	1001027	4014486487800
8	AIR CONDITIONING COMPRESSOR DRIVE	Z46759	1	1002333	4014486478648
9		Z35965	1	1000153	4014486461756
11		Z33790	1	1001995	4014486491180
12	MAIZE	Z21501	1	1001102	4014486496840
12	DRIVE GRAIN	Z38186	1	1001647	4014486485998
13		Z39312	1	1001118	4014486497038
14		AR72036	1	1002351	4014486478846
15		Z46764	1	1004107	4014486522822
16		Z32190	1	1000002	4014486458985
17		Z45026	1	1000261	4014486464177
18		Z20823	1	1003587	4014486460230
18	SUB FOR Z20823	Z53288	1	1001507	4014486460223
20		Z47912	1	1000607	4014486469455
21		Z46365	1	1001404	4014486459104

1174 - 1174 HYDRO 4

1		Z43863	1	1000036	4014486460735
2		Z38704	1	1000039	4014486460766
3	1174 - FOR POSI-TORQUE GROUND SPEED DRIVE	AZ37807	2	1001108	4014486496901
4	1174 - FOR POSI-TORQUE GROUND SPEED DRIVE	Z34099	1	1001523	4014486460421
5	1174 HY 4 ONLY	Z41728	1	1001828	4014486488494
6	AIR CONDITIONING WITH SEPARATE CONDENSER COOLING	Z42756	1	1002350	4014486478839
7		Z45482	1	1003400	4014486462906
8		Z34828	1	1003397	4014486462821
9		Z51212	1	1001027	4014486487800
10	AIR CONDITIONING WITH INTEGRATED CONDENSER COOLING	Z46759	1	1002333	4014486478648
11		Z35965	1	1000153	4014486461756
13		Z33790	1	1001995	4014486491180



JOHN DEERE

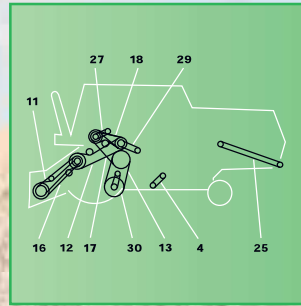
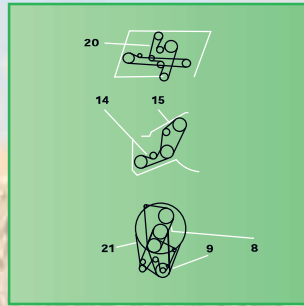
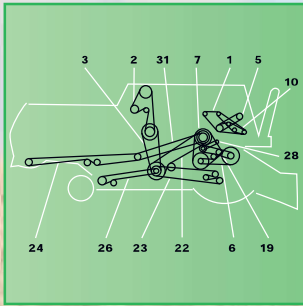
14		Z21501	1	1001102	4014486496840
14		Z38186	1	1001647	4014486485998
15		Z39313	1	1001109	4014486496925
15	FOR FEEDER CONVEYOR LONG	Z39314	1	1001121	4014486497076
16	AIR CONDITIONING WITH SEPARATE CONDENSER COOLING	Z38704	1	1000039	4014486460766
16	1174 ONLY AC WITH INTEGRATED CONDENSER COOLING	Z46764	1	1004107	4014486522822
17		AR72036	1	1002351	4014486478846
18	1174 HY 4 ONLY	Z45367	1	1002426	4014486493030
19		Z32190	1	1000002	4014486458985
20		Z45026	1	1000261	4014486464177
21		Z20823	1	1003587	4014486460230
21		Z44936	1	1001542	4014486460612
21	SUB FOR Z20823	Z53288	1	1001507	4014486460223
23		Z46365	1	1001404	4014486459104
24		Z47912	1	1000607	4014486469455

1177 - 1177 HYDRO 4

1	1177 ONLY- AC WITH INTEGRATED CONDENSER COOLING	Z46764	1	1004107	4014486522822
2	1177 ONLY	AR72036	1	1002351	4014486478846
3		Z45367	1	1002426	4014486493030
5		Z45026	1	1000261	4014486464177
6		Z44936	1	1001542	4014486460612
8		Z46365	1	1001404	4014486459104
9		Z47912	1	1000607	4014486469455
10		Z35965	1	1000153	4014486461756
12	1177 ONLY	Z33790	1	1001995	4014486491180
13		Z38186	1	1001647	4014486485998
14		Z39314	1	1001121	4014486497076
15	AIR CONDITIONING WITH SEPARATE CONDENSER COOLING	Z42756	1	1002350	4014486478839
16	1177 HY 4	Z42757	1	1003343	4014486462975
16	1177 ONLY	Z45482	1	1003400	4014486462906
17		Z34828	1	1003397	4014486462821
18		Z51212	1	1001027	4014486487800
19	1177 ONLY- AC WITH INTEGRATED CONDENSER COOLING	Z46759	1	1002333	4014486478648
20	1177	AZ37807	2	1001108	4014486496901
21	1177	Z34099	1	1001523	4014486460421
22	1177 HY 4	Z46709	1	1001832	4014486488555
23		Z43863	1	1000036	4014486460735
24	WITHOUT CROOS SHAKER	Z38704	1	1000039	4014486460766

1188 - 1188 HYDRO 4

1		Z38704	1	1000039	4014486460766
3		Z45367	1	1002426	4014486493030
5		Z45026	1	1000261	4014486464177
6		Z44936	1	1001542	4014486460612
8		Z46365	1	1001404	4014486459104
9		Z47912	1	1000607	4014486469455
10		Z35965	1	1000153	4014486461756
12		Z46463	1	1001261	4014486492200
13		Z43890	1	1003643	4014486489156
14	FOR FEEDER CONVEYOR LONG	Z43889	1	1002707	4014486486452
15		Z42756	1	1002350	4014486478839
17		Z34828	1	1003397	4014486462821
18		Z51212	1	1001027	4014486487800
20	1188 ONLY	Z34099	1	1001523	4014486460421



JOHN DEERE

22		Z43863	1	1000036	4014486460735
		Z51707	1	1001634	4014486485820

4435 - 4435 HYDRO

1	ALTERNATOR AND WATERPUMP DRIVE	AR72036	1	1002351	4014486478846
2	CENTER SHAFT TO ROTARY SCREEN	Z46764	1	1004107	4014486522822
3	CRANKSHAFT - CENTER SHAFT	Z32190	1	1000002	4014486458985
4	CLEANING FAN DRIVE	Z46365	1	1001404	4014486459104
6	CYLINDER	Z44936	1	1001542	4014486460612
7	TAILINGS ELEVATOR DRIVE	Z45026	1	1000261	4014486464177
8	CLEAN GRAIN ELEVATOR DRIVE	Z47912	1	1000607	4014486469455
10	BEATER DRIVE	Z33790	1	1001995	4014486491180
11	FEEDER HOUSE DRIVE	Z38186	1	1001647	4014486485998
12	STRAW CHOPPER (FRONT)	Z44761	1	1001668	4014486486315
13	STRAW CHOPPER DRIVE (REAR)	Z47763	1	1001735	4014486487190
14	MAIN HYDRAULIC PUMP	Z34828	1	1003397	4014486462821
15	COMPRESSOR DRIVE	Z46759	1	1002333	4014486478648
16	UNLOADING AUGER DRIVE	Z51212	1	1001027	4014486487800
17	GROUND DRIVE (UPPER)	AZ37807	2	1001108	4014486496901
18	GROUND DRIVE (LOWER)	Z34099	1	1001523	4014486460421
21		Z55645	1	1001739	4014486487237

6600 SIDEHILL

18	COUNTERSHAFT (PRIMARY)	H108175	1	1001140	4014486490022
----	------------------------	---------	---	---------	---------------

6700 S

1		R135199	1	1003235	4014486482669
---	--	---------	---	---------	---------------

9500 SH

1	AIR CONDITIONING COMPRESSOR (SN 650201-)	H80896	1	1002570	4014486495355
1	AIR COND. COMPRESSOR (635201 - 648500)	H81742	1	No AP	
2	BEATER (100 PERCENT)	AH139436	2	1001382	4014486474978
2	BEATER DRIVE (75 PERCENT)	AH163931	2	1001381	4014486474961
3	CLEAN GRAIN ELEVATOR (SN 640201-)	H141167	1	1004088	4014486520088
4	COOLING FAN (HIGH POWER)	H153297	1	1001551	4014486484502
5	CYLINDER DR. REGULAR DUAL RANGE & SINGLE RANGE	H115881	1	1003663	4014486490817
5	CYLINDER INTERMEDIATE DRIVE BELT	H210476	1	1001543	4014486460636
6	ENGINE ALTERNATOR (SN 645201-)	H101813	1	1002580	4014486495591
6	ENGINE ALTERNATOR	H134344	1	No AP	
7	FIXED SPEED FEEDER HOUSE WITH REVERSER	H126345	1	1001124	4014486497106
8	HEADER & REEL PUMP (SN 635201-)	H151952	1	1003570	4014486497014
9	LOWER TAILINGS AUGER & ELEVATOR	N110085	1	1000702	4014486470857
10	OPTIONAL BEATER (75 PERCENT)	AH163931	2	1001381	4014486474961
11	ROTARY SCREEN (SN -642578)	H143869	1	No AP	
11	ROTARY SCREEN (SN 642579-)	H145158	1	No AP	
11	ROTARY SCREEN DRIVE (SN 642579-)	H146636	1	1004193	4014486558487
12	SECONDARY COUNTERSHAFT	H128010	1	1000797	4014486472165
13	SHOE, STRAW WALKER & CONVEYOR AUGERS	H131169	1	1001392	4014486475104
14	STRAW CHOPPER DRIVE, FRONT	H125380	1	1000791	4014486472073
14	STRAW CHOPPER DRIVE, LONG REAR	H125381	1	1000778	4014486471885
14	STRAW CHOPPER DRIVE, REGULAR	H140404	1	1001434	4014486459425
14	STRAW CHOPPER DRIVE, SHORT REAR (SN 640201-)	H23950	1	1000682	4014486470581
15	STRAW SPREADER	H128234	1	1000419	4014486466829
16	UNLOADING SYSTEM	AH158880	2	1002861	4014486469400
17	VARIABLE SPEED FEEDER HOUSE	H161648	1	No AP	



JOHN DEERE

9510 SH

1	AIR CONDITIONING COMPRESSOR	H80896	1	1002570	4014486495355
3	BEATER DRIVE (100 PERCENT)	AH139436	2	1001382	4014486474978
3	BEATER DRIVE (75 PERCENT)	AH163931	2	1001381	4014486474961
4	CHOPPER IN REAR (OPERATING) POSITION	H125381	1	1000778	4014486471885
4	CHOPPER IN WINDROW OR FORWARD POSITION	H23950	1	1000682	4014486470581
6	COOLING FAN LOW POWER	H132808	1	No AP	
7	CYLINDER DR. REGULAR DUAL RANGE & SINGLE RANGE	H115881	1	1003663	4014486490817
8	ENGINE ALTERNATOR	H101813	1	1002580	4014486495591
10	FIXED SPEED FEEDER HOUSE WITH REVERSER	H126345	1	1001124	4014486497106
10	FEEDER HOUSE VARIABLE SPEED	H161648	1	No AP	
11	LOWER TAILINGS AUGER & ELEVATOR	N110085	1	1000702	4014486470857
12	POWERSHAFT AND REEL PUMP	H151952	1	1003570	4014486497014
13	ROTARY SCREEN	H145158	1	No AP	
13	ROTARY SCREEN DRIVE	H146636	1	1004193	4014486558487
14	SECONDARY COUNTERSHAFT	H128010	1	1000797	4014486472165
15	SHOE, STRAW WALKER & CONVEYOR AUGERS	H131169	1	1001392	4014486475104
16	STRAW CHOPPER DRIVE, FRONT	H125380	1	1000791	4014486472073
16	STRAW CHOPPER DRIVE, REGULAR (750-1350 RPM)	H140404	1	1001434	4014486459425
17	STRAW SPREADER	H128234	1	1000419	4014486466829
19	UNLOADING SYSTEM	AH158880	2	1002861	4014486469400

9550 SH

1	AIR CONDITIONING COMPRESSOR	H163515	1	1003209	4014486482256
2	ALTERNATOR (95 AMP)	H163515	1	1003209	4014486482256
2	ALTERNATOR (185 AMP)	H166870	1	1004090	4014486520521
3	BEATER DRIVE (100%)	AH139436	2	1001382	4014486474978
3	BEATER DRIVE (75%)	AH163931	2	1001381	4014486474961
4	CLEAN GRAIN ELEVATOR	H141166	1	1001394	4014486475128
5	CLEANING FAN (750 - 1350 RPM)	H152146	1	1001435	4014486459432
5	CLEANING FAN (490 - 980 RPM)	H152180	1	1001431	4014486459395
7	COUNTERSHAFT SECONDARY	H128010	1	1000797	4014486472165
8	CYLINDER INTERMEDIATE DRIVE BELT	H210476	1	1001543	4014486460636
9	CYLINDER DRIVE (240 - 960 RPM)	H115881	1	1003663	4014486490817
12	FEEDER HOUSE VARIABLE SPEED (STANDARD CAPACITY) (-700200)	H161648	1	No AP	
13	FIXED SPEED FEEDER HOUSE W/REVERSER (-700200)	H126345	1	1001124	4014486497106
13	FIXED SPEED FEEDER HOUSE W/REVERSER (700201-)	H156796	1	1004269	4014486683301
14	HEADER AND REEL PUMP (STANDARD)	H151952	1	1003570	4014486497014
15	LOWER TAILINGS AUGER & ELEVATOR	N110085	1	1000702	4014486470857
16	ROTARY SCREEN (-695000)	H145158	1	No AP	
16	ROTARY SCREEN (695201-)	H175632	1	1004469	4014486712117
17	SHOE, STRAW WALKER & CONVEYOR AUGERS	H131169	1	1001392	4014486475104
18	STRAW CHOPPER (STANDARD BALING)	H23950	1	1000682	4014486470581
19	STRAW SPREADER	H128234	1	1000419	4014486466829
20	UNLOADING SYSTEM	AH158880	2	1002861	4014486469400

9560 STS

1	CLEAN GRAIN ELEVATOR DRIVE	H218645	1	1001393	4014486475111
2	JACKSHAFT - RIGHT HAND (REAR)	H154723	1	1000738	4014486471335
3	JACKSHAFT - (FRONT) RIGHT HAND	AH202773	2	1002893	4014486469820
4	FEEDER ACCELERATOR - STANDARD SPEED (SERIAL NR. 715301 - ...)	H211581	1	1004059	4014486519815
4	FEEDER ACCELERATOR - STANDARD SPEED (SERIAL NR. ... - 715300)	H221731	1	1004197	4014486675504
4	FEEDER ACCELERATOR - LOW SPEED	H221732	1	1004130	4014486523126
5	SHOE FAN AND CONVEYOR AUGERS	H175587	1	1004166	4014486523003



JOHN DEERE

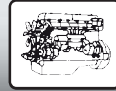
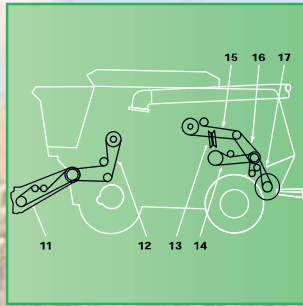
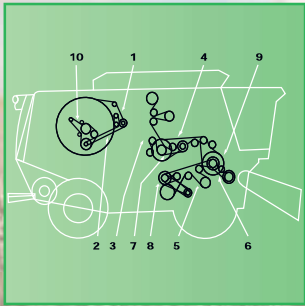
6	CLEANING FAN DRIVE	H206048	1	1001426	4014486459340
6	CLEANING FAN - SLOW SPEED (SUB FOR H206049)	H211601	1	1001433	4014486459418
7	TAILINGS AUGER AND ELEVATOR	H154731	1	1000586	4014486469073
8	HEADER AND REEL PUMP (STANDARD CAPACITY)	H126345	1	1001124	4014486497106
8	HEADER AND REEL PUMP (HIGH CAPACITY)	H209507	1	1004136	4014486523621
9	FEEDER HOUSE FIXED SPEED	H126345	1	1001124	4014486497106
10	UNLOADING AUGER DRIVE	AH160080	2	1000681	4014486470550
11	ROTOR VARIATOR DRIVE	H169449	1	No AP	
12	DISCHARGE BEATER DRIVE	H168301	1	1000708	4014486470956
13	COUNTERSHAFT - DISCHARGE BEATER AND CHOPPER	H157514	1	1004131	4014486523133
14	STRAW CHOPPER DRIVE	H204747	1	1001656	4014486486100
15	FEEDER HOUSE VARIABLE DRIVE (STANDARD CAPACITY)	H201334	1	No AP	
15	FEEDER HOUSE VARIABLE DRIVE (HIGH CAPACITY)	H218726	1	No AP	
16	ROTARY SCREEN DRIVE - SCREEN SIDE	H175632	1	1004469	4014486712117
18	ALTERNATOR DRIVE (95 AMP)	R135606	1	1003191	4014486481846
18	ALTERNATOR DRIVE (185 AMP)	R135609	1	1003196	4014486481891

9570 STS

1	CLEAN GRAIN ELEVATOR DRIVE	H218645	1	1001393	4014486475111
2	JACKSHAFT - (FRONT) RIGHT HAND	AH202773	2	1002893	4014486469820
2	JACKSHAFT - RIGHT HAND (REAR)	H154723	1	1000738	4014486471335
3	FEEDER ACCELERATOR - LOW SPEED	H221732	1	1004130	4014486523126
3	FEEDER ACCELERATOR - STANDARD SPEED	H236472	1	1004059	4014486519815
4	SHOE FAN AND CONVEYOR AUGERS	H175587	1	1004166	4014486523003
5	CLEANING FAN DRIVE	H230909	1	1004058	4014486518337
6	TAILINGS AUGER AND ELEVATOR	H154731	1	1000586	4014486469073
7	HEADER AND REEL PUMP (STANDARD CAPACITY)	H126345	1	1001124	4014486497106
7	HEADER AND REEL PUMP (HIGH CAPACITY)	H209507	1	1004136	4014486523621
8	FEEDER HOUSE FIXED SPEED	H203474	1	1004057	4014486519914
9	UNLOADING AUGER DRIVE	AH160080	2	1000681	4014486470550
10	ROTOR VARIATOR DRIVE	H221498	1	No AP	
11	DISCHARGE BEATER DRIVE	H219182	1	1000708	4014486470956
12	COUNTERSHAFT - BEATER AND CHOPPER (STANDARD CAPACITY)	H157514	1	1004131	4014486523133
12	COUNTERSHAFT - BEATER AND CHOPPER (HIGH CAPACITY)	H201596	1	1001141	4014486519730
13	STRAW CHOPPER DRIVE	H204747	1	1001656	4014486486100
14	FEEDER HOUSE VARIABLE DRIVE (STANDARD CAPACITY)	H201334	1	No AP	
14	FEEDER HOUSE VARIABLE DRIVE (HIGH CAPACITY)	H218726	1	No AP	
15	ROTARY SCREEN DRIVE - ENGINE SIDE	H213353	1	1004109	4014486522846
15	ROTARY SCREEN DRIVE - SCREEN SIDE	H221273	1	1004112	4014486522877
16	ALTERNATOR DRIVE (200 AMP)	R521053	1	1004156	4014486523058

965 HYDRO 4

1	REEL DRIVE	Z20562	1	1000753	4014486471526
2	REEL DRIVE VARIABLE SPEED	Z20459	1	1003583	4014486459029
3	MAIN DRIVE	Z33790	1	1001995	4014486491180
4	UNLOADING SYSTEM	Z33368	1	1000603	4014486469370
5	HYDRAULIC PUMP DRIVE	Z34828	1	1003397	4014486462821
6	TRACTION DRIVE	AZ22914	2	1002915	4014486496918
8	STRAW ELEVATOR DRIVE	Z21500	1	1001103	4014486496857
10	RADIATOR FAN DRIVE	Z24833	1	No AP	
11	PURIFY DRIVE	Z31283	1	1000038	4014486460759
12	COUNTERSHAFT - PURIFY DRIVE	Z32190	1	1000002	4014486458985
13	CYLINDER DRIVE	Z20823	1	1003587	4014486460230
14	FAN DRIVE	Z34405	1	1000675	4014486470475
15	SICKLE KNIFE DRIVE	Z30130	1	1001111	4014486496949



JOHN DEERE

9650 CTS

1	ALTERNATOR (95 AMP) (-695400)	H163515	1	1003209	4014486482256
1	ALTERNATOR (185 AMP) (-695400)	H166870	1	1004090	4014486520521
2	COUNTERSHAFT SECONDARY	H128010	1	1000797	4014486472165
2	CONVEYOR AUGER, SIEVE, AND CHAFFER	H131169	1	1001392	4014486475104
2		H165708	1	1001579	4014486484861
2	ALTERNATOR (185 AMP) (695401-)	R164820	1	1003114	4014486480641
3	COOLING FAN (695401-)	H177186	1	1003223	4014486482508
4	ROTARY SCREEN (-695400)	H145158	1	No AP	
5	ROTARY SCREEN (695401-)	H175632	1	1004469	4014486712117
6	CLEAN GRAIN ELEVATOR	H141166	1	1001394	4014486475128
6	ROTARY SCREEN DRIVE (695401-)	H146636	1	1004193	4014486558487
7	CYLINDER INTERMEDIATE DRIVE (2290 E.L.)	H210476	1	1001543	4014486460636
9	CYLINDER DRIVE (2830E.L.)	H115881	1	1003663	4014486490817
10	HEADER AND REEL PUMP (STANDARD CAPACITY)	H151952	1	1003570	4014486497014
10	HEADER AND REEL PUMP (HIGH CAPACITY)	H155998	1	1000764	4014486471670
10	LOWER TAILINGS AUGER & ELEVATOR	N110085	1	1000702	4014486470857
12	CLEANING FAN (750 - 1350 RPM)	H152146	1	1001435	4014486459432
12	CLEANING FAN (490 - 980 RPM)	H152180	1	1001431	4014486459395
13	FIXED SPEED FEEDER HOUSE W/REVERSER (-700400_	H126345	1	1001124	4014486497106
13	FIXED SPEED FEEDER HOUSE W/REVERSER (700401-)	H156796	1	1004269	4014486683301
15	FEEDER HOUSE VARIABLE SPEED (STANDARD CAPACITY) (-700400)	H161648	1	No AP	
17	OVERSHOT BEATER DRIVE	H139963	1	1000221	4014486462852
17	OVERSHOT BEATER DRIVE (740-1170 RPM)	H165708	1	1001579	4014486484861
18	STRIPPER BEATER DRIVE	H165708	1	1001579	4014486484861
19	UNLOADING SYSTEM	AH158880	2	1002861	4014486469400

9650 STS

1	ROTARY SCREEN DRIVE	H206807	1	1002435	4014486493139
2	ROTARY SCREEN DRIVE	H157104	1	1002437	4014486493153
3	ELEVATOR DRIVE GRAIN	H158512	1	1000853	4014486472844
4	JACKSHAFT - RIGHT HAND (REAR)	H154723	1	1000738	4014486471335
5	SHOE FAN AND CONVEYOR AUGERS	H175587	1	1004166	4014486523003
7	TAILINGS AUGER AND ELEVATOR	H154731	1	1000586	4014486469073
8	CLEANING FAN DRIVE	H165072	1	1001425	4014486459326
9	JACKSHAFT RIGHT HAND	AH150678	2	1002892	4014486470192
10	ALTERNATOR DRIVE 95 AMP	R135606	1	1003191	4014486481846
12	HEADER AND REEL PUMP	H156541	1	1001785	4014486519662
13	STS VARIABLE DRIVE	H165545	1	No AP	
14	DISCHARGE BEATER DRIVE	H168301	1	1000708	4014486470956
15	UNLOADING AUGER DRIVE	AH160080	2	1000681	4014486470550
16	COUNTERSHAFT - BEATER AND CHOPPER	H157514	1	1004131	4014486523133
17	STRAW CHOPPER DRIVE	H204747	1	1001656	4014486486100

9660 STS

1	CLEAN GRAIN ELEVATOR	H218645	1	1001393	4014486475111
1	CLEAN GRAIN ELEVATOR DRIVE	H218645	1	1001393	4014486475111
2	R.H. JACKSHAFT, FRONT	AH150678	2	1002892	4014486470192
2	JACKSHAFT - RIGHT HAND (REAR)	H154723	1	1000738	4014486471335
2	R.H. JACKSHAFT, REAR	H154723	1	1000738	4014486471335
3	JACKSHAFT - (FRONT) RIGHT HAND	AH150678	2	1002892	4014486470192
3	FEED ACCELERATOR, STANDARD SPEED -715400	H221731	1	1004197	4014486675504
3	FEED ACCELERATOR, SLOW SPEED	H221732	1	1004130	4014486523126
3	FEED ACCELERATOR, STANDARD SPEED 715401-	H236472	1	1004059	4014486519815

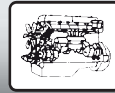
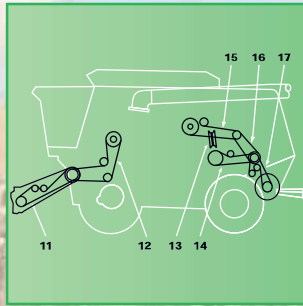
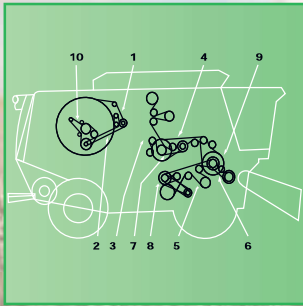


JOHN DEERE

4	SHOE FAN AND CONVEYOR AUGERS	H175587	1	1004166	4014486523003
4	FEEDER ACCELERATOR - STANDARD SPEED (SERIAL NR. 715301 - ...)	H211581	1	1004059	4014486519815
4	FEEDER ACCELERATOR - STANDARD SPEED (SERIAL NR. ... - 715300)	H221731	1	1004197	4014486675504
4	FEEDER ACCELERATOR - LOW SPEED	H221732	1	1004130	4014486523126
5		H175587	1	1004166	4014486523003
5	CLEANING FAN	H206048	1	1001426	4014486459340
5	CLEANING FAN, SLOW SPEED	H211601	1	1001433	4014486459418
6	TAILINGS AUGER AND ELEVATOR	H154731	1	1000586	4014486469073
6	CLEANING FAN DRIVE	H206048	1	1001426	4014486459340
6	CLEANING FAN - SLOW SPEED	H211601	1	1001433	4014486459418
7		H154731	1	1000586	4014486469073
7	HEADER AND REEL PUMP, HIGH CAPACITY	H156541	1	1001785	4014486519662
7	HEADER AND REEL PUMP, STANDARD CAPACITY	H156796	1	1004269	4014486683301
8	UNLOADING AUGER SYSTEM	AH160080	2	1000681	4014486470550
8	HEADER AND REEL PUMP (HIGH CAPACITY)	H156541	1	1001785	4014486519662
8	HEADER AND REEL PUMP (STANDARD CAPACITY)	H156796	1	1004269	4014486683301
9	FEEDER HOUSE FIXED SPEED	H203474	1	1004057	4014486519914
9	VARIABLE ROTOR DRIVE	H221498	1	No AP	
10	UNLOADING AUGER DRIVE	AH160080	2	1000681	4014486470550
10	DISCHARGE BEATER	H219182	1	1000708	4014486470956
11	ROTOR VARIATOR DRIVE	H169449	1	No AP	
12	DISCHARGE BEATER DRIVE	H168301	1	1000708	4014486470956
12	STRAW CHOPPER	H235564	1	1001656	4014486486100
13	COUNTERSHAFT - DISCHARGE BEATER AND CHOPPER	H157514	1	1004131	4014486523133
13	VARIABLE DRIVE FEEDER HOUSE, STANDARD CAPACITY	H201334	1	No AP	
13	VARIABLE DRIVE FEEDER HOUSE, HIGH CAPACITY	H218726	1	No AP	
13	VARIABLE DRIVE FEEDER HOUSE, HIGH CAPACITY (HIGH TORQUE)	H220911	1	No AP	
14	FIXED SPEED FEEDER HOUSE	H203474	1	1004057	4014486519914
14	STRAW CHOPPER DRIVE	H204747	1	1001656	4014486486100
15	ROTARY SCREEN DRIVE, SCREEN SIDE -715400	H175628	1	1000180	4014486462098
15	FEEDER HOUSE VARIABLE DRIVE (STANDARD CAPACITY)	H201334	1	No AP	
15	ROTARY SCREEN DRIVE, ENGINE SIDE -715400	H206807	1	1002435	4014486493139
15	ROTARY SCREEN DRIVE, ENGINE SIDE 715401-	H213353	1	1004109	4014486522846
15	FEEDER HOUSE VARIABLE DRIVE (HIGH CAPACITY)	H218726	1	No AP	
16	ALTERNATOR, 200 AMP	AT262958	1	1003226	4014486482560
16	ROTARY SCREEN DRIVE - SCREEN SIDE	H175632	1	1004469	4014486712117
16	ALTERNATOR, 95 AMP	R135606	1	1003191	4014486481846
16	ALTERNATOR, 185 AMP	R135609	1	1003196	4014486481891
17	ROTARY SCREEN DRIVE - ENGINE SIDE	H206807	1	1002435	4014486493139
18	ALTERNATOR DRIVE (95 AMP)	R135606	1	1003191	4014486481846
18	ALTERNATOR DRIVE (185 AMP)	R135609	1	1003196	4014486481891

9670 STS

1	CLEAN GRAIN ELEVATOR	H218645	1	1001393	4014486475111
1	CLEAN GRAIN ELEVATOR DRIVE	H218645	1	1001393	4014486475111
2	JACKSHAFT - (FRONT) RIGHT HAND	AH150678	2	1002892	4014486470192
2	R.H. JACKSHAFT, FRONT	AH150678	2	1002892	4014486470192
2	JACKSHAFT - RIGHT HAND (REAR)	H154723	1	1000738	4014486471335
2	R.H. JACKSHAFT, REAR	H154723	1	1000738	4014486471335
3	SHOE FAN AND CONVEYOR AUGERS	H175587	1	1004166	4014486523003
3	FEED ACCELERATOR, SLOW SPEED	H221732	1	1004130	4014486523126
3	FEEDER ACCELERATOR - LOW SPEED	H221732	1	1004130	4014486523126
3	FEED ACCELERATOR, STANDARD SPEED	H236472	1	1004059	4014486519815
3	FEEDER ACCELERATOR - STANDARD SPEED	H236472	1	1004059	4014486519815
4		H175587	1	1004166	4014486523003



JOHN DEERE

4	CLEANING FAN	H206048	1	1001426	4014486459340
5	TAILINGS AUGER AND ELEVATOR	H154731	1	1000586	4014486469073
5	CLEANING FAN DRIVE	H206048	1	1001426	4014486459340
6		H154731	1	1000586	4014486469073
6	HEADER AND REEL PUMP (FIXED SPEED)	H156796	1	1004269	4014486683301
7	HEADER AND REEL PUMP (VARIABLE CAPACITY)	H156541	1	1001785	4014486519662
7	HEADER AND REEL PUMP (VARIABLE SPEED)	H156541	1	1001785	4014486519662
7	HEADER AND REEL PUMP (FIXED CAPACITY)	H156796	1	1004269	4014486683301
7	HEADER AND REEL (MULTI SPEED FEEDER HOUSE DRIVE)	H229018	1	1004145	4014486523652
8	UNLOADING AUGER SYSTEM	AH160080	2	1000681	4014486470550
8	FEEDER HOUSE FIXED SPEED	H203474	1	1004057	4014486519914
8	FEEDER HOUSE FIXED SPEED (EXTRA HEAVY DUTY)	H229019	1	1004144	4014486523645
9	UNLOADING AUGER DRIVE	AH160080	2	1000681	4014486470550
9	VARIABLE ROTOR DRIVE	H221498	1	No AP	
10	DISCHARGE BEATER	H219182	1	1000708	4014486470956
10	ROTOR VARIATOR DRIVE	H221498	1	No AP	
11	DISCHARGE BEATER DRIVE	H168301	1	1000708	4014486470956
12	COUNTERSHAFT - BEATER AND CHOPPER (STANDARD CAPACITY)	H157514	1	1004131	4014486523133
12	COUNTERSHAFT - BEATER AND CHOPPER (HIGH CAPACITY)	H223384	1	1004142	4014486523225
12	COUNTERSHAFT, DISCHARGE BEATER AND CHOPPER (REGULAR)	HXE10556	1	1004133	4014486523157
13	STRAW CHOPPER (CIS)	H204747	1	1001656	4014486486100
13	STRAW CHOPPER	H232997	1	1001606	4014486485325
13	STRAW CHOPPER DRIVE	H232997	1	1001606	4014486485325
13	STRAW CHOPPER (CIS)	H235564	1	1001656	4014486486100
13	COUNTERSHAFT, DISCHARGE BEATER AND CHOPPER (HEAVY DUTY)	HXE10501	1	1004142	4014486523225
14	FEEDER HOUSE VARIABLE DRIVE	H218726	1	No AP	
14	VARIABLE SPEED FEEDER HOUSE DRIVE	H218726	1	No AP	
14	FEEDER HOUSE VARIABLE DRIVE (EXTRA HEAVY DUTY)	H220911	1	No AP	
15	FIXED SPEED FEEDER HOUSE	H203474	1	1004057	4014486519914
15	ROTARY SCREEN DRIVE - ENGINE SIDE	H213353	1	1004109	4014486522846
15	VARIABLE SPEED FEEDER HOUSE DRIVE (HIGH SPEED)	H220911	1	No AP	
15	ROTARY SCREEN DRIVE - SCREEN SIDE	H221273	1	1004112	4014486522877
15	ROTARY SCREEN DRIVE, SCREEN SIDE	H221273	1	1004112	4014486522877
15	FIXED SPEED FEEDER HOUSE (MULTI SPEED FEEDER HOUSE DRIVE)	H229019	1	1004144	4014486523645
16	ALTERNATOR DRIVE (200 AMP)	AT262958	1	1003226	4014486482560
16	ALTERNATOR, 200 AMP	AT262958	1	1003226	4014486482560
16	ROTARY SCREEN DRIVE, ENGINE SIDE	H213353	1	1004109	4014486522846

9750 STS

1	ROTARY SCREEN DRIVE	H206807	1	1002435	4014486493139
2	ROTARY SCREEN DRIVE	H157104	1	1002437	4014486493153
3	ELEVATOR DRIVE GRAIN	H158512	1	1000853	4014486472844
4	JACKSHAFT - RIGHT HAND (REAR)	H154723	1	1000738	4014486471335
5	SHOE FAN AND CONVEYOR AUGERS	H175587	1	1004166	4014486523003
7	TAILINGS AUGER AND ELEVATOR	H154731	1	1000586	4014486469073
8	CLEANING FAN DRIVE	H165072	1	1001425	4014486459326
9	JACKSHAFT RIGHT HAND	AH150678	2	1002892	4014486470192
10	ALTERNATOR DRIVE 95 AMP	R135606	1	1003191	4014486481846
12	HEADER AND REEL PUMP	H156541	1	1001785	4014486519662
13	STS VARIABLE DRIVE	H165545	1	No AP	
14	DISCHARGE BEATER DRIVE	H168301	1	1000708	4014486470956
15	UNLOADING AUGER DRIVE	AH160080	2	1000681	4014486470550
16	COUNTERSHAFT - BEATER AND CHOPPER	H157514	1	1004131	4014486523133
17	STRAW CHOPPER DRIVE	H204747	1	1001656	4014486486100



JOHN DEERE

9760 STS

1	CLEAN GRAIN ELEVATOR DRIVE	H218645	1	1001393	4014486475111
2	JACKSHAFT - RIGHT HAND (REAR)	H154723	1	1000738	4014486471335
3	JACKSHAFT - (FRONT) RIGHT HAND	AH150678	2	1002892	4014486470192
4	FEEDER ACCELERATOR - STANDARD SPEED (SERIAL NR. 715301 - ...)	H211581	1	1004059	4014486519815
4	FEEDER ACCELERATOR - STANDARD SPEED (SERIAL NR. ... - 715301)	H221731	1	1004197	4014486675504
4	FEEDER ACCELERATOR - LOW SPEED	H221732	1	1004130	4014486523126
5	SHOE FAN AND CONVEYOR AUGERS	H175587	1	1004166	4014486523003
6	CLEANING FAN DRIVE	H206048	1	1001426	4014486459340
6	CLEANING FAN - SLOW SPEED	H211601	1	1001433	4014486459418
7	TAILINGS AUGER AND ELEVATOR	H154731	1	1000586	4014486469073
8	HEADER AND REEL PUMP (HIGH CAPACITY)	H156541	1	1001785	4014486519662
8	HEADER AND REEL PUMP (STANDARD CAPACITY)	H156796	1	1004269	4014486683301
9	FEEDER HOUSE FIXED SPEED	H203474	1	1004057	4014486519914
10	UNLOADING AUGER DRIVE	AH160080	2	1000681	4014486470550
11	ROTOR VARIATOR DRIVE	H169449	1	No AP	
12	DISCHARGE BEATER DRIVE	H168301	1	1000708	4014486470956
13	COUNTERSHAFT - DISCHARGE BEATER AND CHOPPER	H157514	1	1004131	4014486523133
14	STRAW CHOPPER DRIVE	H204747	1	1001656	4014486486100
15	FEEDER HOUSE VARIABLE DRIVE (HIGH CAPACITY)	H218726	1	No AP	
16	ROTARY SCREEN DRIVE - SCREEN SIDE	H175632	1	1004469	4014486712117
17	ROTARY SCREEN DRIVE - ENGINE SIDE	H206807	1	1002435	4014486493139
18	ALTERNATOR DRIVE (95 AMP)	R135606	1	1003191	4014486481846
18	ALTERNATOR DRIVE (185 AMP)	R135609	1	1003196	4014486481891

9770 STS

1	CLEAN GRAIN ELEVATOR DRIVE	H218645	1	1001393	4014486475111
2	JACKSHAFT - (FRONT) RIGHT HAND	AH150678	2	1002892	4014486470192
2	JACKSHAFT - RIGHT HAND (REAR)	H154723	1	1000738	4014486471335
3	FEEDER ACCELERATOR - LOW SPEED	H221732	1	1004130	4014486523126
3	FEEDER ACCELERATOR - STANDARD SPEED	H236472	1	1004059	4014486519815
4	SHOE FAN AND CONVEYOR AUGERS	H175587	1	1004166	4014486523003
5	CLEANING FAN DRIVE	H206048	1	1001426	4014486459340
6	TAILINGS AUGER AND ELEVATOR	H154731	1	1000586	4014486469073
7	HEADER AND REEL PUMP (VARIABLE CAPACITY)	H156541	1	1001785	4014486519662
7	HEADER AND REEL PUMP (FIXED CAPACITY)	H156796	1	1004269	4014486683301
7	HEADER AND REEL PUMP (MULTI SPEED FEEDER HOUSE DRIVE)	H229018	1	1004145	4014486523652
8	FEEDER HOUSE FIXED SPEED	H203474	1	1004057	4014486519914
8	FEEDER HOUSE VARIABLE DRIVE	H229019	1	1004144	4014486523645
9	UNLOADING AUGER DRIVE	AH160080	2	1000681	4014486470550
10	ROTOR VARIATOR DRIVE	H208431	1	No AP	
11	DISCHARGE BEATER DRIVE	H168301	1	1000708	4014486470956
12	COUNTERSHAFT - BEATER AND CHOPPER (STANDARD CAPACITY)	H157514	1	1004131	4014486523133
12	COUNTERSHAFT - BEATER AND CHOPPER (HIGH CAPACITY)	H223384	1	1004142	4014486523225
13	STRAW CHOPPER (CIS)	H204747	1	1001656	4014486486100
13	STRAW CHOPPER DRIVE	H223212	1	1004134	4014486523164
14	FEEDER HOUSE VARIABLE DRIVE	H218726	1	No AP	
14	FEEDER HOUSE VARIABLE DRIVE (HIGH SPEED)	H220911	1	No AP	
15	ROTARY SCREEN DRIVE - ENGINE SIDE	H213353	1	1004109	4014486522846
15	ROTARY SCREEN DRIVE - SCREEN SIDE	H221273	1	1004112	4014486522877
16	ALTERNATOR DRIVE (200 AMP)	AT262958	1	1003226	4014486482560



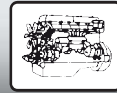
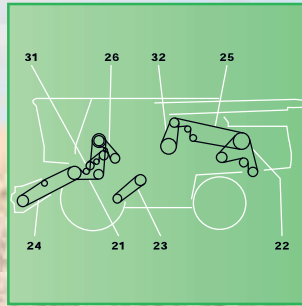
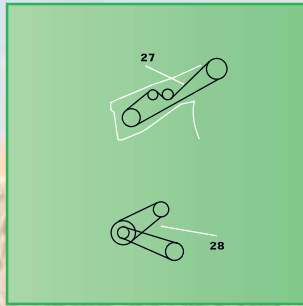
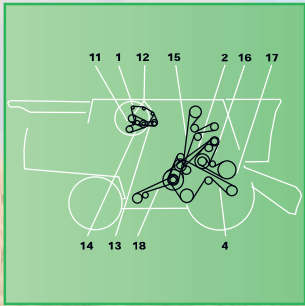
JOHN DEERE

9860 STS

1	HEADER AND REEL PUMP (HIGH CAPACITY)	H156541	1	1001785	4014486519662
1	HEADER AND REEL PUMP (STANDARD CAPACITY)	H156796	1	1004269	4014486683301
2	FEEDER HOUSE FIXED SPEED (EXTRA HEAVY DUTY)	H174885	1	1001777	4014486519631
2	FEEDER HOUSE VARIABLE DRIVE	H203474	1	1004057	4014486519914
3	UNLOADING AUGER DRIVE	AH160080	2	1000681	4014486470550
4	VARIATOR ROTOR DRIVE (SERIAL NR. ...705797)	H207851	1	No AP	
4	VARIATOR ROTOR DRIVE (SERIAL NR. 705798-..)	H208431	1	No AP	
5	DISCHARGE BEATER DRIVE	H168301	1	1000708	4014486470956
6	COUNTERSHAFT - DISCHARGE BEATER AND CHOPPER	H201596	1	1001141	4014486519730
7	STRAW CHOPPER DRIVE	H217352	1	1001772	4014486519617
8	FEEDER HOUSE VARIABLE DRIVE	H218726	1	No AP	
9	CLEAN GRAIN ELEVATOR DRIVE	H218645	1	1001393	4014486475111
10	JACKSHAFT - RIGHT HAND (REAR)	H154723	1	1000738	4014486471335
11	JACKSHAFT - (FRONT) RIGHT HAND	AH150678	2	1002892	4014486470192
12	FEEDER ACCELERATOR - STANDARD SPEED (SERIAL NR. 715301-..)	H211581	1	1004059	4014486519815
12	FEEDER ACCELERATOR - STANDARD SPEED (SERIAL NR. ...715300)	H221731	1	1004197	4014486675504
12	FEEDER ACCELERATOR - LOW SPEED	H221732	1	1004130	4014486523126
13	CLEANING FAN DRIVE	H206048	1	1001426	4014486459340
13	CLEANING FAN - SLOW SPEED	H211601	1	1001433	4014486459418
14	TAILINGS AUGER AND ELEVATOR	H154731	1	1000586	4014486469073

9870 STS

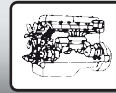
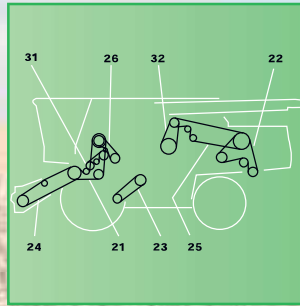
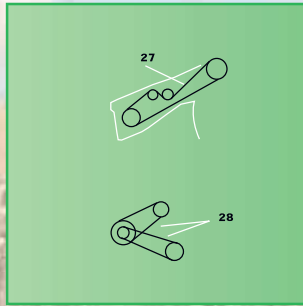
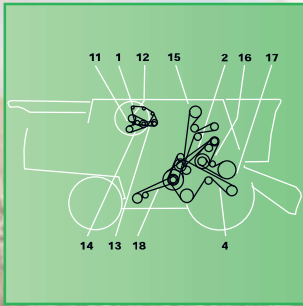
1	CLEAN GRAIN ELEVATOR DRIVE	H223230	1	1004137	4014486523416
2	JACKSHAFT - (FRONT) RIGHT HAND	AH150678	2	1002892	4014486470192
2	JACKSHAFT - RIGHT HAND (REAR)	H154723	1	1000738	4014486471335
3	FEEDER ACCELERATOR - LOW SPEED	H221732	1	1004130	4014486523126
3	FEEDER ACCELERATOR - HIGH SPEED (SERIAL NR. 730101-..)	H230230	1	1004138	4014486523263
3	FEEDER ACCELERATOR - STANDARD SPEED	H236472	1	1004059	4014486519815
4	SHOE FAN AND CONVEYOR AUGERS	H175587	1	1004166	4014486523003
5	CLEANING FAN DRIVE	H230909	1	1004058	4014486518337
6	TAILINGS AUGER AND ELEVATOR	H154731	1	1000586	4014486469073
7	HEADER AND REEL PUMP	H156541	1	1001785	4014486519662
7	HEADER AND REEL PUMP (MULTI SPEED FEEDER HOUSE DRIVE)	H229018	1	1004145	4014486523652
8	FEEDER HOUSE FIXED SPEED (EXTRA HEAVY DUTY)	H174885	1	1001777	4014486519631
8	FEEDER HOUSE VARIABLE DRIVE	H229019	1	1004144	4014486523645
9	UNLOADING AUGER DRIVE	AH160080	2	1000681	4014486470550
10	ROTOR VARIATOR DRIVE	H208431	1	No AP	
11	DISCHARGE BEATER DRIVE (CIS)	H168301	1	1000708	4014486470956
11	DISCHARGE BEATER DRIVE	H219182	1	1000708	4014486470956
12	COUNTERSHAFT - BEATER AND CHOPPER (CIS)	H157514	1	1004131	4014486523133
12	COUNTERSHAFT - BEATER AND CHOPPER (HEAVY DUTY)	H223384	1	1004142	4014486523225
12	COUNTERSHAFT - BEATER AND CHOPPER (STANDARD CAPACITY)	H223385	1	1004133	4014486523157
13	STRAW CHOPPER (CIS)	H204747	1	1001656	4014486486100
13	STRAW CHOPPER DRIVE	H223212	1	1004134	4014486523164
14	ROTARY SCREEN DRIVE - ENGINE SIDE	H213353	1	1004109	4014486522846
14	ROTARY SCREEN DRIVE - SCREEN SIDE	H221273	1	1004112	4014486522877
15	ALTERNATOR DRIVE	R503505	1	1003207	4014486482171
16	ENGINE FAN DRIVE	R503312	1	1002614	4014486484182



JOHN DEERE

CTS

1	ALTERNATOR DRIVE	H101813	1	1002580	4014486495591
2	COUNTERSHAFT (SECONDARY)	H128010	1	1000797	4014486472165
4	STRAW WALKER - CONVEYOR AUGERS	H131169	1	1001392	4014486475104
11	COOLING FAN	H153297	1	1001551	4014486484502
12	COOLING FAN	H145158	1	No AP	
13	ROTARY SCREEN DRIVE	H134216	1	No AP	
13	ROTARY SCREEN DRIVE	H146636	1	1004193	4014486558487
14	AIR CONDITIONING COMPRESSOR DRIVE	H134437	1	No AP	
15	CLEANING ELEVATOR (GRAIN)	H141167	1	1004088	4014486520088
16	CYLINDER DRIVE INTERMEDIATE	H115759	1	1001543	4014486460636
16	CYLINDER DRIVE INTERMEDIATE	H162629	1	1001543	4014486460636
17	CYLINDER DRIVE	H115881	1	1003663	4014486490817
18	TAILINGS AUGER AND ELEVATOR (LOWER)	N110085	1	1000702	4014486470857
21	EQUIPMENT FRONT END	H140160	1	1003570	4014486497014
23	FAN DRIVE REGULAR (N=750-1350 RPM)	H140404	1	1001434	4014486459425
24	DRUM DRIVE VARIABLE SPEED	H125711	1	No AP	
25	SEPARATOR DRIVE	H141429	1	1001149	4014486519792
27	FEEDER HOUSE FIXED SPEED	H126345	1	1001124	4014486497106
31	STRIPPER BEATER	H139963	1	1000221	4014486462852
32	UNLOADING SYSTEM	AH127866	2	1003765	4014486469394



JOHN DEERE

CTS 2

1	ALTERNATOR DRIVE	H163515	1	1003209	4014486482256
2	COUNTERSHAFT (SECONDARY)	H128010	1	1000797	4014486472165
4	STRAW WALKER - CONVEYOR AUGERS	H131169	1	1001392	4014486475104
6		H145158	1	No AP	
8	AIR CONDITIONING COMPRESSOR DRIVE	H134437	1	No AP	
10	CYLINDER DRIVE INTERMEDIATE	H162629	1	1001543	4014486460636
11	CYLINDER DRIVE	H115881	1	1003663	4014486490817
13	STRIPPER BEATER	H139963	1	1000221	4014486462852
14	UNLOADING SYSTEM	AH127866	2	1003765	4014486469394
15	EQUIPMENT FRONT END	H151952	1	1003570	4014486497014
16	STRAW CHOPPER (FRONT)	H162541	1	1001774	4014486519624
17	FAN DRIVE REGULAR (N=750-1350 RPM)	H152146	1	1001435	4014486459432
17	SLOW SPEED (N=490-980 RPM) OPTIONAL	H152180	1	1001431	4014486459395
18	DRUM DRIVE VARIABLE SPEED	H161648	1	No AP	
19	SEPARATOR DRIVE	H141429	1	1001149	4014486519792
21	FEEDER HOUSE FIXED SPEED	H126345	1	1001124	4014486497106

S 690

1		H218645	1	1001393	4014486475111
2		H154723	1	1000738	4014486471335
3		AH150678	2	1002892	4014486470192
4	SLOW SPEED	H221732	1	1004130	4014486523126
5		H175587	1	1004166	4014486523003
6		H230909	1	1004058	4014486518337
8		H154731	1	1000586	4014486469073
9		H156541	1	1001785	4014486519662
9		H229018	1	1004145	4014486523652
11		AH160080	2	1000681	4014486470550
12		H208431	1	No AP	
13		H219182	1	1000708	4014486470956
14		H228347	1	1004149	4014486523669
15		H228346	1	1004143	4014486523638
16		H174885	1	1001777	4014486519631
16		H229019	1	1004144	4014486523645

T 550

1		H175628	1	1000180	4014486462098
2		H174455	1	1003217	4014486482454
3		H146636	1	1004193	4014486558487
4		Z59557	1	1001388	4014486475043
5		H141166	1	1001394	4014486475128
6		H128010	1	1000797	4014486472165
7		H115881	1	1003663	4014486490817
8		H176766	1	1001756	4014486519556
8	FOR HILLMASTER ONLY	H202821	1	1001759	4014486519563
9		Z103844	1	1001815	4014486488302
10	FOR N=450 RPM - 3 GROOVES	Z103844	1	1001815	4014486488302
10	FOR N=900 RPM - 2 GROOVES	Z103845	1	1001571	4014486484748
11		H139963	1	1000221	4014486462852
12	HEAVY DUTY VERSION	H176765	1	1001789	4014486519686
12		H177383	1	1001128	4014486497144
13		H152146	1	1001435	4014486459432
14		AH158880	2	1002861	4014486469400



JOHN DEERE

15		H177177	1	1001905	4014486489668
16	FOR CORN	H177178	1	1001913	4014486489767
17		Z59286	1	1001911	4014486489736

T 560

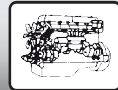
1		H175628	1	1000180	4014486462098
2		H174455	1	1003217	4014486482454
3		H146636	1	1004193	4014486558487
4		Z59557	1	1001388	4014486475043
5		H141166	1	1001394	4014486475128
6		H128010	1	1000797	4014486472165
7		H115881	1	1003663	4014486490817
8		H176766	1	1001756	4014486519556
8	FOR HILLMASTER ONLY	H202821	1	1001759	4014486519563
9		Z103844	1	1001815	4014486488302
10	FOR N=450 RPM - 3 GROOVES	Z103844	1	1001815	4014486488302
10	FOR N=900 RPM - 2 GROOVES	Z103845	1	1001571	4014486484748
11		H139963	1	1000221	4014486462852
12	HEAVY DUTY VERSION	H176765	1	1001789	4014486519686
12		H177383	1	1001128	4014486497144
13		H152146	1	1001435	4014486459432
14		AH158880	2	1002861	4014486469400
15		H177177	1	1001905	4014486489668
16	FOR CORN	H177178	1	1001913	4014486489767
17		Z59286	1	1001911	4014486489736

T 660

1		H175628	1	1000180	4014486462098
2		H174455	1	1003217	4014486482454
3		H146636	1	1004193	4014486558487
4		Z59557	1	1001388	4014486475043
5		H141166	1	1001394	4014486475128
6		H128010	1	1000797	4014486472165
7		H115881	1	1003663	4014486490817
8		H176766	1	1001756	4014486519556
8	FOR HILLMASTER ONLY	H202821	1	1001759	4014486519563
9		Z103844	1	1001815	4014486488302
10	FOR N=450 RPM - 3 GROOVES	Z103844	1	1001815	4014486488302
10	FOR N=900 RPM - 2 GROOVES	Z103845	1	1001571	4014486484748
11		H139963	1	1000221	4014486462852
12		H176765	1	1001789	4014486519686
13		H152146	1	1001435	4014486459432
14		AH158880	2	1002861	4014486469400
15		H177177	1	1001905	4014486489668
16	FOR CORN	H177178	1	1001913	4014486489767
17		Z59286	1	1001911	4014486489736

T 670

1		H175628	1	1000180	4014486462098
2		H174455	1	1003217	4014486482454
3		H146636	1	1004193	4014486558487
4		Z59557	1	1001388	4014486475043
5		H141166	1	1001394	4014486475128
6		H128010	1	1000797	4014486472165
7		H115881	1	1003663	4014486490817



JOHN DEERE – TURF N CARE

737 Z-Trak AC Gas Engine W/54"

MOWER DECK	TCU12829	1	1003102	4014486480337
------------	----------	---	---------	---------------

737 Z-Trak AC Gas Engine W/54IN

MOWER DECK	TCU16026	1	1003104	4014486519303
------------	----------	---	---------	---------------

737 Z-Trak AC Gas Engine W/60"

MOWER DECK	TCU12829	1	1003102	4014486480337
------------	----------	---	---------	---------------

737 Z-Trak AC Gas Engine W/60IN

MOWER DECK	TCU16026	1	1003104	4014486519303
------------	----------	---	---------	---------------

757 Z-Trak AC Gas Engine W/54

Mower Deck	TCU12829	1	1003102	4014486480337
------------	----------	---	---------	---------------

757 Z-Trak AC Gas Engine W/54IN

Mower Deck	TCU16026	1	1003104	4014486519303
------------	----------	---	---------	---------------

757 Z-Trak AC Gas Engine W/60

Mower Deck	TCU12829	1	1003102	4014486480337
------------	----------	---	---------	---------------

757 Z-Trak AC Gas Engine W/60IN

Mower Deck	TCU16026	1	1003104	4014486519303
------------	----------	---	---------	---------------

777 Z-TRAK

MOWER DECK	TCU16841	1	1003107	4014486519310
------------	----------	---	---------	---------------

MOWER DECK	TCU16841	1	1003107	4014486519310
------------	----------	---	---------	---------------

MULCH ON DEMAND DECK	TCU16841	1	1003107	4014486519310
----------------------	----------	---	---------	---------------

777 Z-TRAK W/60IN

MOWER DECK	TCU16026	1	1003104	4014486519303
------------	----------	---	---------	---------------

MULCH ON DEMAND DECK	TCU16026	1	1003104	4014486519303
----------------------	----------	---	---------	---------------

777 Z-TRAK W/72IN

MOWER DECK	TCU16026	1	1003104	4014486519303
------------	----------	---	---------	---------------

797 Z-TRAK

MOWER DECK	TCU16841	1	1003107	4014486519310
------------	----------	---	---------	---------------

MOWER DECK	TCU16841	1	1003107	4014486519310
------------	----------	---	---------	---------------

797 Z-TRAK W/60IN

MOWER DECK	TCU16026	1	1003104	4014486519303
------------	----------	---	---------	---------------

797 Z-TRAK W/72IN

MOWER DECK	TCU16026	1	1003104	4014486519303
------------	----------	---	---------	---------------

MCS SYSTEM FOR Z-TRAK

(14 BUSHEL)	TCU16841	1	1003107	4014486519310
-------------	----------	---	---------	---------------

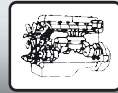
(14 BUSHEL)	TCU16841	1	1003107	4014486519310
-------------	----------	---	---------	---------------

MCS System For Z-Trak

	TCU16026	1	1003104	4014486519303
--	----------	---	---------	---------------

(14 BUSHEL)	TCU16026	1	1003104	4014486519303
-------------	----------	---	---------	---------------

(14 BUSHEL)	TCU16026	1	1003104	4014486519303
-------------	----------	---	---------	---------------



JOHN DEERE – TURF N CARE

MCS System for ZTrak W/54"

DECK (14 Bushel)	TCU12829	1	1003102	4014486480337
------------------	----------	---	---------	---------------

MCS System For Z-Trak W/54"

DECK (14 Bushel)	TCU12829	1	1003102	4014486480337
DECK (8 Bushel)	TCU12829	1	1003102	4014486480337

MCS System for ZTrak W/54IN

DECK (14 Bushel)	TCU16026	1	1003104	4014486519303
------------------	----------	---	---------	---------------

MCS System For Z-Trak W/54IN

DECK (14 Bushel)	TCU16026	1	1003104	4014486519303
DECK (8 Bushel)	TCU16026	1	1003104	4014486519303

MCS System for Ztrak W/60"

DECK (14 Bushel)	TCU12829	1	1003102	4014486480337
------------------	----------	---	---------	---------------

MCS System For Z-Trak W/60"

DECK (14 Bushel)	TCU12829	1	1003102	4014486480337
DECK (8 Bushel)	TCU12829	1	1003102	4014486480337
DECK (8 Bushel)	TCU12829	1	1003102	4014486480337

MCS System for Ztrak W/60IN

DECK (14 Bushel)	TCU16026	1	1003104	4014486519303
------------------	----------	---	---------	---------------

MCS System For Z-Trak W/60IN

MOWER DECK	TCU12829	1	1003102	4014486480337
DECK (14 Bushel)	TCU16026	1	1003104	4014486519303
DECK (8 Bushel)	TCU16026	1	1003104	4014486519303
DECK (8 Bushel)	TCU16026	1	1003104	4014486519303

Mulch On Demand Deck Option for ZTrak W/60IN

DECK	TCU16026	1	1003104	4014486519303
------	----------	---	---------	---------------

Mulch On Demand Deck Option For Z-Trak W/60IN

DECK	TCU16026	1	1003104	4014486519303
------	----------	---	---------	---------------

Mulch On Demand Deck W/60"

DECK	TCU12829	1	1003102	4014486480337
DECK	TCU12829	1	1003102	4014486480337

V-FLEX 7-IRON

MOWER DECK (FOR 1400 & 1500 SERIES FRONT MOWERS)	TCU13749	1	1003103	4014486480306
--	----------	---	---------	---------------

Z710A Z-Trak Series Mower

MOWER DECK	TCU29452	1	1004778	4014486716894
MOWER DECK	TCU29452	1	1004778	4014486716894
MOWER DECK	TCU29453	1	1004781	4014486716924
MOWER DECK	TCU29453	1	1004781	4014486716924

Z720A Z-Trak Series W/60IN

MOWER DECK	TCU29454	1	1004784	4014486716955
------------	----------	---	---------	---------------



JOHN DEERE – TURF N CARE

Z910A Z-Trak Pro Series Mower

MOWER DECK	TCU29452	1	1004778	4014486716894
MOWER DECK	TCU29452	1	1004778	4014486716894
MOWER DECK	TCU29453	1	1004781	4014486716924
MOWER DECK	TCU29453	1	1004781	4014486716924

Z915B W/48IN

MOWER DECK	TCU30510	1	1004779	4014486716900
MOWER DECK DRIVE	TCU31132	1	1004775	4014486716863
MOWER DECK DRIVE	TCU31132	1	1004782	4014486716931

Z915B W/54IN

MOWER DECK	TCU30510	1	1004779	4014486716900
MOWER DECK DRIVE	TCU31132	1	1004775	4014486716863
MOWER DECK DRIVE	TCU31132	1	1004782	4014486716931

Z920A Z-Trak Pro Series Mower

MOD MOWER DECK	TCU29452	1	1004778	4014486716894
MOWER DECK	TCU29452	1	1004778	4014486716894
MOWER DECK	TCU29452	1	1004778	4014486716894
MOWER DECK	TCU29452	1	1004778	4014486716894
MOD MOWER DECK	TCU29453	1	1004781	4014486716924
MOWER DECK	TCU29453	1	1004781	4014486716924
MOWER DECK	TCU29453	1	1004781	4014486716924
MOWER DECK	TCU29453	1	1004781	4014486716924

Z920A Z-Trak Pro Mower W/48IN

MOD MOWER DECK	TCU29454	1	1004784	4014486716955
MOWER DECK	TCU29454	1	1004784	4014486716955

Z920A Z-Trak Pro Mower W/54IN

MOWER DECK	TCU29454	1	1004784	4014486716955
------------	----------	---	---------	---------------

Z920A Z-Trak Pro Mower W/60IN

MOWER DECK	TCU29454	1	1004784	4014486716955
------------	----------	---	---------	---------------

Z920M W/48IN

MOWER DECK	TCU30356	1	1004785	4014486716962
MOWER DECK	TCU30510	1	1004779	4014486716900
MOWER DECK DRIVE	TCU31132	1	1004775	4014486716863
MOWER DECK DRIVE	TCU31132	1	1004782	4014486716931

Z920M W/54IN

MOWER DECK	TCU30356	1	1004785	4014486716962
MOWER DECK	TCU30510	1	1004779	4014486716900
MOWER DECK DRIVE	TCU31132	1	1004775	4014486716863
MOWER DECK DRIVE	TCU31132	1	1004782	4014486716931

Z920M W/60IN

MOWER DECK	TCU30356	1	1004785	4014486716962
MOWER DECK	TCU30510	1	1004779	4014486716900
MOWER DECK DRIVE	TCU31132	1	1004775	4014486716863
MOWER DECK DRIVE	TCU31132	1	1004782	4014486716931



JOHN DEERE – TURF N CARE

Z920R W/48IN

MID-Z MOWER DECK	TCU30510	1	1004779	4014486716900
MID-Z MOWER DECK	TCU31132	1	1004782	4014486716931
MOWER DECK DRIVE	TCU31132	1	1004775	4014486716863

Z920R W/54IN

MID-Z ISO MOWER DECK	TCU30510	1	1004779	4014486716900
MID-Z MOWER DECK	TCU30510	1	1004779	4014486716900
MID-Z ISO MOWER DECK	TCU31132	1	1004782	4014486716931
MID-Z MOWER DECK	TCU31132	1	1004782	4014486716931
MOWER DECK DRIVE	TCU31132	1	1004775	4014486716863
MOWER DECK DRIVE	TCU31132	1	1004775	4014486716863

Z925A Z-Trak Pro Series Mower

MOD MOWER DECK	TCU29453	1	1004781	4014486716924
MOWER DECK	TCU29453	1	1004781	4014486716924
MOWER DECK	TCU29453	1	1004781	4014486716924

Z925A Z-Trak EFI Pro Series

MOD MOWER DECK	TCU29454	1	1004784	4014486716955
MOWER DECK	TCU29454	1	1004784	4014486716955

Z925A Z-Trak EFI Pro Series Mower

MOD MOWER DECK	TCU29453	1	1004781	4014486716924
MOWER DECK	TCU29453	1	1004781	4014486716924

Z925A Z-Trak Pro Mower W/54IN

MOD MOWER DECK	TCU29454	1	1004784	4014486716955
MOWER DECK	TCU29454	1	1004784	4014486716955

Z925A Z-Trak Pro Mower W/60IN

MOWER DECK	TCU29454	1	1004784	4014486716955
------------	----------	---	---------	---------------

Z925M-EFI W/54IN

MOWER DECK	TCU30356	1	1004785	4014486716962
MOWER DECK DRIVE	TCU31132	1	1004775	4014486716863
MOWER DECK DRIVE	TCU31132	1	1004782	4014486716931

Z925M-EFI W/60IN

MOWER DECK	TCU30356	1	1004785	4014486716962
MOWER DECK DRIVE	TCU31132	1	1004775	4014486716863
MOWER DECK DRIVE	TCU31132	1	1004782	4014486716931

Z930A W/60IN

Pro Series Mower Mod Mower Deck	TCU29455	1	1004787	4014486716986
Pro Series Mower Mower Deck	TCU29455	1	1004787	4014486716986

Z930A W/72IN

Pro Series Mower Mower Deck	TCU29455	1	1004787	4014486716986
-----------------------------	----------	---	---------	---------------

Z930A Z-Trak Pro Mower W/60IN

MOD MOWER DECK	TCU29454	1	1004784	4014486716955
MOWER DECK	TCU29454	1	1004784	4014486716955



JOHN DEERE – TURF N CARE

Z930A Z-Trak Pro Mower W/72IN

MOWER DECK	TCU29454	1	1004784	4014486716955
------------	----------	---	---------	---------------

Z930M EFI MowerIN

MOD-Z MOWER DECK	TCU30356	1	1004785	4014486716962
------------------	----------	---	---------	---------------

Z930M EFI W/60IN

MID-Z MOWER DECK	TCU30356	1	1004785	4014486716962
------------------	----------	---	---------	---------------

Z930M W/60IN

MID-Z MOWER DECK	TCU30356	1	1004785	4014486716962
MOD-Z MOWER DECK	TCU30356	1	1004785	4014486716962
MID-Z MOWER DECK	TCU31194	1	1004786	4014486716979
MOD-Z MOWER DECK	TCU31194	1	1004786	4014486716979

Z930M W/72IN

MID-Z MOWER DECK	TCU30356	1	1004785	4014486716962
MID-Z MOWER DECK	TCU31194	1	1004786	4014486716979

Z930R

	TCU30356	1	1004785	4014486716962
--	----------	---	---------	---------------

Z950A W/60IN

Pro Series Mower Mod Mower Deck	TCU29455	1	1004787	4014486716986
Pro Series Mower Mower Deck	TCU29455	1	1004787	4014486716986

Z950A W/72IN

Pro Series Mower Mower Deck	TCU29455	1	1004787	4014486716986
-----------------------------	----------	---	---------	---------------

Z950A Z-Trak Pro Mower W/60IN

MOD MOWER DECK	TCU29454	1	1004784	4014486716955
MOWER DECK	TCU29454	1	1004784	4014486716955

Z950A Z-Trak Pro Mower W/72IN

MOWER DECK	TCU29454	1	1004784	4014486716955
------------	----------	---	---------	---------------

Z950R W/60IN

MID-Z MOWER DECK	TCU30356	1	1004785	4014486716962
MOD-Z MOWER DECK	TCU30356	1	1004785	4014486716962
MID-Z MOWER DECK	TCU31194	1	1004786	4014486716979
MOD-Z MOWER DECK	TCU31194	1	1004786	4014486716979

Z950R W/72IN

MID-Z MOWER DECK	TCU30356	1	1004785	4014486716962
MID-Z MOWER DECK	TCU31194	1	1004786	4014486716979

Z960A W/60IN

Pro Series Mower Mod Mower Deck	TCU29455	1	1004787	4014486716986
Pro Series Mower Mower Deck	TCU29455	1	1004787	4014486716986

Z960A W/72IN

Pro Series Mower Mower Deck	TCU29455	1	1004787	4014486716986
-----------------------------	----------	---	---------	---------------



JOHN DEERE – TURF N CARE

Z960A Z-Trak Pro Mower W/60IN

MOD MOWER DECK	TCU29454	1	1004784	4014486716955
MOWER DECK	TCU29454	1	1004784	4014486716955

Z960A Z-Trak Pro Mower W/72IN

MOWER DECK	TCU29454	1	1004784	4014486716955
------------	----------	---	---------	---------------

Z960R W/60IN

MID-Z MOWER DECK	TCU30356	1	1004785	4014486716962
MOD-Z MOWER DECK	TCU30356	1	1004785	4014486716962
MID-Z MOWER DECK	TCU31194	1	1004786	4014486716979
MOD-Z MOWER DECK	TCU31194	1	1004786	4014486716979

Z960R W/72IN

MID-Z MOWER DECK	TCU30356	1	1004785	4014486716962
MID-Z MOWER DECK	TCU31194	1	1004786	4014486716979

Z970A W/72IN

Pro Series Mower Mower Deck	TCU29455	1	1004787	4014486716986
-----------------------------	----------	---	---------	---------------

Z970R

MOWER	TCU31194	1	1004786	4014486716979
-------	----------	---	---------	---------------