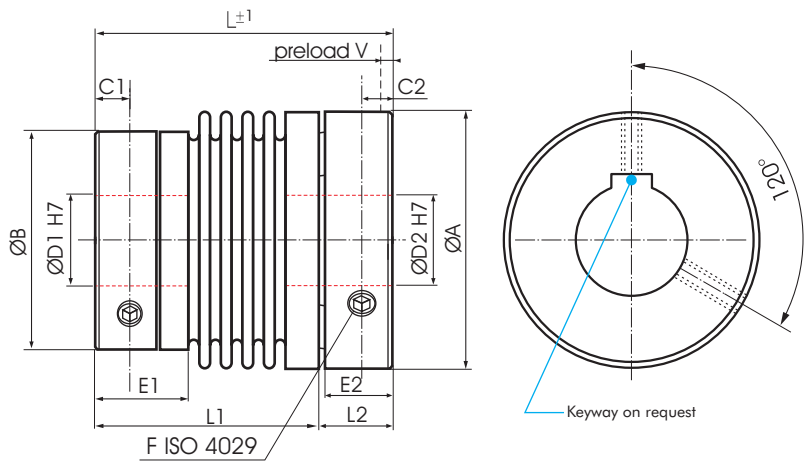
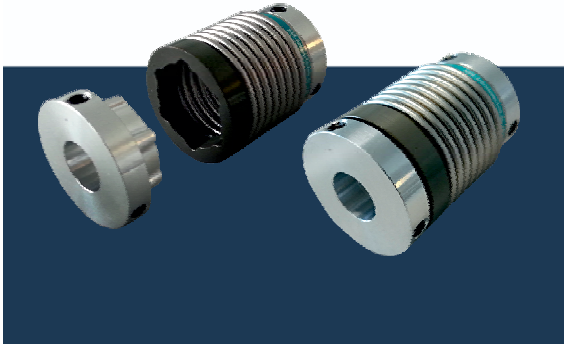


Miniature Metal Bellows Coupling

axial pluggable, with Set Screws

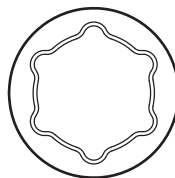


Order Code: KB 1P / 15 - 32 - 5 - 10 - D

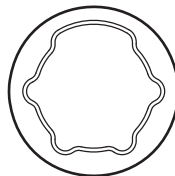
Type / Size Length Bore D1 Bore D2 multi/single

	Torque TKN (Nm)	Dimensions (mm)								Technical Ratings								
		L Length	Ø A Plug Hub Ø	Ø B Set Screw Ø	Bore Sizes (H7)		C1	C2	F Screw ISO 4029 TA (Nm)	Mass (g)	Moment of Inertia J (g cm ²)	Spring Stiffness			Misalignment			
					min ~ max	min ~ max						torsional CT (Nm/rad)	radial CR (N/mm)	axial CA (N/mm)	radial ΔKr (mm)	axial ΔKa (mm)	angular ΔKw (°)	
KB1P/5	0.5	22	15.5	13.5	3-8	3-8	2	2	1xM3	5.9	1.9	260	43	13	0.1	0.2	1	
		26								6.6	2.2	200	18	10	0.15	0.3	1.5	
		30								0.5	7.4	2.4	160	9	8	0.2	0.4	2
KB1P/10	1	24	15.5	13.5	3-8	3-8	2	2	1xM3	8.1	2.7	510	74	27	0.1	0.2	1	
		28								8.8	2.9	380	31	20	0.15	0.3	1.5	
		32								0.5	10.3	3.4	310	16	16	0.2	0.4	2
KB1P/15	1.5	28	20	19	3-12	3-10	3	2.5	2xM4	14.7	8.8	750	59	15	0.1	0.3	1.5	
		32								1.5	17.6	10.9	700	20	9	0.15	0.4	2
		37								1.5	16.2	13.5	1500	67	12	0.15	0.3	1.5
KB1P/20	2	27	25	21.5	3-14	3-14	3	2.5	2xM4	19.1	18.5	1300	21	11	0.2	0.4	1.5	
		33								1.5	22	19.9	1050	11	9	0.25	0.5	2
		37								1.5	64.7	100	6500	168	32	0.1	0.3	1.5
KB1P/45	4.5	44	32.5	29	6-19	6-16	4	4	2xM6	73.5	116	4200	41	20	0.2	0.5	2	
		52								1.5	88.2	220.5	8100	120	27	0.15	0.4	1.5
		60								1.5	116.1	308.7	6800	29	17	0.3	0.6	2

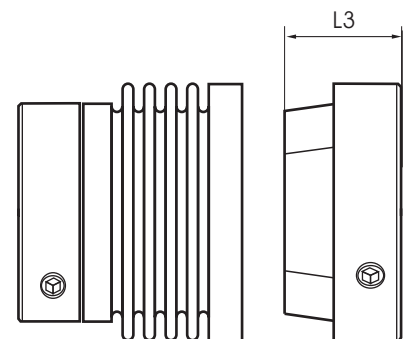
	Dimensions (mm)					
	E1	E2	L1	L2	L3	V
KB1P/5	6	6	17	5	9	0.5
			21			
			25			
KB1P/10	6	6	19	5	9	0.5
			23			
			27			
KB1P/15	8	6,5	22	6	11	0.5
			26			
			31			
KB1P/20	6	10	21	6	11	0.5
			27			
			31			
KB1P/45	12	13	35	9	16	0.5
			43			
			51			
KB1P/100	12	13	41	9	17	1
			51			
			51			



Version D:
multi position
(standard)



Version C:
single position
(on request)



⊙ Keyway DIN 6885 on request

⊙ Temperature Range: -30°C ~ 120°C

⊙ Material: Bellows - Stainless Steel, Hubs - Aluminium

⊙ Speed: max. 15000

