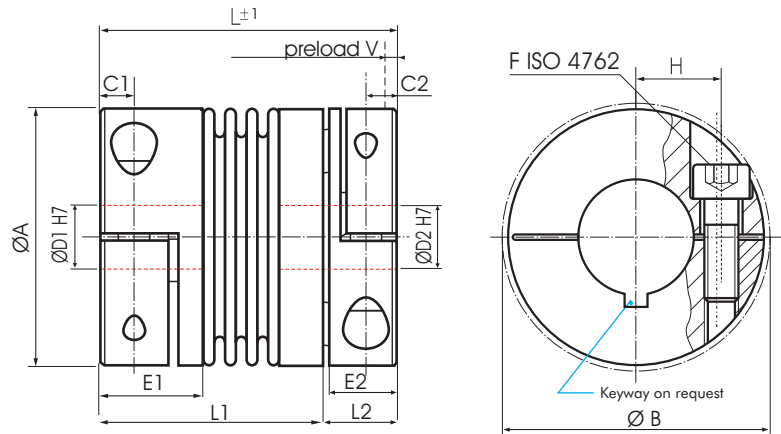


Miniature Metal Bellows Coupling

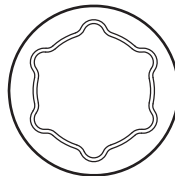
axial pluggable, with Collet Clamps



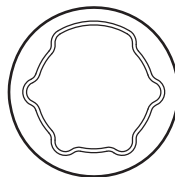
Order Code: KB 2P / 15 - 30 - 5 - 10 - D
 Type / Size Length Bore D1 Bore D2 multi/single

	Torque T _{KN} (Nm)	Dimensions (mm)								Technical Ratings								
		L Length	Ø A Plug Hub Ø	Ø B Max. Ø	D1/D2 Bore (H7) min ~ max	H	C1	C2	F Screw ISO 4762 T _A (Nm)	Mass (g)	Moment of Inertia J (g cm ²)	Spring Stiffness			Misalignment			
												torsional C _T (Nm/rad)	radial C _R (N/mm)	axial C _A (N/mm)	radial ΔK _r (mm)	axial ΔK _a (mm)	angular ΔK _w (°)	
KB2P/5	0.5	25	15.5	17.5	3-8	5.2	2.5	2.5	M2	8.7	3.1	260	43	13	0.1	0.2	1	
		29								9.1	3.3	200	18	10	0.15	0.3	1.5	
		32								0.43	9.6	3.5	160	9	8	0.2	0.4	2
KB2P/10	1	27	15.5	17.5	3-8	5.2	2.5	2.5	M2	10.5	3.6	510	74	27	0.1	0.2	1	
		30								10.8	3.9	380	31	20	0.15	0.3	1.5	
		32								0.43	11.7	4.3	310	16	16	0.2	0.4	2
KB2P/15	1.5	30	20	21	3-10	7	3	3	M2.5	15.2	9.3	750	59	15	0.1	0.3	1.5	
		35								0.85	17.5	10.8	700	20	9	0.15	0.4	2
										33.8	27.8	1500	67	12	0.15	0.3	1.5	
KB2P/20	2	37	25	27	3-14	9	3.5	3.5	M3	37.3	31.3	1300	21	11	0.2	0.4	1.5	
		43								2	38.5	33.6	1050	11	9	0.25	0.5	2
		47																
KB2P/45	4.5	49	32.5	34	6-16	12	5	5	M4	71	116	6500	168	32	0.1	0.3	1.5	
		58								3.5	78	129.9	4200	41	20	0.2	0.5	2
KB2P/100	10	56	40.5	41.5	6-25	15.5	5	5	M4	100	270.3	8100	120	27	0.15	0.4	1.5	
		66								4.5	123.5	336.4	6800	29	17	0.3	0.6	2

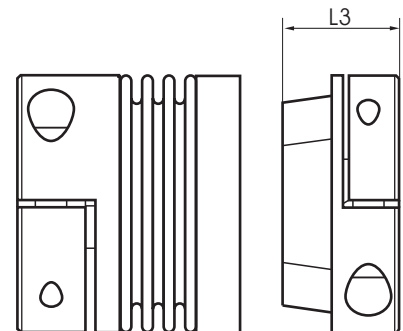
	Dimensions (mm)					
	E1	E2	L1	L2	L3	V
KB2P/5	8	6	18	7	11	0.5
			22			
			25			
KB2P/10	8	6	20	7	11	0.5
			23			
			25			
KB2P/15	9	6.5	22.5	7.5	12.5	0.5
			27.5			
KB2P/20	11	10	26	11	16	0.5
			32			
			36			
KB2P/45	14	13	35	14	21	0.5
			44			
KB2P/100	14	13	42	14	22	1
			52			



Version D:
multi position
(standard)



Version C:
single position
(on request)



⊙ Keyway DIN 6885 on request

⊙ Temperature Range: -30°C ~ 120°C

⊙ Material: Bellows - Stainless Steel, Hubs - Aluminium

⊙ Speed: max. 15000