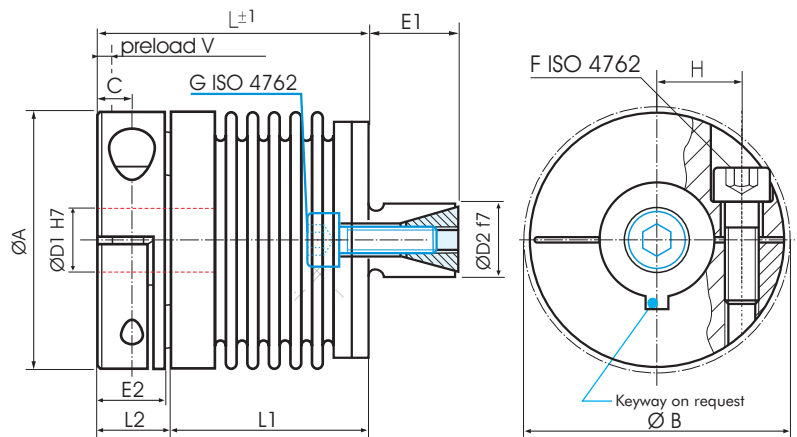
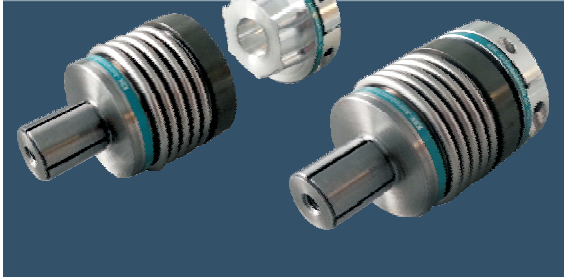


### Miniature Metal Bellows Coupling

axial pluggable, with Expanding Clamp

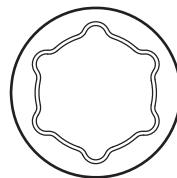


**Order Code: KB 3P / 15 - 29 - 5 - 10 - D**

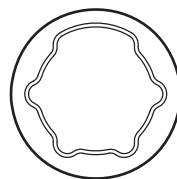
Type / Size      Length      Bore D1      Expanding multi/single Clamp D2

	Torque TKN (Nm)	Dimensions (mm)							Technical Ratings									
		L Length	Ø A Outer Ø	Ø B Max. Ø	D1 Bore (H7) min ~ max	D2 Expanding Clamp (f7) min ~ max	H	C	F/G Screw ISO 4762 TA (Nm)	Mass (g)	Moment of Inertia J (g cm <sup>2</sup> )	Spring Stiffness			Misalignment			
												torsional CT (Nm/rad)	radial CR (N/mm)	axial CA (N/mm)	radial ΔKr (mm)	axial ΔKa (mm)	angular ΔKw (°)	
KB3P/5	0.5	24	15.5	17.5	3-8	8-12	5.2	2.5	M2/M3	14.9	3.4	260	43	13	0.1	0.2	1	
		28								15.4	3.6	200	18	10	0.15	0.3	1.5	
		31								0.43/1	15.8	3.7	160	9	8	0.2	0.4	2
KB3P/10	1	26	15.5	17.5	3-8	8-12	5.2	2.5	M2/M3	16.4	3.8	510	74	27	0.1	0.2	1	
		30								17	4	380	31	20	0.15	0.3	1.5	
		34								0.43/1	17.8	4.2	310	16	16	0.2	0.4	2
KB3P/15	1.5	29	20	21	3-10	10-14	7	3	M2.5/M4	31.7	12.8	750	59	15	0.1	0.3	1.5	
		33								0.85/3	34.1	14	700	20	9	0.15	0.4	2
		39								46.7	29.1	1500	67	12	0.15	0.3	1.5	
KB3P/20	2	33	25	27	3-14	10-16	9	3.5	M3/M4	50.3	33.8	1300	21	11	0.2	0.4	1.5	
		43								2/3	57.2	34.9	1050	11	9	0.25	0.5	2
		44								100.7	114.1	6500	168	32	0.1	0.3	1.5	
KB3P/45	4.5	52	32.5	34	6-16	14-20	12	5	M4/M5	108.1	128	4200	41	20	0.2	0.5	2	
		52								3.5/5.9	108.1	128	4200	41	20	0.2	0.5	2
		52								157.1	273.5	8100	120	27	0.15	0.4	1.5	
KB3P/100	10	60	40.5	41.5	6-25	16-22	15.5	5	M4/M6	179.3	339.9	6800	29	17	0.3	0.6	2	
		60								4.5/10	179.3	339.9	6800	29	17	0.3	0.6	2
		60								179.3	339.9	6800	29	17	0.3	0.6	2	

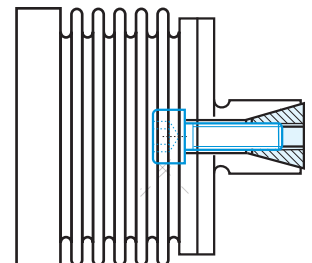
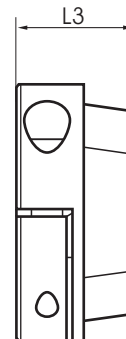
	Dimensions (mm)					
	E1	E2	L1	L2	L3	V
KB3P/5	8	6	17	7	11	0.5
			21			
			24			
KB3P/10	8	6	19	7	11	0.5
			23			
			27			
KB3P/15	12	6.5	21.5	7.5	12.5	0.5
			25.5			
			22			
KB3P/20	12	10	28	11	16	0.5
			32			
			30			
KB3P/45	16	13	38	14	21	0.5
			36			
			46			
KB3P/100	20	13	46	14	22	1
			46			
			46			



Version D:  
multi position  
(standard)



Version C:  
single position  
(on request)



⊙ Keyway DIN 6885 on request

⊙ Temperature Range: -30°C ~ 120°C

⊙ Material: Bellows - Stainless Steel, Hubs - Aluminium

⊙ Speed: max. 15000

