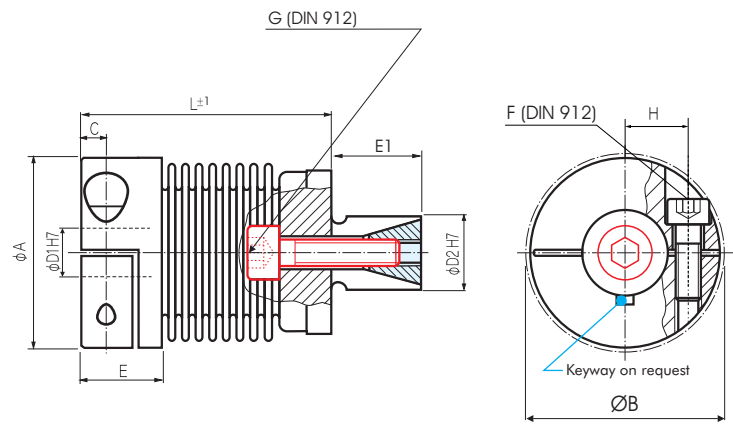


Miniature Metal Bellows Coupling



Order Code: KB 3 / 45 - 36 - 10 - 18 (- S)
 Type / Size Length L Ø D1 (H7) Ø D2 (H7) Options

	Torque T _{KN} (Nm)	Dimensions (mm)										Technical Ratings							
		L Length (±1)	Ø A Outer Ø	Bore Sizes (H7) min ~ max		Ø B Max. Ø	H	C	E	E1	F/G Screw (DIN 912) T _A (Nm)	Mass (g)	Moment of Inertia J (g cm ²)	Spring Stiffness			Misalignment		
				D1	D2									torsional C _T (Nm/rad)	radial C _R (N/mm)	axial C _A (N/mm)	radial ΔK _r (mm)	axial ΔK _a (mm)	angular ΔK _w (°)
KB3/5	0.5	20	15.5	3-8	8-12	17,5	5.2	2.5	8	8	M2/M3	12.8	2.9	260	43	13	0.1	0.2	1
		24										13.2	3.1	200	18	10	0.15	0.3	1.5
		27										13.5	3.2	160	9	8	0.2	0.4	2
KB3/10	1	22	15.5	3-8	8-12	17,5	5.2	2.5	8	8	M2/M3	14.1	3.3	510	74	27	0.1	0.2	1
		26										14.6	3.4	380	31	20	0.15	0.3	1.5
		30										15.3	3.6	310	16	16	0.2	0.4	2
KB3/15	1.5	25	20	3-10	10-14	21	7	3	9	12	M2.5/M4	27.2	11	750	59	15	0.1	0.3	1.5
		29										29.3	12	700	20	9	0.15	0.4	2
KB3/20	2	28	25	3-14	10-16	27	9	3.5	11	12	M3/M4	40.1	25	1500	67	12	0.15	0.3	1.5
		34										43.2	29	1300	21	11	0.2	0.4	1.5
		38										49.1	30	1050	11	9	0.25	0.5	2
KB3/45	4.5	36	32.5	6-16	14-20	34	12	5	14	16	M4/M5	86.5	98	6500	168	32	0.1	0.3	1.5
		44										92.9	110	4200	41	20	0.2	0.5	2
KB3/100	10	41	40.5	6-25	16-22	41,5	15.5	5	14	20	M4/M6	135	235	8100	120	27	0.15	0.4	1.5
		51										154	292	6800	29	17	0.3	0.6	2

- ⊙ Speed: max. 15000 min⁻¹
- ⊙ Hub: Bore Tolerance: H7 Keyway acc. DIN 6885 optional
- ⊙ Material: Bellows - Stainless Steel
Hub - Aluminium (also available in Stainless Steel)
- ⊙ Temperature Range: -30° ~ 120° C