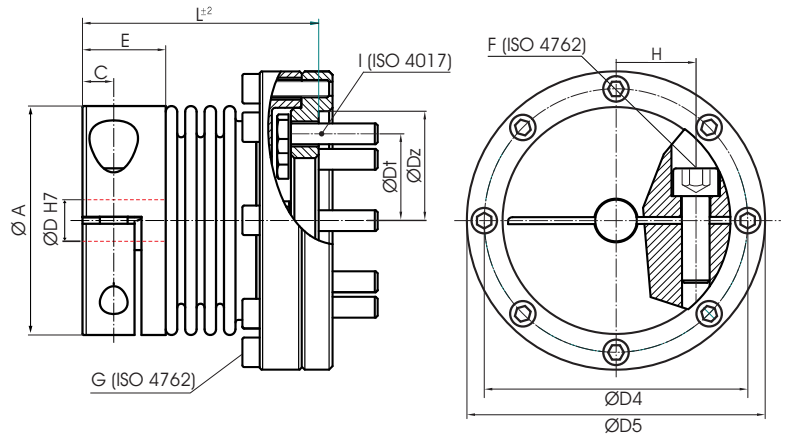


Bellows Couplings

with Flange Adaptor



Order Code: KB 4F / 150 - 79 - 30 - 63

Type / Size

Length

Ø D1
(H7)

Pitch
Circle

	Torque T_{KN} (Nm)	Dimensions (mm)							Technical Ratings									
		L	Ø A	D1	H	C	E	D4	F/G	Mass (kg)	Moment of Inertia J (g m ²)	Spring Stiffness			Misalignment			max Speed min ⁻¹
		Length (±2)	Outer Ø	Bore Sizes (H7)					Screw (DIN 912) T _A (Nm)			torsional C _T 10 ³ (Nm/rad)	radial C _R (N/mm)	axial C _A (N/mm)	radial ΔKr (mm)	axial ΔKa (mm)	angular ΔKw (°)	
KB4F/18	18	61	45	10-25.4	17	5.5	17.5	56.5	M5	0.50	0.15	20	205	50	0.2	0.5	1.5	12800
		8							15			82	36	0.25	0.5	2		
KB4F/30	30	61	56	10-30	20	7.3	21	65	M6	0.70	0.20	38	720	50	0.15	0.6	1.5	10300
		15							28			225	28	0.25	1.0	2		
KB4F/60	60	68	66	12-35	23	8.6	24	76	M8	1.00	0.65	75	1150	90	0.15	0.6	1.5	8700
		40							50			340	50	0.25	1.0	2		
KB4F/150	150	79	82	14-42	28	9.8	27	94	M10	1.65	1.30	155	2020	145	0.2	0.5	1.5	6900
		84							105			595	85	0.25	0.5	2		
KB4F/300	300	90	110	30-60	39	11.8	32.5	120	M12	2.90	5.50	502	6300	280	0.2	0.5	1.5	6000
		145							285			1400	145	0.25	0.8	2		
KB4F/500	500	100	122	35-70	45	13.3	36	142	M12	4.55	9.00	690	7790	100	0.2	0.5	1.5	5000
		145							320			970	85	0.25	1	2		
KB4F/1400	1400	140	157	50-80	55	22.5	55	171	2xM20	10.50	45	1270	700	275	0.2	0.8	1.8	5000
									470									

	Dimensions (mm)				
	G	D5	Dt	Dz	I
	Screw (ISO4762)				Screw (ISO4017)
KB4F/18	8 x M4	63.5	31.5	40	8 x M5
KB4F/30	8 x M5	74	40	50	8 x M6
KB4F/60	8 x M5	86	50	63	8 x M6
KB4F/150	8 x M6	104	63	80	12 x M6
KB4F/300	12 x M6	132	80	100	12 x M8
KB4F/500	12 x M8	155	100	130	12 x M10
KB4F/1400	16 x M8	184	125	160	12 x M10

Material: Bellows - Stainless Steel
Nubs - to Size 500 Aluminium,
Size 1400 Steel

Temperature Range: -30°C ~ 120°C