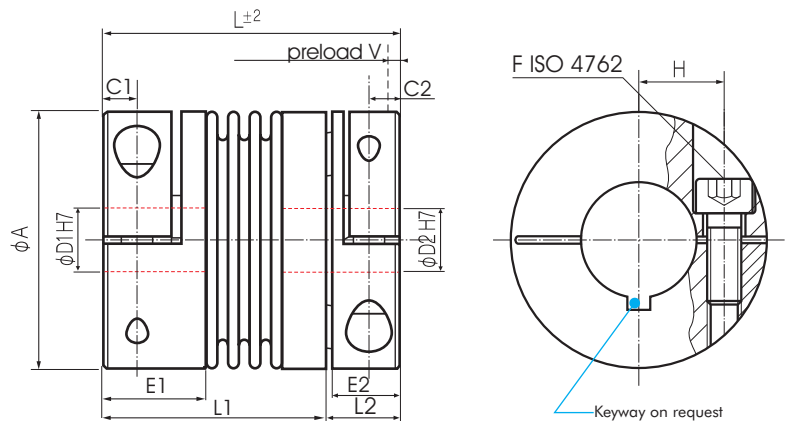


KB4P/18~500

Bellows Couplings : **KB4P Series**

Bellows Couplings

axial pluggable

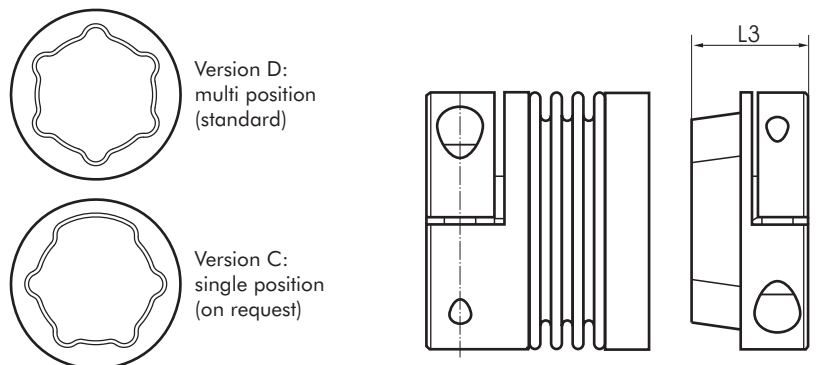


Order Code: KB 4P / 150 - 95 - 44 - 28 - D

Type / Size Length Bore D1 Bore multi/single D2

	Torque TKN (Nm)	Dimensions (mm)								Technical Ratings									
		L Length	Ø A Outer Ø	D1/D2 Bore Sizes (H7) von ~ bis	H	C1	C2	E1	E2	F Screw ISO 4762 TA (Nm)	Mass (kg)	Moment of Inertia J (g m ²)	Spring Stiffness			Misalignment			max. Speed (min ⁻¹)
													torsional CT 10 ³ (Nm/rad)	radial CR (N/mm)	axial CA (N/mm)	radial ØKR (mm)	axial ØKA (mm)	angular ØKW (°)	
KB4P/18	18	62/70	45	10-24	17	5.5	5.5	17.5	12	M5	0.14	0.05	20	205	50	0.2	0.5	1.5	12800
										8	0.19	0.06	15	82	36	0.25	0.5	2	
KB4P/30	30	73/81	56	10-30	20	7.5	7.3	24.5	17	M6	0.29	0.14	38	720	50	0.15	0.6	1.5	10300
										15	0.31	0.15	28	225	28	0.25	1.0	2	
KB4P/60	60	85/95	66	12-35	23	10	8.6	29	21	M8	0.47	0.33	75	1150	90	0.15	0.6	1.5	8700
										40	0.57	0.36	50	340	50	0.25	1.0	2	
KB4P/80	80	95/106	82	12-44	28	11	9.8	33.5	21.5	M10	0.81	0.89	128	1200	80	0.2	0.5	1.5	6900
										72	0.90	0.99	75	400	50	0.25	0.8	2	
KB4P/150	150	95/106	82	14-44	28	11	9.8	33.5	21.5	M10	0.91	1.08	155	2020	145	0.2	0.5	1.5	6900
										84	1.00	1.18	105	959	85	0.25	0.5	2	
KB4P/200	200	105/117	90	16-48	39	13	10.8	38	24	M12	1.16	1.47	175	2500	145	0.2	0.5	1.5	6400
										125	1.26	1.67	120	460	82	0.25	0.8	2	
KB4P/300	300	114/125	110	20-60	39	13	10.8	38	27	M12	1.68	3.33	502	6300	280	0.2	0.5	1.5	6000
										145	1.78	3.53	285	1400	145	0.25	0.8	2	
KB4P/500	500	136/147	122	25-70	45	15	13.3	42	42	M12	2.50	6.21	690	7790	100	0.2	0.5	1.5	5000
										145	2.60	6.41	320	970	85	0.25	1.0	2	

	Dimensions (mm)			
	L1	L2	L3	V
KB4P/18	40/48	14	22	0.5-1.0
KB4P/30	54/62	19	31	0.5-1.0
KB4P/60	62/72	23	35	0.5-1.5
KB4P/80	71.5/82.5	23.5	37.5	0.5-1.5
KB4P/150	71.5/82.5	23.5	37.5	0.5-1.5
KB4P/200	79/91	26	42	0.5-1.5
KB4P/300	85/96	29	47	0.5-1.5
KB4P/500	92/103	44	66	0.5-2.0



☉ Temperature Range: -30°C ~ 120°C

☉ Material: Bellows - Stainless Steel
 Hubs - Aluminium

