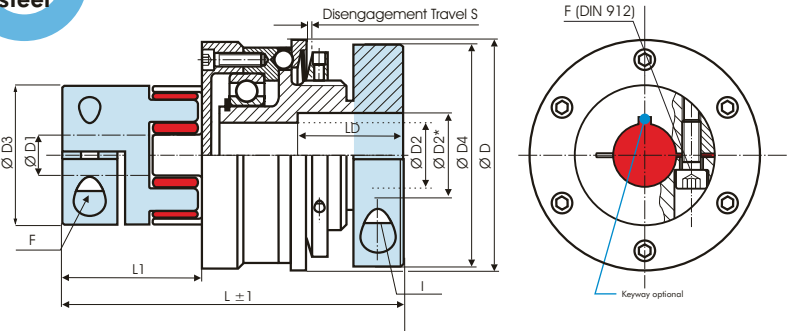


Safety Coupling

with 2 Collet Clamps



Order Code: KBK/EKK - 24 - 126.5 - 16H7 - 14H7 - 20Nm - C or D - 2

Type - Size Length Bore D1 (H7) Bore D2 (H7) Disengagement Torque **C or D** Overload Torque Range
 C = Single Position, D = Multi Position Engagement

KBK/EKK-x	Dimension (mm)										Technical Ratings								
	Ø D	L	Ø D1	Ø D2	Ø D3	Ø D4	F	I	L1	S	Maximum Speed rpm. (1/min)	Mass (kg)	Moment of Inertia J (kg cm ²)	Torque 98 Sh T _{KN} (Nm)	Overload Torque adjustable		Misalignment		
	Outer Ø	Length	Bore Size (H7) min ~ max	Bore Size (H7) min ~ max			Screw (DIN 912) T _A (Nm)	Screw (DIN 912) T _A (Nm)							1 T _{KN} (Nm)	2 T _{KN} (Nm)	radial ΔK _r (mm)	axial ΔK _a (mm)	angular ΔK _w (°)
-14	49	65	4-16	6-16	30	40.5	M3 1.4	M4 5.1	24	0.7	11690	0.24	0.6	12.5	3-7	5-10	0.09	+1.0 -0.5	0.9
-19	64	100 92	10-22	10-20	40	56	M6/11 M6/11	M6 15	41 33	1.2	8950	0.79	3.2	17	5-15	10-30	0.06	+1.2 -0.5	0.9
-24	79	126.5 116.5	15-32	12-28	55	66	M6/11 M6/11	M8 36	50 40	1.2	7630	1.46	8.9	60	12-35	20-60	0.10	+1.4 -0.5	0.9
-28	94	142 128	19-38	14-35	65	82	M8/25 M8/25	M10 72	59 45	2	6030	3.1	27	160	50-130	65-150	0.11	+1.5 -0.7	0.9
-38	119	160 146	20-45	30-50	80	110	M8/25 M10/49	M12 125	67 59	2	4980	5.7	86	325	60-200	150-300	0.12	+1.8 -0.7	0.9
-42	129	195	28-45	35-56	95	122	M10 70	M12 125	76	2	4440	8.5	150	450	80-250	200-500	0.14	+2.0 -1.0	0.9

Size	2	4.5	7	10	30	60	80	150	200	300	500
D2*	11	X	20	20	26	31	38	38	X	57	62
LD	15	X	20	20	28	38	34	34	X	42	56

Keyway acc. DIN 6885 optional

Temperature Range: -30°C ~ 90°C

Bore > Ø D1 and ≤ D1* only possible over LD

Material: Insert: Polyurethane 98 Sh A red
Collet Clamp: Aluminum

Slit (Sizes 14 and 19): single*
Slit (Sizes 24 - 42): double

* Short lengths are automatically with single slits.