



AGRO POWER

Application guide



Edition 1/2013

HIGH-TECH MACHINES REQUIRE HIGH-TECH DRIVE TECHNOLOGY

The company OPTIBELT has been manufacturing drive belts in the most diverse designs since 1948 – based on over one hundred years of experience in rubber processing. Due to constant investments in material research and production technology as well as to the increasing knowledge about the basic conditions which are linked to the various application areas, the performance limits of machines have been shifted via the advancement of the belts to the high-tech drive elements of today.

OPTIBELT AGRO POWER Quality belts made by OPTIBELT

Bigger, faster, further – extraordinary top performances have always fascinated people in all areas of technology. Again and again, engineers, scientists and researchers are going beyond the limits of feasibility.

However, what is it that drives us to develop something unique?

Why do we always want to be one step ahead of competition?

Our motivation lies in passion and precision. Brand-name products by OPTIBELT are an active investment protection for you.

As our drive belts stay invisible in your products, we add what is often missing elsewhere: responsibility and quality.

Day by day, we set examples with our top products, the OPTIBELT AGRO POWER series, and make sure that the best solution is implemented for every application. Everywhere around the world.

Passion
meets
precision



HOW WE GET OUR DRIVE

OPTIBELT is characterised by this passion for technology.

Every employee adds her/his special knowledge, enthusiasm, visions and initiatives for technological advance on the highest level. That you can be sure of!

No machines without drive technology. If you imagine the modern world without drive technology, there would not be much left operating. Without drive technology machines would be unthinkable. Drive technology makes sure that the primary power of an engine is transformed for diverse working processes and thus made usable. Here, it is most important that the power of the engine is adapted to the process with help of the functional elements.

First and foremost, the belts are the central and most efficient element of it all. They stretch almost all shaft distances at comparably low costs and low maintenance. And they achieve this without lubrication or guidance elements.

Thus, drive technology with belts is far superior to roller chain drives or spur wheel sections. The diverse application areas, their adaptability and economy have made belt drives become an essential part of mechanical engineering in all sectors.

HOW WE FOSTER OUR COMPANY VALUES

Internationally, OPTIBELT is highly estimated and represents excellent brand quality – made in Germany.

This rating is not least the result of our believe, as a family-run company, in our roots in Höxter and thus, in the location Germany.

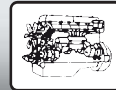
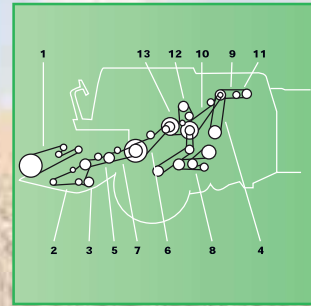
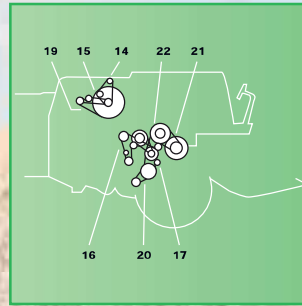
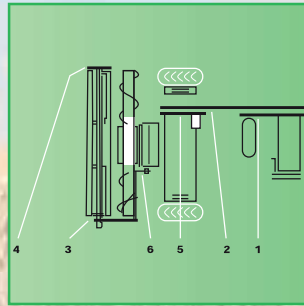
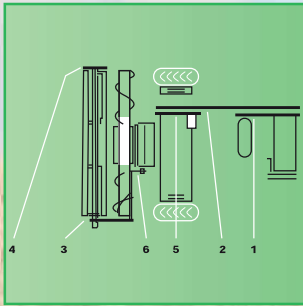
In addition to that, the company history of OPTIBELT is closely linked with groundbreaking technical developments: from industrialisation to the automated world.

OPTIBELT has faced each of these milestones with clear sight and pioneer spirit.

This interaction of tradition and innovativeness characterises the key values of our company. For over 140 years now.

We are keeping our company philosophy even as a modern company: in our international distribution companies as well as in our production and service companies. Here, the training and further education is the key factor for the consistent quality that you can always expect from our products. Your advantage: We exceed the standards of our competitors by far and meet requirements such as just-in-time production, on-stock availability, customer proximity, support and flexibility with ease and commitment.

Because your drive drives us!



NEW HOLLAND

1520

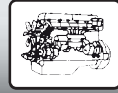
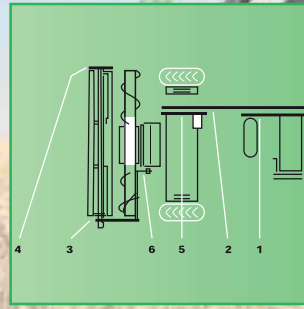
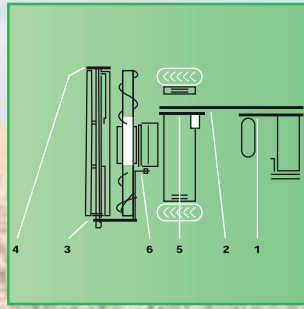
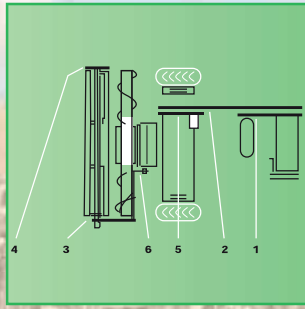
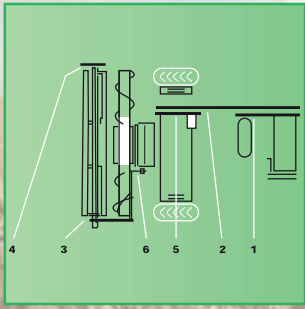
1	REEL DRIVE	80333255	1	1000775	4014486471847
2	KNIFE DRIVE	337415	1	1000625	4014486469738
2	KNIFE DRIVE	80337415	1	1000625	4014486469738
3	REEL DRIVE VARIABLE SPEED	80334065	1	1001403	4014486459098
4	INTERMEDIATE SHAFT - KNIFE	80330715	1	1000726	4014486471182
5	STRAW ELEVATOR DRIVE	80230059	1	1000654	4014486470178
8	HYDRAULIC PUMP DRIVE	80230043	1	1003400	4014486462906
10	ECCENTRIC DRIVE	80230061	1	1000717	4014486471076
11	STRAW WALKER	80230046	1	1004468	4014486712124
12	FAN DRIVE (DEUTZ ENGINE)	80327040	1	1002267	4014486478358
14	FAN BELT (FORD ENG)	80371222	1	1002547	4014486494778
15	TAILINGS ELEVATOR	80230046	1	1004468	4014486712124
16	UNLOADING SYSTEM	80326298	1	1003489	4014486468427
17	DRUM DRIVE VARIABLE SPEED	80230078	1	1001509	4014486460254
18	FAN DRIVE VARIABLE SPEED	330204	1	1000243	4014486463613
18	FAN DRIVE VARIABLE SPEED	80330204	1	1000243	4014486463613

1530

1	REEL DRIVE	80333255	1	1000775	4014486471847
2	KNIFE DRIVE	80337415	1	1000625	4014486469738
3	REEL DRIVE VARIABLE SPEED	80334065	1	1001403	4014486459098
4	INTERMEDIATE KNIFE DRIVE	80330715	1	1000726	4014486471182
5	STRAW ELEVATOR DRIVE	80230073	1	1000904	4014486473506
6	ECCENTRIC SHAFT DRIVE	80230060	1	1003534	4014486470536
9	HYDRAULIC PUMP DRIVE	80230043	1	1003400	4014486462906
11	FAN DRIVE (DEUTZ ENGINE)	80336386	1	1000027	4014486483482
12	ALTERNATOR DRIVE (DEUTZ ENGINE)	386155	1	1000022	4014486483420
12	ALTERNATOR DRIVE (DEUTZ ENGINE)	80336426	1	1000020	4014486483390
12	ALTERNATOR DRIVE (DEUTZ ENGINE)	80386155	1	1000022	4014486483420
13	FAN BELT (FORD ENG)	80371222	1	1002547	4014486494778
14	ELEVATOR DRIVE GRAIN	80230059	1	1000654	4014486470178
16	TAILINGS ELEVATOR DRIVE	80230057	1	1000603	4014486469370
18	UNLOADING SYSTEM	80230103	1	1000881	4014486473216
19	DRUM DRIVE VARIABLE SPEED	80230078	1	1001509	4014486460254
20	FAN DRIVE VARIABLE SPEED	80230056	1	1003232	4014486518658
21	STRAW WALKER - ECCENTRIC	80230108	1	1003452	4014486465617

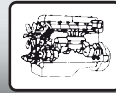
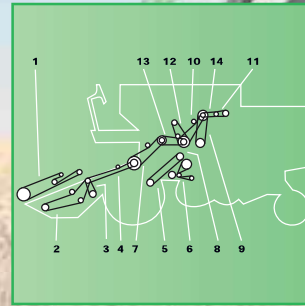
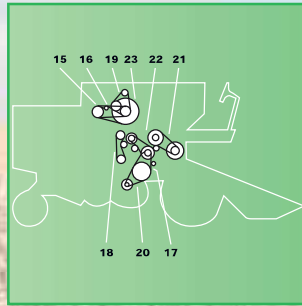
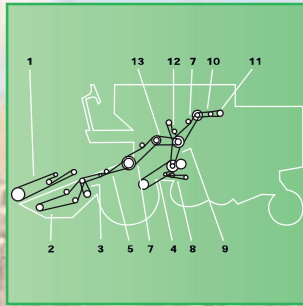
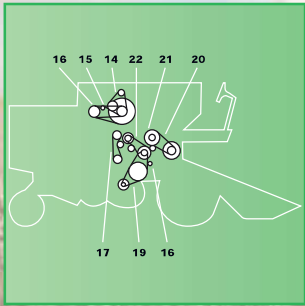
1540

1	REEL DRIVE	80333255	1	1000775	4014486471847
2	KNIFE DRIVE	80337415	1	1000625	4014486469738
3	REEL DRIVE VARIABLE SPEED	80334065	1	1001403	4014486459098
4	SICKLE KNIFE DRIVE	80362500	2	1002788	4014486466201
5	DRUM DRIVE VARIABLE SPEED	80336784	1	1001506	4014486460216
7	MAIN SHAFT DRIVE	80323646	1	1001949	4014486490541
8	UNLOADING SYSTEM	80333958	1	1000715	4014486471052
9	DRUM DRIVE VARIABLE SPEED	80336784	1	1001506	4014486460216
12	ELEVATOR DRIVE GRAIN	80230164	1	1000622	4014486469660
12	GRAIN ELEVATOR DRIVE	80353584	1	1000734	4014486471281
14	TAILINGS ELEVATOR DRIVE	80323413	1	1000577	4014486468922
16	FAN DRIVE	80230059	1	1000654	4014486470178
19	DEUTZ ENGINE	80336386	1	1000027	4014486483482
19	FAN BELT (FORD ENG)	80371222	1	1002547	4014486494778
19	DEUTZ ENGINE	80386155	1	1000022	4014486483420



NEW HOLLAND

0	HYDRAULIC PUMP DRIVE	80350236	1	1003640	4014486489002
1545					
1	REEL DRIVE	80333255	1	1000775	4014486471847
2	KNIFE DRIVE	80337415	1	1000625	4014486469738
3	REEL DRIVE VARIABLE SPEED	80334065	1	1001403	4014486459098
5	STRAW ELEVATOR DRIVE	80230073	1	1000904	4014486473506
6	ECCENTRIC SHAFT DRIVE	80230060	1	1003534	4014486470536
9	HYDRAULIC PUMP DRIVE	80230043	1	1003400	4014486462906
11	STRAW WALKER DRIVE	80230108	1	1003452	4014486465617
12	FAN BELT (FORD ENG)	80371222	1	1002547	4014486494778
13	ELEVATOR DRIVE GRAIN	80230059	1	1000654	4014486470178
14	TAILINGS ELEVATOR DRIVE	80230057	1	1000603	4014486469370
16	DRUM DRIVE VARIABLE SPEED	80230078	1	1001509	4014486460254
17	FAN DRIVE VARIABLE SPEED	80230056	1	1003232	4014486518658
1550					
1	REEL DRIVE	80333255	1	1000775	4014486471847
2	KNIFE DRIVE	80337415	1	1000625	4014486469738
3	REEL DRIVE VARIABLE SPEED	80334065	1	1001403	4014486459098
4	INTERMEDIATE SHAFT, KNIFE	80362500	2	1002788	4014486466201
5	DRUM DRIVE VARIABLE SPEED	80336784	1	1001506	4014486460216
6	HYDRAULIC PUMP DRIVE	80230043	1	1003400	4014486462906
7	MAIN SHAFT DRIVE	80323646	1	1001949	4014486490541
8	UNLOADING SYSTEM	80333958	1	1000715	4014486471052
9	DRUM DRIVE VARIABLE SPEED	80336784	1	1001506	4014486460216
10	GROUND SPEED DRIVE	80356025	1	1001525	4014486460445
11	GROUND SPEED VARIATOR DRIVE	80356025	1	1001525	4014486460445
14	ELEVATOR DRIVE GRAIN	80230164	1	1000622	4014486469660
16	TAILINGS ELEVATOR DRIVE	80323413	1	1000577	4014486468922
21	GRAIN ELEVATOR DRIVE	80353584	1	1000734	4014486471281
8030					
2	FORD ENGINE	80443634	1	1002543	4014486494723
6	DRUM DRIVE VARIABLE SPEED	80336784	1	1001506	4014486460216
7	FAN DRIVE VARIABLE SPEED	80230057	1	1000603	4014486469370
8	FAN DRIVE VARIABLE SPEED	80395955	1	1000555	4014486468496
9	STRAW WALKER - ECCENTRIC	80431784	1	1000328	4014486465587
13	ELEVATOR DRIVE UNIT	80422731	1	1000696	4014486470772
15	ECCENTRIC DRIVE	80387469	1	1000700	4014486470833
16	STRAW ELEVATOR DRIVE	80066232	1	1000690	4014486470697
17	HEADER DRIVE	80330715	1	1000726	4014486471182
8040					
2	ALTERNATOR AND WATERPUMP DRIVE	80443634	1	1002543	4014486494723
2	ALTERNATOR AND WATERPUMP DRIVE	80443636	2	1002935	4014486493443
5	DRUM DRIVE VARIABLE SPEED	80336784	1	1001506	4014486460216
7	CLEANING FAN DRIVE (UPPER)	80230057	1	1000603	4014486469370
8	FAN CLEANING DRIVE (LOWER)	80395955	1	1000555	4014486468496
9	STRAW WALKER DRIVE	80431784	1	1000328	4014486465587
13	ELEVATOR BOTTOM AUGER (GRAIN)	80422731	1	1000696	4014486470772
15	ECCENTRIC SHAFT DRIVE	80387469	1	1000700	4014486470833
16	STRAW ELEVATOR DRIVE	80066232	1	1000690	4014486470697
17	HEADER DRIVE	80330715	1	1000726	4014486471182
19	INTERMEDIATE SHAFT - FAN	80427456	1	1003351	4014486464603



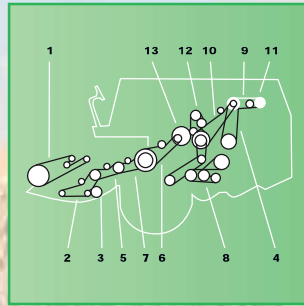
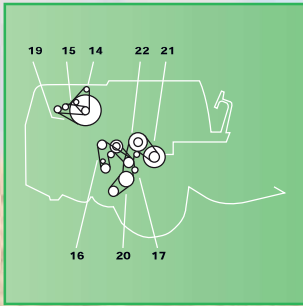
NEW HOLLAND

8060

1	REEL DRIVE	80333255	1	1000775	4014486471847
2	KNIFE DRIVE	80337415	1	1000625	4014486469738
3	REEL DRIVE VARIABLE SPEED	80334065	1	1001403	4014486459098
6	STRAW ELEVATOR DRIVE	80393326	1	1003323	4014486485677
7	DRUM DRIVE VARIABLE SPEED	80397297	1	1001858	4014486488937
8	STRAW WALKER DRIVE	80605529	1	1000366	4014486466287
12	INTERMEDIATE SHAFT - AUGER (GRAIN)	80410896	1	1000567	4014486468748
14	ALTERNATOR DRIVE (FORD 2704 ET)	80371222	1	1002547	4014486494778
15	FAN DRIVE	80399058	1	1002599	4014486496055
17	TAILINGS AUGER (SUPERIOR) (GRAIN)	80387469	1	1000700	4014486470833
18	FAN DRIVE	80378989	2	1002821	4014486463606
19	FAN DRIVE	80388280	1	1001410	4014486459173
20	DRUM DRIVE VARIABLE SPEED	80336784	1	1001506	4014486460216
21	BEATER DRIVE 8060 (330 = 4313001 - 4321999)	80396750	2	1002880	4014486468915
21	BEATER DRIVE 8060 (40 = 4322001 - ...)	80437033	2	1002878	4014486468991
22	INTERMEDIATE SHAFT - BEATER DRIVE	80395955	1	1000555	4014486468496
-	GROUND SPEED DRIVE	80230077	1	1001489	4014486459999
-	SPEED VARIATOR DRIVE	80356024	1	1001489	4014486459999
-	GROUND SPEED DRIVE (STANDARD SPEED)	80424318	1	1001467	4014486459777
-	BEATER DRUM DRIVE	80451481	1	1001946	4014486490480

8070

1	REEL DRIVE	80333255	1	1000775	4014486471847
2	KNIFE DRIVE	80337415	1	1000625	4014486469738
3	REEL DRIVE VARIABLE SPEED	80334065	1	1001403	4014486459098
5	GROUND SPEED VARIATOR DRIVE	80356025	1	1001525	4014486460445
6	GROUND SPEED DRIVE (STANDARD SPEED) - PULLEY DIAMETER 404 MM	80321559	1	1001512	4014486460308
7	STRAW ELEVATOR DRIVE	80393326	1	1003323	4014486485677
8	STRAW WALKER DRIVE	80605529	1	1000366	4014486466287
9	HYDROSTATIC PUMP DRIVE	80411543	1	1003662	4014486490718
10	DRUM DRIVE VARIABLE SPEED	80391650	1	1001977	4014486490947
12	INTERMEDIATE SHAFT - AUGER (GRAIN)	80410896	1	1000567	4014486468748
13	RE-THRESHER DRIVE	80451481	1	1001946	4014486490480
15	FAN DRIVE (MERCEDES OM 401)	80384397	1	1004896	4014486740295
17	FAN DRIVE	80378989	2	1002821	4014486463606
18	TAILINGS ELEVATOR DRIVE	80387469	1	1000700	4014486470833
19	ALTERNATOR DRIVE (FORD 2704 ET)	80371222	1	1002547	4014486494778
20	FAN DRIVE VARIABLE SPEED	80388280	1	1001410	4014486459173
21	DRUM DRIVE VARIABLE SPEED	80387460	1	1001537	4014486460568
21	DRUM DRIVE VARIABLE SPEED	87621086	1	1001537	4014486460568
22	COUNTERSHAFT DRIVE	80396750	2	1002880	4014486468915
22	COUNTERSHAFT DRIVE	80437033	2	1002878	4014486468991
23	VARIATOR DRIVE	80395955	1	1000555	4014486468496



NEW HOLLAND

8080

1	REEL DRIVE	80333255	1	1000775	4014486471847
2	KNIFE DRIVE	80337415	1	1000625	4014486469738
3	REEL DRIVE VARIABLE SPEED	80334065	1	1001403	4014486459098
4	HYDROSTATIC PUMP DRIVE	80411543	1	1003662	4014486490718
6	STRAW ELEVATOR DRIVE	80393326	1	1003323	4014486485677
7	HEADER DRIVE	80391142	2	1003838	4014486465563
7	HEADER DRIVE	80391143	2	1003838	4014486465563
8	STRAW WALKER DRIVE	80605529	1	1000366	4014486466287
10	DRUM DRIVE VARIABLE SPEED	80391650	1	1001977	4014486490947
12	INTERMEDIATE SHAFT - AUGER (GRAIN)	80410896	1	1000567	4014486468748
13	RE-THRESHER DRIVE	80451481	1	1001946	4014486490480
14	ALTERNATOR DRIVE (MERCEDES ENGINE OM 421)	80432642	1	1003746	4014486495928
15	FAN DRIVE (MERCEDES OM 401)	80384397	1	1004896	4014486740295
17	FAN DRIVE	80378989	2	1002821	4014486463606
18	TAILINGS ELEVATOR DRIVE	80387469	1	1000700	4014486470833
20	FAN DRIVE VARIABLE SPEED	80388280	1	1001410	4014486459173
21	DRUM DRIVE VARIABLE SPEED	80387460	1	1001537	4014486460568
22	COUNTERSHAFT DRIVE	80396750	2	1002880	4014486468915
22	COUNTERSHAFT DRIVE	80437033	2	1002878	4014486468991
23	VARIATOR DRIVE	80395955	1	1000555	4014486468496

9630

1	MAIN DRIVE	84017742	2	1001167	4014486491784
2	DRIVE	84026761	4	1002746	4014486461862
3	FAN DRIVE	84012975	2	1002087	4014486519129
4	ALTERNATOR DRIVE	84022807	1	1001132	4014486497168
5	COMPRESSOR DRIVE	80747177	1	1002582	4014486495638
5	COMPRESSOR DRIVE	89835815	1	1002588	4014486495812

9640

1	MAIN DRIVE	84017742	2	1001167	4014486491784
2	DRIVE	84026761	4	1002746	4014486461862
3	FAN DRIVE	84012975	2	1002087	4014486519129
4	ALTERNATOR DRIVE	84022807	1	1001132	4014486497168
5	COMPRESSOR DRIVE	80747177	1	1002582	4014486495638
5	COMPRESSOR DRIVE	89835815	1	1002588	4014486495812

9645

1	MAIN DRIVE	84017742	2	1001167	4014486491784
2	DRIVE	84026761	4	1002746	4014486461862
3	FAN DRIVE	84012975	2	1002087	4014486519129
4	ALTERNATOR DRIVE	84022807	1	1001132	4014486497168
5	COMPRESSOR DRIVE	80747177	1	1002582	4014486495638
5	COMPRESSOR DRIVE	89835815	1	1002588	4014486495812

NEW HOLLAND

11		89814069	1	1001557	4014486484564
12		89593440	1	1000816	4014486472417
16		84004444	1	1001657	4014486486117
16	SELF LEVELING	84005417	1	1001655	4014486486094
		80445640	1	1000555	4014486468496
		89514989	1	1001679	4014486486483
		89817454	1	1000081	4014486484021



NEW HOLLAND

		89832309	1	1001861	4014486488975
		89850770	1	1003992	4014486518689
		K68073	1	1002465	4014486493504

1540 AL

1	REEL DRIVE	80333255	1	1000775	4014486471847
2	KNIFE DRIVE	80337415	1	1000625	4014486469738
3	REEL DRIVE VARIABLE SPEED	80334065	1	1001403	4014486459098
4	SICKLE KNIFE DRIVE	80362500	2	1002788	4014486466201
5	DRUM DRIVE VARIABLE SPEED	80336784	1	1001506	4014486460216
7	MAIN SHAFT DRIVE	80323646	1	1001949	4014486490541
8	UNLOADING SYSTEM	80333958	1	1000715	4014486471052
9	DRUM DRIVE VARIABLE SPEED	80336784	1	1001506	4014486460216
12	ELEVATOR DRIVE GRAIN	80230164	1	1000622	4014486469660
12	GRAIN ELEVATOR DRIVE	80353584	1	1000734	4014486471281
14	TAILINGS ELEVATOR DRIVE	80323413	1	1000577	4014486468922
16	FAN DRIVE	80230059	1	1000654	4014486470178
19	DEUTZ ENGINE	80336386	1	1000027	4014486483482
19	DEUTZ ENGINE	80386155	1	1000022	4014486483420
0	HYDRAULIC PUMP DRIVE	80350236	1	1003640	4014486489002

CR 9060

2	STRAW ELEVATOR DRIVE 4HB	84072421	1	1002036	4014486491722
4	UNLOADING AUGER	87011585	1	1001636	4014486485844
5	MAIN DRIVE	87580097	1	1001978	4014486490954
6	CHOPPER DRIVE	87580100	1	1004127	4014486523096
7	BEATER DRIVE	87580099	1	1001627	4014486485660
8	BEATER DRIVE	86566287	1	1000532	4014486518818
9	SHAKER SHOE DRIVE - SELF-LEVELLING	84056913	2	1000265	4014486464207
10	CHOPPER DRIVE	87526022	1	1004128	4014486523102
11	AIR CONDITIONER UNIT : MOUNTING GROUP - WITHOUT HEATING	84818007	1	1002621	4014486480146
12	DRIVE, ROTARY SCREEN AND FAN	445930	1	1002074	4014486475623
13	DRIVE, ROTARY SCREEN AND FAN	84057085	1	1000175	4014486462036
14	DRIVE, ROTARY SCREEN AND FAN	87556830	1	1004157	4014486523362
16	FEEDER DRIVE	86589482	1	1001914	4014486489774
17	TAILINGS ELEVATORS, BOTTOM AUGER AND (RH)	84058339	2	1000200	4014486462388
18	GRAIN ELEVATOR , DRIVE	87319821	1	1004066	4014486519396
19	FAN VARI-DRIVE	84817627	1	1001135	4014486497199

CR 9060 ELEVATION

2	STRAW ELEVATOR DRIVE 4HB	87545653	1	1004148	4014486523294
4	UNLOADING AUGER	87011585	1	1001636	4014486485844
5	MAIN DRIVE	87545651	1	1004150	4014486523317
6	CHOPPER DRIVE	87557181	1	1004139	4014486523195
7	BEATER DRIVE	87546479	1	1001636	4014486485844
8	BEATER DRIVE	87315599	1	1004066	4014486519396
9	SHAKER SHOE DRIVE - SELF-LEVELLING	87325684	2	1004179	4014486523034
10	CHOPPER DRIVE	87526022	1	1004128	4014486523102
11	AIR CONDITIONER UNIT : MOUNTING GROUP, UNTIL BSN C 603	84818007	1	1002621	4014486480146
12	ROTARY SCREEN DRIVE AND FAN	87284244	2	1004162	4014486523409
13	DRIVE, ROTARY SCREEN AND FAN	84057085	1	1000175	4014486462036
13	DRIVE, ROTARY SCREEN AND FAN, UNTIL BSN C 599	84057085	1	1000175	4014486462036
13	DRIVE, ROTARY SCREEN AND FAN, FROM ASN D 600	87664428	1	1004111	4014486522860
14	ALTERNATOR DRIVE	747177	1	1002582	4014486495638
16	HYDRAULIC FAN DRIVE	87636309	1	1004115	4014486522907



NEW HOLLAND

17	FEEDER DRIVE	86589482	1	1001914	4014486489774
18	TAILINGS ELEVATORS, BOTTOM AUGER AND (RH)	84058339	2	1000200	4014486462388
19	GRAIN ELEVATOR , DRIVE	87319821	1	1004066	4014486519396

CR 9070 ELEVATION

2	STRAW ELEVATOR DRIVE 4HB	87545653	1	1004148	4014486523294
4	UNLOADING AUGER	87011585	1	1001636	4014486485844
5	MAIN DRIVE	87545651	1	1004150	4014486523317
6	CHOPPER DRIVE	87557181	1	1004139	4014486523195
7	BEATER DRIVE	87546479	1	1001636	4014486485844
8	BEATER DRIVE	87315599	1	1004066	4014486519396
9	SHAKER SHOE DRIVE - SELF-LEVELLING	87325684	2	1004179	4014486523034
10	CHOPPER DRIVE	87526022	1	1004128	4014486523102
11	AIR CONDITIONER UNIT : MOUNTING GROUP, UNTIL BSN C 603	84818007	1	1002621	4014486480146
11	AIR CONDITIONER UNIT : MOUNTING GROUP - WITHOUT HEATING, FROM ASN D 604	84818008	1	1004045	4014486519280
12	ROTARY SCREEN DRIVE AND FAN	87284244	2	1004162	4014486523409
13	DRIVE, ROTARY SCREEN AND FAN, UNTIL BSN C 599	84057085	1	1000175	4014486462036
13	DRIVE, ROTARY SCREEN AND FAN, ASN D 600	87664428	1	1004111	4014486522860
14	ALTERNATOR DRIVE	747177	1	1002582	4014486495638
15	ROTOR VARIATOR	87676816	1	No AP	
16	HYDRAULIC FAN DRIVE	87636309	1	1004115	4014486522907
17	FEEDER DRIVE	86589482	1	1001914	4014486489774
18	TAILINGS ELEVATORS, BOTTOM AUGER AND (RH)	84058339	2	1000200	4014486462388
19	GRAIN ELEVATOR , DRIVE	87319821	1	1004066	4014486519396

CR 9080

2	STRAW ELEVATOR DRIVE 4HB	84072421	1	1002036	4014486491722
4	UNLOADING AUGER	87011585	1	1001636	4014486485844
5	MAIN DRIVE	87580097	1	1001978	4014486490954
6	CHOPPER DRIVE	87580100	1	1004127	4014486523096
7	BEATER DRIVE	87580099	1	1001627	4014486485660
8	BEATER DRIVE	86566287	1	1000532	4014486518818
9	SHAKER SHOE DRIVE - SELF-LEVELLING	84056913	2	1000265	4014486464207
10	CHOPPER DRIVE	87526022	1	1004128	4014486523102
11	AIR CONDITIONER UNIT : MOUNTING GROUP - WITHOUT HEATING	84818008	1	1004045	4014486519280
12	DRIVE, ROTARY SCREEN AND FAN	445930	1	1002074	4014486475623
13	DRIVE, ROTARY SCREEN AND FAN	84057085	1	1000175	4014486462036
14	DRIVE, ROTARY SCREEN AND FAN	87556830	1	1004157	4014486523362
15	ROTOR VARIATOR	87053803	1	No AP	
16	FEEDER DRIVE	86589482	1	1001914	4014486489774
17	TAILINGS ELEVATORS, BOTTOM AUGER AND (RH)	84058339	2	1000200	4014486462388
18	GRAIN ELEVATOR , DRIVE	87319821	1	1004066	4014486519396
19	FAN VARI-DRIVE	84817627	1	1001135	4014486497199

CR 9080 ELEVATION

2	STRAW ELEVATOR DRIVE 4HB	87545653	1	1004148	4014486523294
4	UNLOADING AUGER	87011585	1	1001636	4014486485844
5	MAIN DRIVE	87545651	1	1004150	4014486523317
6	CHOPPER DRIVE	87557181	1	1004139	4014486523195
7	BEATER DRIVE	87546479	1	1001636	4014486485844
8	BEATER DRIVE	87315599	1	1004066	4014486519396
9	SHAKER SHOE DRIVE - SELF-LEVELLING	87325684	2	1004179	4014486523034
10	CHOPPER DRIVE	87526022	1	1004128	4014486523102
11	AIR CONDITIONER UNIT : MOUNTING GROUP, UNTIL BSN C 603	84818007	1	1002621	4014486480146



NEW HOLLAND

11	AIR CONDITIONER UNIT : MOUNTING GROUP - WITHOUT HEATING, FROM ASN D 604	84818008	1	1004045	4014486519280
12	ROTARY SCREEN DRIVE AND FAN	87284244	2	1004162	4014486523409
13	ROTARY DUST SCREEN DRIVE	9513136	1	1004110	4014486522853
14	ALTERNATOR DRIVE	747177	1	1002582	4014486495638
16	HYDRAULIC FAN DRIVE	87636309	1	1004115	4014486522907
17	FEEDER DRIVE	86589482	1	1001914	4014486489774
18	TAILINGS ELEVATORS, BOTTOM AUGER AND (RH)	84058339	2	1000200	4014486462388
19	GRAIN ELEVATOR , DRIVE	87319821	1	1004066	4014486519396

CR 960

2	STRAW ELEVATOR DRIVE 4HB	84072421	1	1002036	4014486491722
4	UNLOADING AUGER	87011585	1	1001636	4014486485844
5	MAIN DRIVE	87580097	1	1001978	4014486490954
6	CHOPPER DRIVE	84320963	1	1001646	4014486485981
7	BEATER DRIVE	87580099	1	1001627	4014486485660
8	BEATER DRIVE	86566287	1	1000532	4014486518818
9	SHAKER SHOE DRIVE - SELF-LEVELLING	84056913	2	1000265	4014486464207
10		84320963	1	1001646	4014486485981
12	DRIVE, ROTARY SCREEN AND FAN	445930	1	1002074	4014486475623
13	DRIVE, ROTARY SCREEN AND FAN	84057085	1	1000175	4014486462036
14	ALTERNATOR DRIVE	747177	1	1002582	4014486495638
16	FEEDER DRIVE	86589482	1	1001914	4014486489774
17	TAILINGS ELEVATORS, BOTTOM AUGER AND (RH)	84058339	2	1000200	4014486462388
18	GRAIN ELEVATOR, DRIVE	87319821	1	1004066	4014486519396
19	CLEANING FAN, FIXED SHOE, SIEVE FIXED	919739	1	1001136	4014486497205
19	FAN VARI-DRIVE	84817627	1	1001135	4014486497199

CR 980

2	STRAW ELEVATOR DRIVE 4HB	84072421	1	1002036	4014486491722
4	UNLOADING AUGER	87011585	1	1001636	4014486485844
5	MAIN DRIVE	87580097	1	1001978	4014486490954
6	CHOPPER DRIVE	84320963	1	1001646	4014486485981
7	BEATER DRIVE	87580099	1	1001627	4014486485660
8	BEATER DRIVE	86566287	1	1000532	4014486518818
9	SHAKER SHOE DRIVE - SELF-LEVELLING	84056913	2	1000265	4014486464207
10		84320963	1	1001646	4014486485981
12	DRIVE, ROTARY SCREEN AND FAN	445930	1	1002074	4014486475623
13	DRIVE, ROTARY SCREEN AND FAN	84057085	1	1000175	4014486462036
14	ALTERNATOR DRIVE	747177	1	1002582	4014486495638
15	ROTOR VARIATOR	87053803	1	No AP	
16	FEEDER DRIVE	86589482	1	1001914	4014486489774
17	TAILINGS ELEVATORS, BOTTOM AUGER AND (RH)	84058339	2	1000200	4014486462388
18	GRAIN ELEVATOR, DRIVE	87319821	1	1004066	4014486519396
19	CLEANING FAN, FIXED SHOE, SIEVE FIXED	919739	1	1001136	4014486497205
19	FAN VARI-DRIVE	84817627	1	1001135	4014486497199

CR960

	ALTERNATOR/WATERPUMP	500371653	1	1004473	4014486712162
--	----------------------	-----------	---	---------	---------------

CS 520

1	ALTERNATOR, WATERPUMP AND AIR COMPRESSOR	84817638	1	1003807	4014486483048
2	MAIN TRANSMISSION	84993120	1	1002011	4014486491418
5	CHOPPER DRIVE	84076421	1	1001705	4014486486827
6	CHOPPER DRIVE	84075955	1	1003347	4014486486285



NEW HOLLAND

7	GRASS SEED EQUIPMENT	84452153	1	1004044	4014486518313
8	GRASS SEED EQUIPMENT	84452112	1	1004114	4014486522891
9	ELEVATOR BOTTOM DRIVE GRAIN	80422731	1	1000696	4014486470772
10	FAN DRIVE VARIABLE SPEED	84073979	1	1001421	4014486459289
11	SHAKER SHOE DRIVE	84015531	1	1000601	4014486469332
12	STRAW WALKER DRIVE	84073276	1	1000340	4014486465877
13	DRUM DRIVE	84072772	1	1001237	4014486491913
13	DRUM DRIVE (LOW DRUM SPEED)	84072815	1	1001952	4014486490572
14	ROTARY SEPARATOR DRIVE AND SHAFT	84073933	1	1000566	4014486468731
15	DRUM DRIVE VARIABLE SPEED	84035748	1	1001316	4014486497892
16	STRAW ELEVATOR DRIVE 3HB	84982278	1	1001697	4014486486735
16	STRAW ELEVATOR DRIVE 2HB (FOR CS520 ONLY)	84991234	1	1001922	4014486489903
17	HEADER DRIVE ENGAGING IDLER (2HB ONLY)	84446792	1	1003326	4014486486087
18	AIR COMPRESSOR - BLOW-OFF SYSTEM	84061465	1	1002586	4014486495775
19	ROTARY SCREEN AND FAN	84061465	1	1002586	4014486495775
19	ROTARY SCREEN AND FAN	84989965	1	1000169	4014486461954
20	HYDROSTATIC PUMP DRIVE (NOT FOR CS660)	84607712	1	1001850	4014486488838
21	HYDRAULIC PUMP DRIVE	80427456	1	1003351	4014486464603
22	UNLOADING AUGER DRIVE	84991836	1	1000653	4014486470161

CS 540

1	ALTERNATOR, WATERPUMP AND AIR COMPRESSOR	84817638	1	1003807	4014486483048
2	MAIN TRANSMISSION	84993120	1	1002011	4014486491418
5	CHOPPER DRIVE	84076421	1	1001705	4014486486827
6	CHOPPER DRIVE	84075955	1	1003347	4014486486285
7	GRASS SEED EQUIPMENT	84452153	1	1004044	4014486518313
8	GRASS SEED EQUIPMENT	84452112	1	1004114	4014486522891
9	ELEVATOR BOTTOM DRIVE GRAIN	80422731	1	1000696	4014486470772
10	FAN DRIVE VARIABLE SPEED	84073979	1	1001421	4014486459289
11	SHAKER SHOE DRIVE	84015531	1	1000601	4014486469332
12	STRAW WALKER DRIVE	84073276	1	1000340	4014486465877
13	DRUM DRIVE	84072772	1	1001237	4014486491913
13	DRUM DRIVE (LOW DRUM SPEED)	84072815	1	1001952	4014486490572
14	ROTARY SEPARATOR DRIVE AND SHAFT	84073933	1	1000566	4014486468731
15	DRUM DRIVE VARIABLE SPEED	84035748	1	1001316	4014486497892
16	STRAW ELEVATOR DRIVE 2HB (NOT FOR CS520)	84981586	1	1001720	4014486487022
16	STRAW ELEVATOR DRIVE 3HB	84982278	1	1001697	4014486486735
17	HEADER DRIVE ENGAGING IDLER (2HB ONLY)	84446792	1	1003326	4014486486087
17	HEADER DRIVE ENGAGING IDLER (3HB ONLY/NOT CS520)	89817374	1	1001876	4014486489231
18	AIR COMPRESSOR - BLOW-OFF SYSTEM	84061465	1	1002586	4014486495775
19	ROTARY SCREEN AND FAN	84061465	1	1002586	4014486495775
19	ROTARY SCREEN AND FAN	84989965	1	1000169	4014486461954
20	HYDROSTATIC PUMP DRIVE (NOT FOR CS660)	84607712	1	1001850	4014486488838
21	HYDRAULIC PUMP DRIVE	80427456	1	1003351	4014486464603
22	UNLOADING AUGER DRIVE	84991836	1	1000653	4014486470161

CS 6050

2	STRAW ELEVATOR DRIVE, 2HB	84981586	1	1001720	4014486487022
2	STRAW ELEVATOR DRIVE, 3HB	84991234	1	1001922	4014486489903
3	HEADER DRIVE ENGAGING IDLER 2HB ONLY	84446792	1	1003326	4014486486087
3	HEADER DRIVE ENGAGING IDLER 3HB ONLY	89817374	1	1001876	4014486489231
4	DRUM VARIATOR	84035748	1	1001316	4014486497892
5	GRAIN TANK UNLOADING	84462590	1	1000653	4014486470161
6	MAIN DRIVE	84993120	1	1002011	4014486491418
7	HYDROSTATIC PUMP DRIVE	80427456	1	1003351	4014486464603



NEW HOLLAND

8	HYDROSTATIC PUMP DRIVE	84607712	1	1001850	4014486488838
9	STRAW WALKER DRIVE	87521887	1	1000341	4014486465884
10	GRAIN ELEVATOR BOTTOM AUGER	80422731	1	1000696	4014486470772
13	CHOPPER DRIVE	84075955	1	1003347	4014486486285
14	CHOPPER DRIVE	84076421	1	1001705	4014486486827
15	DRIVE, ROTARY SCREEN AND FAN	84061465	1	1002586	4014486495775
16	DRIVE, ROTARY SCREEN AND FAN	84989965	1	1000169	4014486461954
17	ALTERNATOR DRIVE	747177	1	1002582	4014486495638
18	DRUM DRIVE	84072772	1	1001237	4014486491913
18	DRUM DRIVE, ROTATION SPEED SLOW	84072815	1	1001952	4014486490572
19	STRAW SHAKER DRIVE	84817635	1	1000601	4014486469332
20	FAN VARI-DRIVE	84073979	1	1001421	4014486459289
21	ROTARY SEPARATOR DRIVE AND SHAFT	84073933	1	1000566	4014486468731
22		84075955	1	1003347	4014486486285
23		84076421	1	1001705	4014486486827

CS 6070

2	STRAW ELEVATOR DRIVE, 2HB	84981586	1	1001720	4014486487022
2	STRAW ELEVATOR DRIVE, 3HB	84991234	1	1001922	4014486489903
3	HEADER DRIVE ENGAGING IDLER 2HB ONLY	84446792	1	1003326	4014486486087
3	HEADER DRIVE ENGAGING IDLER 3HB ONLY	89817374	1	1001876	4014486489231
4	DRUM VARIATOR	84035748	1	1001316	4014486497892
5	GRAIN TANK UNLOADING	84462590	1	1000653	4014486470161
6	MAIN DRIVE	84993120	1	1002011	4014486491418
7	HYDROSTATIC PUMP DRIVE	80427456	1	1003351	4014486464603
8	HYDROSTATIC PUMP DRIVE	84607712	1	1001850	4014486488838
9	STRAW WALKER DRIVE	87521887	1	1000341	4014486465884
10	GRAIN ELEVATOR BOTTOM AUGER	80422731	1	1000696	4014486470772
13	CHOPPER DRIVE	84075955	1	1003347	4014486486285
14	CHOPPER DRIVE	84076421	1	1001705	4014486486827
15	DRIVE, ROTARY SCREEN AND FAN	84061465	1	1002586	4014486495775
16	DRIVE, ROTARY SCREEN AND FAN	84989965	1	1000169	4014486461954
17	ALTERNATOR DRIVE	747177	1	1002582	4014486495638
18	DRUM DRIVE	84072772	1	1001237	4014486491913
18	DRUM DRIVE, ROTATION SPEED SLOW	84072815	1	1001952	4014486490572
19	STRAW SHAKER DRIVE	84817635	1	1000601	4014486469332
20	FAN VARI-DRIVE	84073979	1	1001421	4014486459289
21	ROTARY SEPARATOR DRIVE AND SHAFT	84073933	1	1000566	4014486468731
22		84075955	1	1003347	4014486486285
23		84076421	1	1001705	4014486486827
25	CHAFF SPREADER	84790356	1	1004472	4014486712148

CS 6080

2	STRAW ELEVATOR DRIVE, 2HB	84981586	1	1001720	4014486487022
2	STRAW ELEVATOR DRIVE, 3HB	84991234	1	1001922	4014486489903
3	HEADER DRIVE ENGAGING IDLER 2HB ONLY	84446792	1	1003326	4014486486087
3	HEADER DRIVE ENGAGING IDLER 3HB ONLY	89817374	1	1001876	4014486489231
4	DRUM VARIATOR	84035748	1	1001316	4014486497892
5	GRAIN TANK UNLOADING	84462590	1	1000653	4014486470161
6	MAIN DRIVE	84993120	1	1002011	4014486491418
7	HYDROSTATIC PUMP DRIVE	80427456	1	1003351	4014486464603
8	HYDROSTATIC PUMP DRIVE	84607712	1	1001850	4014486488838
9	STRAW WALKER DRIVE	87521887	1	1000341	4014486465884
10	GRAIN ELEVATOR BOTTOM AUGER	80422731	1	1000696	4014486470772
13	CHOPPER DRIVE	84075955	1	1003347	4014486486285



NEW HOLLAND

14	CHOPPER DRIVE	84076421	1	1001705	4014486486827
15	DRIVE, ROTARY SCREEN AND FAN	84061463	2	1004160	4014486523386
16	DRIVE, ROTARY SCREEN AND FAN	87374615	1	1004049	4014486518436
17	ALTERNATOR DRIVE	84817626	1	1002579	4014486495560
18	DRUM DRIVE	84072772	1	1001237	4014486491913
18	DRUM DRIVE, ROTATION SPEED SLOW	84072815	1	1001952	4014486490572
19	STRAW SHAKER DRIVE	84817635	1	1000601	4014486469332
20	FAN VARI-DRIVE	84073979	1	1001421	4014486459289
21	ROTARY SEPARATOR DRIVE AND SHAFT	84073933	1	1000566	4014486468731
22		84075955	1	1003347	4014486486285
23		84076421	1	1001705	4014486486827
25	CHAFF SPREADER	84790356	1	1004472	4014486712148

CS 6090

2	STRAW ELEVATOR DRIVE, 2HB	84981586	1	1001720	4014486487022
2	STRAW ELEVATOR DRIVE, 3HB	84991234	1	1001922	4014486489903
3	HEADER DRIVE ENGAGING IDLER 2HB ONLY	84446792	1	1003326	4014486486087
3	HEADER DRIVE ENGAGING IDLER 3HB ONLY	89817374	1	1001876	4014486489231
4	DRUM VARIATOR	84035748	1	1001316	4014486497892
5	GRAIN TANK UNLOADING	84462590	1	1000653	4014486470161
6	MAIN DRIVE	84993120	1	1002011	4014486491418
7	HYDROSTATIC PUMP DRIVE	80427456	1	1003351	4014486464603
8	HYDROSTATIC PUMP DRIVE	84607713	1	1001853	4014486488876
9	STRAW WALKER DRIVE	87521887	1	1000341	4014486465884
10	GRAIN ELEVATOR BOTTOM AUGER	80422731	1	1000696	4014486470772
13	CHOPPER DRIVE	84075955	1	1003347	4014486486285
14	CHOPPER DRIVE	84076421	1	1001705	4014486486827
15	DRIVE, ROTARY SCREEN AND FAN	84061463	2	1004160	4014486523386
16	DRIVE, ROTARY SCREEN AND FAN	87374615	1	1004049	4014486518436
17	ALTERNATOR DRIVE	84817626	1	1002579	4014486495560
18	DRUM DRIVE	84072772	1	1001237	4014486491913
18	DRUM DRIVE, ROTATION SPEED SLOW	84072815	1	1001952	4014486490572
19	STRAW SHAKER DRIVE	84817635	1	1000601	4014486469332
20	FAN VARI-DRIVE	84073979	1	1001421	4014486459289
21	ROTARY SEPARATOR DRIVE AND SHAFT	84073933	1	1000566	4014486468731
22		84075955	1	1003347	4014486486285
23		84076421	1	1001705	4014486486827
25	CHAFF SPREADER	84790356	1	1004472	4014486712148

CS 640

1	ALTERNATOR, WATERPUMP AND AIR COMPRESSOR	84817638	1	1003807	4014486483048
2	MAIN TRANSMISSION	84993120	1	1002011	4014486491418
3	CHAFF SPREADER DRIVE (FOR CS640 AND CS660 ONLY)	84790356	1	1004472	4014486712148
5	CHOPPER DRIVE	84076421	1	1001705	4014486486827
6	CHOPPER DRIVE	84075955	1	1003347	4014486486285
7	GRASS SEED EQUIPMENT	84452153	1	1004044	4014486518313
8	GRASS SEED EQUIPMENT	84452112	1	1004114	4014486522891
9	ELEVATOR BOTTOM DRIVE GRAIN	80422731	1	1000696	4014486470772
10	FAN DRIVE VARIABLE SPEED	84073979	1	1001421	4014486459289
11	SHAKER SHOE DRIVE	84015531	1	1000601	4014486469332
12	STRAW WALKER DRIVE	84073276	1	1000340	4014486465877
13	DRUM DRIVE	84072772	1	1001237	4014486491913
13	DRUM DRIVE (LOW DRUM SPEED)	84072815	1	1001952	4014486490572
14	ROTARY SEPARATOR DRIVE AND SHAFT	84073933	1	1000566	4014486468731
15	DRUM DRIVE VARIABLE SPEED	84035748	1	1001316	4014486497892



NEW HOLLAND

16	STRAW ELEVATOR DRIVE 2HB (NOT FOR CS520)	84981586	1	1001720	4014486487022
16	STRAW ELEVATOR DRIVE 3HB	84982278	1	1001697	4014486486735
17	HEADER DRIVE ENGAGING IDLER (2HB ONLY)	84446792	1	1003326	4014486486087
17	HEADER DRIVE ENGAGING IDLER (3HB ONLY/NOT CS520)	89817374	1	1001876	4014486489231
18	AIR COMPRESSOR - BLOW-OFF SYSTEM	84061465	1	1002586	4014486495775
19	ROTARY SCREEN AND FAN	84061465	1	1002586	4014486495775
19	ROTARY SCREEN AND FAN	84989965	1	1000169	4014486461954
20	HYDROSTATIC PUMP DRIVE (NOT FOR CS660)	84607712	1	1001850	4014486488838
21	HYDRAULIC PUMP DRIVE	80427456	1	1003351	4014486464603
22	UNLOADING AUGER DRIVE	84991836	1	1000653	4014486470161

CS 660

1	ALTERNATOR, WATERPUMP AND AIR COMPRESSOR	84817638	1	1003807	4014486483048
2	MAIN TRANSMISSION	84993120	1	1002011	4014486491418
3	CHAFF SPREADER DRIVE (FOR CS640 AND CS660 ONLY)	84790356	1	1004472	4014486712148
5	CHOPPER DRIVE	84076421	1	1001705	4014486486827
6	CHOPPER DRIVE	84075955	1	1003347	4014486486285
7	GRASS SEED EQUIPMENT	84452153	1	1004044	4014486518313
8	GRASS SEED EQUIPMENT	84452112	1	1004114	4014486522891
9	ELEVATOR BOTTOM DRIVE GRAIN	80422731	1	1000696	4014486470772
10	FAN DRIVE VARIABLE SPEED	84073979	1	1001421	4014486459289
11	SHAKER SHOE DRIVE	84015531	1	1000601	4014486469332
12	STRAW WALKER DRIVE	84073276	1	1000340	4014486465877
13	DRUM DRIVE	84072772	1	1001237	4014486491913
13	DRUM DRIVE (LOW DRUM SPEED)	84072815	1	1001952	4014486490572
14	ROTARY SEPARATOR DRIVE AND SHAFT	84073933	1	1000566	4014486468731
15	DRUM DRIVE VARIABLE SPEED	84035748	1	1001316	4014486497892
16	STRAW ELEVATOR DRIVE 2HB (NOT FOR CS520)	84981586	1	1001720	4014486487022
16	STRAW ELEVATOR DRIVE 3HB	84982278	1	1001697	4014486486735
17	HEADER DRIVE ENGAGING IDLER (2HB ONLY)	84446792	1	1003326	4014486486087
17	HEADER DRIVE ENGAGING IDLER (3HB ONLY/NOT CS520)	89817374	1	1001876	4014486489231
18	AIR COMPRESSOR - BLOW-OFF SYSTEM	84061465	1	1002586	4014486495775
19	ROTARY SCREEN AND FAN	84061465	1	1002586	4014486495775
19	ROTARY SCREEN AND FAN	84989965	1	1000169	4014486461954
20	HYDROSTATIC PUMP DRIVE (FOR CS660 ONLY)	84607713	1	1001853	4014486488876
21	HYDRAULIC PUMP DRIVE	80427456	1	1003351	4014486464603
22	UNLOADING AUGER DRIVE	84991836	1	1000653	4014486470161

CSX 7060

2	STRAW ELEVATOR DRIVE, 2HB	84981586	1	1001720	4014486487022
2	STRAW ELEVATOR DRIVE, 3HB	84991234	1	1001922	4014486489903
3	HEADER DRIVE ENGAGING IDLER 2HB ONLY	84446792	1	1003326	4014486486087
3	HEADER DRIVE ENGAGING IDLER 3HB ONLY	89817374	1	1001876	4014486489231
4	DRUM VARIATOR	84035748	1	1001316	4014486497892
5	GRAIN TANK UNLOADING	84462590	1	1000653	4014486470161
6	MAIN DRIVE	84993120	1	1002011	4014486491418
7	HYDROSTATIC PUMP DRIVE	80427456	1	1003351	4014486464603
8	HYDROSTATIC PUMP DRIVE	84607712	1	1001850	4014486488838
9	STRAW WALKER DRIVE	87521887	1	1000341	4014486465884
10	GRAIN ELEVATOR BOTTOM AUGER	80422731	1	1000696	4014486470772
13	CHOPPER DRIVE	84075955	1	1003347	4014486486285
14	CHOPPER DRIVE	84076421	1	1001705	4014486486827
15	DRIVE, ROTARY SCREEN AND FAN	84061463	2	1004160	4014486523386
16	DRIVE, ROTARY SCREEN AND FAN	87374615	1	1004049	4014486518436
17	ALTERNATOR DRIVE	84817626	1	1002579	4014486495560



NEW HOLLAND

18	DRUM DRIVE	84072772	1	1001237	4014486491913
18	DRUM DRIVE, ROTATION SPEED SLOW	84072815	1	1001952	4014486490572
19	STRAW SHAKER DRIVE	84817635	1	1000601	4014486469332
20	FAN VARI-DRIVE	84073979	1	1001421	4014486459289
21	ROTARY SEPARATOR DRIVE AND SHAFT	84073933	1	1000566	4014486468731
22		84075955	1	1003347	4014486486285
23		84076421	1	1001705	4014486486827

CSX 7080

2	STRAW ELEVATOR DRIVE, 2HB	84981586	1	1001720	4014486487022
2	STRAW ELEVATOR DRIVE, 3HB	84991234	1	1001922	4014486489903
3	HEADER DRIVE ENGAGING IDLER 2HB ONLY	84446792	1	1003326	4014486486087
3	HEADER DRIVE ENGAGING IDLER 3HB ONLY	89817374	1	1001876	4014486489231
4	DRUM VARIATOR	84035748	1	1001316	4014486497892
5	GRAIN TANK UNLOADING	84462590	1	1000653	4014486470161
6	MAIN DRIVE	84993120	1	1002011	4014486491418
7	HYDROSTATIC PUMP DRIVE	80427456	1	1003351	4014486464603
8	HYDROSTATIC PUMP DRIVE	84607713	1	1001853	4014486488876
9	STRAW WALKER DRIVE	87521887	1	1000341	4014486465884
10	GRAIN ELEVATOR BOTTOM AUGER	80422731	1	1000696	4014486470772
13	CHOPPER DRIVE	84075955	1	1003347	4014486486285
14	CHOPPER DRIVE	84076421	1	1001705	4014486486827
15	DRIVE, ROTARY SCREEN AND FAN	84061463	2	1004160	4014486523386
16	DRIVE, ROTARY SCREEN AND FAN	87374615	1	1004049	4014486518436
17	ALTERNATOR DRIVE	84817626	1	1002579	4014486495560
18	DRUM DRIVE	84072772	1	1001237	4014486491913
18	DRUM DRIVE, ROTATION SPEED SLOW	84072815	1	1001952	4014486490572
19	STRAW SHAKER DRIVE	84817635	1	1000601	4014486469332
20	FAN VARI-DRIVE	84073979	1	1001421	4014486459289
21	ROTARY SEPARATOR DRIVE AND SHAFT	84073933	1	1000566	4014486468731
22		84075955	1	1003347	4014486486285
23		84076421	1	1001705	4014486486827
25	CHAFF SPREADER	84790356	1	1004472	4014486712148

CX 720

1	BEATER DRIVE	84045256	1	1000638	4014486469950
3	UNLOADING AUGER	84061293	1	1001634	4014486485820
4	MAIN DRIVE	84057914	1	1003844	4014486490893
5	CHOPPER DRIVE	84075345	1	1001636	4014486485844
6	CHOPPER DRIVE	84075635	1	1001687	4014486486612
7	INTERMEDIATE SHAFT FOR CLEANING DRIVE, WITH SLOPE COMPENSATION	84057392	1	1003337	4014486484847
8	SHAKER SHOE DRIVE, FIXED SHOE, WITHOUT SLOPE COMPENSATION	84432785	1	1000680	4014486470543
9	STRAW WALKER DRIVE	84057482	1	1000400	4014486466638
10	SHAKER SHOE AND TAILINGS ELEVATOR DRIVE, WITH SLOPE COMPENSATION	84057874	1	1000699	4014486470826
11	TAILINGS ELEVATOR DRIVE, FIXED SHOE, WITHOUT SLOPE COMPENSATION	84435035	1	1001644	4014486485967
12	DRUM VARIATOR	84035748	1	1001316	4014486497892
13	SHAKER SHOE DRIVE - SELF-LEVELLING	84056913	2	1000265	4014486464207
14	DRUM DRIVE	84061615	1	1001884	4014486489408
15	HEADER, DRIVE 3HB	84061279	1	1001880	4014486489309
16	DRIVE, ROTARY SCREEN AND FAN, FOR HIGH SPEED ONLY	84057085	1	1000175	4014486462036
17	ROTOR AND VENTILATOR DRIVE	89835816	1	1002588	4014486495812
18	BLOW-OFF SYSTEM, AIR COMPRESSOR	84061465	1	1002586	4014486495775
19	DRIVE : ALTERNATOR, WATERPUMP AND AIR	84057710	1	1002690	4014486482959
20	GRAIN ELEVATOR , DRIVE	84073457	1	1000256	4014486464054
21	ROTARY SEPARATOR DRIVE AND SHAFT, -> C415	84057393	1	1001581	4014486484885



NEW HOLLAND

21	ROTARY SEPARATOR DRIVE AND SHAFT, D416 ->	84457079	1	1001583	4014486484908
24	TAILINGS ELEVATORS, BOTTOM AUGER AND (RH)DRIVE	84058339	2	1000200	4014486462388
25	FAN VARI-DRIVE FOR FIXED SHOE ONLY	919739	1	1001136	4014486497205
25	FAN VARI-DRIVE FOR SELF-LEVELLING ONLY	84817627	1	1001135	4014486497199
22-23	DRIVE STRAW ELEVATOR 4HB	84334995	1	1004196	4014486652567

CX 740

1	BEATER DRIVE	84045256	1	1000638	4014486469950
3	UNLOADING AUGER	84061293	1	1001634	4014486485820
4	MAIN DRIVE	84057914	1	1003844	4014486490893
5	CHOPPER DRIVE	84075345	1	1001636	4014486485844
6	CHOPPER DRIVE	84075635	1	1001687	4014486486612
7	INTERMEDIATE SHAFT FOR CLEANING DRIVE, WITH SLOPE COMPENSATION	84057392	1	1003337	4014486484847
8	SHAKER SHOE DRIVE, FIXED SHOE, WITHOUT SLOPE COMPENSATION	84432785	1	1000680	4014486470543
9	STRAW WALKER DRIVE	84057482	1	1000400	4014486466638
10	SHAKER SHOE AND TAILINGS ELEVATOR DRIVE, WITH SLOPE COMPENSATION	84057874	1	1000699	4014486470826
11	TAILINGS ELEVATOR DRIVE, FIXED SHOE, WITHOUT SLOPE COMPENSATION	84435035	1	1001644	4014486485967
12	DRUM VARIATOR	84035748	1	1001316	4014486497892
13	SHAKER SHOE DRIVE - SELF-LEVELLING	84056913	2	1000265	4014486464207
14	DRUM DRIVE	84061615	1	1001884	4014486489408
15	HEADER, DRIVE 3HB	84061279	1	1001880	4014486489309
16	DRIVE, ROTARY SCREEN AND FAN	84057085	1	1000175	4014486462036
17	ROTOR AND VENTILATOR DRIVE	89835816	1	1002588	4014486495812
18	BLOW-OFF SYSTEM, AIR COMPRESSOR	84061465	1	1002586	4014486495775
19	DRIVE : ALTERNATOR, WATERPUMP AND AIR	84057710	1	1002690	4014486482959
20	GRAIN ELEVATOR , DRIVE	84073457	1	1000256	4014486464054
21	ROTARY SEPARATOR DRIVE AND SHAFT, -> C415	84057393	1	1001581	4014486484885
21	ROTARY SEPARATOR DRIVE AND SHAFT, D416 ->	84457079	1	1001583	4014486484908
24	TAILINGS ELEVATORS, BOTTOM AUGER AND (RH)DRIVE	84058339	2	1000200	4014486462388
25	FAN VARI-DRIVE FOR FIXED SHOE ONLY	919739	1	1001136	4014486497205
25	FAN VARI-DRIVE FOR SELF-LEVELLING ONLY	84817627	1	1001135	4014486497199
22-23	DRIVE STRAW ELEVATOR 4HB	84334995	1	1004196	4014486652567

CX 760

1	BEATER DRIVE	84045256	1	1000638	4014486469950
3	UNLOADING AUGER	84061293	1	1001634	4014486485820
4	MAIN DRIVE	84057914	1	1003844	4014486490893
5	CHOPPER DRIVE	84075345	1	1001636	4014486485844
6	CHOPPER DRIVE	84075635	1	1001687	4014486486612
7	INTERMEDIATE SHAFT FOR CLEANING DRIVE, WITH SLOPE COMPENSATION	84057392	1	1003337	4014486484847
8	SHAKER SHOE DRIVE, FIXED SHOE, WITHOUT SLOPE COMPENSATION	84432785	1	1000680	4014486470543
9	STRAW WALKER DRIVE	84057482	1	1000400	4014486466638
10	SHAKER SHOE AND TAILINGS ELEVATOR DRIVE, WITH SLOPE COMPENSATION	84057874	1	1000699	4014486470826
11	TAILINGS ELEVATOR DRIVE, FIXED SHOE, WITHOUT SLOPE COMPENSATION	84435035	1	1001644	4014486485967
12	DRUM VARIATOR	84035748	1	1001316	4014486497892
13	SHAKER SHOE DRIVE - SELF-LEVELLING	84056913	2	1000265	4014486464207
14	DRUM DRIVE	84061615	1	1001884	4014486489408
15	HEADER, DRIVE 3HB	84061279	1	1001880	4014486489309
16	DRIVE, ROTARY SCREEN AND FAN	84057085	1	1000175	4014486462036
17	ROTOR AND VENTILATOR DRIVE	89835816	1	1002588	4014486495812
18	BLOW-OFF SYSTEM, AIR COMPRESSOR	84061465	1	1002586	4014486495775
19	DRIVE : ALTERNATOR, WATERPUMP AND AIR	84057710	1	1002690	4014486482959
20	GRAIN ELEVATOR , DRIVE	84073457	1	1000256	4014486464054
21	ROTARY SEPARATOR DRIVE AND SHAFT, -> C415	84057393	1	1001581	4014486484885
21	ROTARY SEPARATOR DRIVE AND SHAFT, D416 ->	84457079	1	1001583	4014486484908



NEW HOLLAND

24	TAILINGS ELEVATORS, BOTTOM AUGER AND (RH)DRIVE	84058339	2	1000200	4014486462388
25	FAN VARI-DRIVE FOR FIXED SHOE ONLY	919739	1	1001136	4014486497205
25	FAN VARI-DRIVE FOR SELF-LEVELLING ONLY	84817627	1	1001135	4014486497199
22-23	DRIVE STRAW ELEVATOR 4HB	84334995	1	1004196	4014486652567

CX 780

1	BEATER DRIVE	84045256	1	1000638	4014486469950
3	UNLOADING AUGER	84061293	1	1001634	4014486485820
4	MAIN DRIVE	84057914	1	1003844	4014486490893
5	CHOPPER DRIVE	84075345	1	1001636	4014486485844
6	CHOPPER DRIVE	84075635	1	1001687	4014486486612
7	INTERMEDIATE SHAFT FOR CLEANING DRIVE, WITH SLOPE COMPENSATION	84057392	1	1003337	4014486484847
8	SHAKER SHOE DRIVE, FIXED SHOE, WITHOUT SLOPE COMPENSATION	84432785	1	1000680	4014486470543
9	STRAW WALKER DRIVE	84057482	1	1000400	4014486466638
10	SHAKER SHOE AND TAILINGS ELEVATOR DRIVE, WITH SLOPE COMPENSATION	84057874	1	1000699	4014486470826
11	TAILINGS ELEVATOR DRIVE, FIXED SHOE, WITHOUT SLOPE COMPENSATION	84435035	1	1001644	4014486485967
12	DRUM VARIATOR	84035748	1	1001316	4014486497892
13	SHAKER SHOE DRIVE - SELF-LEVELLING	84056913	2	1000265	4014486464207
14	DRUM DRIVE	84061615	1	1001884	4014486489408
15	HEADER, DRIVE 3HB	84061279	1	1001880	4014486489309
16	DRIVE, ROTARY SCREEN AND FAN	84057085	1	1000175	4014486462036
17	ROTOR AND VENTILATOR DRIVE	89835816	1	1002588	4014486495812
18	BLOW-OFF SYSTEM, AIR COMPRESSOR	84061465	1	1002586	4014486495775
19	DRIVE : ALTERNATOR, WATERPUMP AND AIR	84057710	1	1002690	4014486482959
20	GRAIN ELEVATOR , DRIVE	84073457	1	1000256	4014486464054
21	ROTARY SEPARATOR DRIVE AND SHAFT, -> C415	84057393	1	1001581	4014486484885
21	ROTARY SEPARATOR DRIVE AND SHAFT, D416 ->	84457079	1	1001583	4014486484908
24	TAILINGS ELEVATORS, BOTTOM AUGER AND (RH)DRIVE	84058339	2	1000200	4014486462388
25	FAN VARI-DRIVE FOR FIXED SHOE ONLY	919739	1	1001136	4014486497205
25	FAN VARI-DRIVE FOR SELF-LEVELLING ONLY	84817627	1	1001135	4014486497199
22-23	DRIVE STRAW ELEVATOR 4HB	84334995	1	1004196	4014486652567

CX 8030

1	BEATER DRIVE	84045256	1	1000638	4014486469950
3	UNLOADING AUGER	84061293	1	1001634	4014486485820
4	MAIN DRIVE	84057914	1	1003844	4014486490893
5	CHOPPER DRIVE	84075345	1	1001636	4014486485844
6	CHOPPER DRIVE	87339998	1	1004042	4014486519464
7	INTERMEDIATE SHAFT FOR CLEANING DRIVE, WITH SLOPE COMPENSATION	84057392	1	1003337	4014486484847
8	SHAKER SHOE DRIVE, FIXED SHOE, WITHOUT SLOPE COMPENSATION	84432785	1	1000680	4014486470543
9	STRAW WALKER DRIVE	84057482	1	1000400	4014486466638
10	SHAKER SHOE AND TAILINGS ELEVATOR DRIVE, WITH SLOPE COMPENSATION	84057874	1	1000699	4014486470826
11	TAILINGS ELEVATOR DRIVE, FIXED SHOE, WITHOUT SLOPE COMPENSATION	84435035	1	1001644	4014486485967
12	DRUM VARIATOR	84035748	1	1001316	4014486497892
13	SHAKER SHOE DRIVE - SELF-LEVELLING	84056913	2	1000265	4014486464207
14	DRUM DRIVE WITHOUT REDUCTOR	84061615	1	1001884	4014486489408
15	HEADER, DRIVE 3HB	84061279	1	1001880	4014486489309
16	DRIVE, ROTARY SCREEN AND FAN	84057085	1	1000175	4014486462036
17	ROTOR AND VENTILATOR DRIVE	89835816	1	1002588	4014486495812
18	DRIVE, ROTARY SCREEN AND FAN	84061465	1	1002586	4014486495775
19	DRIVE : ALTERNATOR, WATERPUMP AND AIR	84057710	1	1002690	4014486482959
20	GRAIN ELEVATOR , DRIVE	84073457	1	1000256	4014486464054
21	ROTARY SEPARATOR DRIVE AND SHAFT	84457079	1	1001583	4014486484908
24	TAILINGS ELEVATORS, BOTTOM AUGER AND (RH)	84058339	2	1000200	4014486462388
25	FAN VARI-DRIVE FOR FIXED SHOE ONLY	919739	1	1001136	4014486497205



NEW HOLLAND

25	FAN VARI-DRIVE FOR SELF-LEVELLING ONLY	84817627	1	1001135	4014486497199
22-23	DRIVE STRAW ELEVATOR 4HB	84334995	1	1004196	4014486652567

CX 8040

1	BEATER DRIVE	84045256	1	1000638	4014486469950
3	UNLOADING AUGER	84061293	1	1001634	4014486485820
4	MAIN DRIVE	84057914	1	1003844	4014486490893
5	CHOPPER DRIVE	84075345	1	1001636	4014486485844
6	CHOPPER DRIVE	87339998	1	1004042	4014486519464
7	INTERMEDIATE SHAFT FOR CLEANING DRIVE, WITH SLOPE COMPENSATION	84057392	1	1003337	4014486484847
8	SHAKER SHOE DRIVE, FIXED SHOE, WITHOUT SLOPE COMPENSATION	84432785	1	1000680	4014486470543
9	STRAW WALKER DRIVE	84057482	1	1000400	4014486466638
10	SHAKER SHOE AND TAILINGS ELEVATOR DRIVE, WITH SLOPE COMPENSATION	84057874	1	1000699	4014486470826
11	TAILINGS ELEVATOR DRIVE, FIXED SHOE, WITHOUT SLOPE COMPENSATION	84435035	1	1001644	4014486485967
12	DRUM VARIATOR	84035748	1	1001316	4014486497892
13	SHAKER SHOE DRIVE - SELF-LEVELLING	84056913	2	1000265	4014486464207
14	DRUM DRIVE WITHOUT REDUCTOR	84061615	1	1001884	4014486489408
15	HEADER, DRIVE 3HB	84061279	1	1001880	4014486489309
16	DRIVE, ROTARY SCREEN AND FAN	84057085	1	1000175	4014486462036
17	ROTOR AND VENTILATOR DRIVE	89835816	1	1002588	4014486495812
18	DRIVE, ROTARY SCREEN AND FAN	84061465	1	1002586	4014486495775
19	DRIVE : ALTERNATOR, WATERPUMP AND AIR	84057710	1	1002690	4014486482959
20	GRAIN ELEVATOR , DRIVE	84073457	1	1000256	4014486464054
21	ROTARY SEPARATOR DRIVE AND SHAFT	84457079	1	1001583	4014486484908
24	TAILINGS ELEVATORS, BOTTOM AUGER AND (RH)	84058339	2	1000200	4014486462388
25	FAN VARI-DRIVE FOR FIXED SHOE ONLY	919739	1	1001136	4014486497205
25	FAN VARI-DRIVE FOR SELF-LEVELLING ONLY	84817627	1	1001135	4014486497199
22-23	DRIVE STRAW ELEVATOR 4HB	84334995	1	1004196	4014486652567

CX 8050

1	BEATER DRIVE	84045256	1	1000638	4014486469950
3	UNLOADING AUGER	84061293	1	1001634	4014486485820
4	MAIN DRIVE	84057914	1	1003844	4014486490893
5	CHOPPER DRIVE	84075345	1	1001636	4014486485844
6	CHOPPER DRIVE	87339998	1	1004042	4014486519464
7	INTERMEDIATE SHAFT FOR CLEANING DRIVE, WITH SLOPE COMPENSATION	84057392	1	1003337	4014486484847
8	SHAKER SHOE DRIVE, FIXED SHOE, WITHOUT SLOPE COMPENSATION	84432785	1	1000680	4014486470543
9	STRAW WALKER DRIVE	84057482	1	1000400	4014486466638
10	SHAKER SHOE AND TAILINGS ELEVATOR DRIVE, WITH SLOPE COMPENSATION	84057874	1	1000699	4014486470826
11	TAILINGS ELEVATOR DRIVE, FIXED SHOE, WITHOUT SLOPE COMPENSATION	84435035	1	1001644	4014486485967
12	DRUM VARIATOR	84035748	1	1001316	4014486497892
13	SHAKER SHOE DRIVE - SELF-LEVELLING	84056913	2	1000265	4014486464207
14	DRUM DRIVE WITHOUT REDUCTOR	84061615	1	1001884	4014486489408
15	HEADER, DRIVE 3HB	84061279	1	1001880	4014486489309
16	DRIVE, ROTARY SCREEN AND FAN	84057085	1	1000175	4014486462036
17	ROTOR AND VENTILATOR DRIVE	89835816	1	1002588	4014486495812
18	DRIVE, ROTARY SCREEN AND FAN	84061465	1	1002586	4014486495775
19	DRIVE : ALTERNATOR, WATERPUMP AND AIR	84057710	1	1002690	4014486482959
20	GRAIN ELEVATOR , DRIVE	84073457	1	1000256	4014486464054
21	ROTARY SEPARATOR DRIVE AND SHAFT	84457079	1	1001583	4014486484908
24	TAILINGS ELEVATORS, BOTTOM AUGER AND (RH)	84058339	2	1000200	4014486462388
25	FAN VARI-DRIVE FOR FIXED SHOE ONLY	919739	1	1001136	4014486497205
25	FAN VARI-DRIVE FOR SELF-LEVELLING ONLY	84817627	1	1001135	4014486497199
22-23	DRIVE STRAW ELEVATOR 4HB	84334995	1	1004196	4014486652567



NEW HOLLAND

CX 8060

1	BEATER DRIVE	84045256	1	1000638	4014486469950
3	UNLOADING AUGER	84061293	1	1001634	4014486485820
4	MAIN DRIVE	84057914	1	1003844	4014486490893
5	CHOPPER DRIVE	84075345	1	1001636	4014486485844
6	CHOPPER DRIVE	87339998	1	1004042	4014486519464
7	INTERMEDIATE SHAFT FOR CLEANING DRIVE, WITH SLOPE COMPENSATION	84057392	1	1003337	4014486484847
8	SHAKER SHOE DRIVE, FIXED SHOE, WITHOUT SLOPE COMPENSATION	84432785	1	1000680	4014486470543
9	STRAW WALKER DRIVE	84057482	1	1000400	4014486466638
10	SHAKER SHOE AND TAILINGS ELEVATOR DRIVE, WITH SLOPE COMPENSATION	84057874	1	1000699	4014486470826
11	TAILINGS ELEVATOR DRIVE, FIXED SHOE, WITHOUT SLOPE COMPENSATION	84435035	1	1001644	4014486485967
12	DRUM VARIATOR	84035748	1	1001316	4014486497892
13	SHAKER SHOE DRIVE - SELF-LEVELLING	84056913	2	1000265	4014486464207
14	DRUM DRIVE WITHOUT REDUCTOR	84061615	1	1001884	4014486489408
15	HEADER, DRIVE 3HB	84061279	1	1001880	4014486489309
16	DRIVE, ROTARY SCREEN AND FAN	84057085	1	1000175	4014486462036
17	ROTOR AND VENTILATOR DRIVE	89835816	1	1002588	4014486495812
18	DRIVE, ROTARY SCREEN AND FAN	84061465	1	1002586	4014486495775
19	DRIVE : ALTERNATOR, WATERPUMP AND AIR	84057710	1	1002690	4014486482959
20	GRAIN ELEVATOR , DRIVE	84073457	1	1000256	4014486464054
21	ROTARY SEPARATOR DRIVE AND SHAFT	84457079	1	1001583	4014486484908
24	TAILINGS ELEVATORS, BOTTOM AUGER AND (RH)	84058339	2	1000200	4014486462388
25	FAN VARI-DRIVE FOR FIXED SHOE ONLY	919739	1	1001136	4014486497205
25	FAN VARI-DRIVE FOR SELF-LEVELLING ONLY	84817627	1	1001135	4014486497199
22-23	DRIVE STRAW ELEVATOR 4HB	84334995	1	1004196	4014486652567

CX 8080

1	BEATER DRIVE	84045256	1	1000638	4014486469950
3	UNLOADING AUGER	84061293	1	1001634	4014486485820
4	MAIN DRIVE	84057914	1	1003844	4014486490893
5	CHOPPER DRIVE	84075345	1	1001636	4014486485844
6	CHOPPER DRIVE	87339998	1	1004042	4014486519464
7	INTERMEDIATE SHAFT FOR CLEANING DRIVE, WITH SLOPE COMPENSATION	84057392	1	1003337	4014486484847
8	SHAKER SHOE DRIVE, FIXED SHOE, WITHOUT SLOPE COMPENSATION	84432785	1	1000680	4014486470543
9	STRAW WALKER DRIVE	84057482	1	1000400	4014486466638
10	SHAKER SHOE AND TAILINGS ELEVATOR DRIVE, WITH SLOPE COMPENSATION	84057874	1	1000699	4014486470826
11	TAILINGS ELEVATOR DRIVE, FIXED SHOE, WITHOUT SLOPE COMPENSATION	84435035	1	1001644	4014486485967
12	DRUM VARIATOR	84035748	1	1001316	4014486497892
13	SHAKER SHOE DRIVE - SELF-LEVELLING	84056913	2	1000265	4014486464207
14	DRUM DRIVE WITHOUT REDUCTOR	84061615	1	1001884	4014486489408
15	HEADER, DRIVE 3HB	84061279	1	1001880	4014486489309
16	DRIVE, ROTARY SCREEN AND FAN	84057085	1	1000175	4014486462036
17	ROTOR AND VENTILATOR DRIVE	89835816	1	1002588	4014486495812
18	DRIVE, ROTARY SCREEN AND FAN	84061465	1	1002586	4014486495775
19	DRIVE : ALTERNATOR, WATERPUMP AND AIR	84057710	1	1002690	4014486482959
20	GRAIN ELEVATOR , DRIVE	84073457	1	1000256	4014486464054
21	ROTARY SEPARATOR DRIVE AND SHAFT	84457079	1	1001583	4014486484908
24	TAILINGS ELEVATORS, BOTTOM AUGER AND (RH)	84058339	2	1000200	4014486462388
25	FAN VARI-DRIVE FOR FIXED SHOE ONLY	919739	1	1001136	4014486497205
25	FAN VARI-DRIVE FOR SELF-LEVELLING ONLY	84817627	1	1001135	4014486497199
22-23	DRIVE STRAW ELEVATOR 4HB	84334995	1	1004196	4014486652567



NEW HOLLAND

CX 8090

1	BEATER DRIVE	84045256	1	1000638	4014486469950
3	UNLOADING AUGER	84061293	1	1001634	4014486485820
4	MAIN DRIVE	84057914	1	1003844	4014486490893
5	CHOPPER DRIVE	84075345	1	1001636	4014486485844
6	CHOPPER DRIVE	87339998	1	1004042	4014486519464
7	INTERMEDIATE SHAFT FOR CLEANING DRIVE, WITH SLOPE COMPENSATION	84057392	1	1003337	4014486484847
8	SHAKER SHOE DRIVE, FIXED SHOE, WITHOUT SLOPE COMPENSATION	84432785	1	1000680	4014486470543
9	STRAW WALKER DRIVE	84057482	1	1000400	4014486466638
10	SHAKER SHOE AND TAILINGS ELEVATOR DRIVE, WITH SLOPE COMPENSATION	84057874	1	1000699	4014486470826
11	TAILINGS ELEVATOR DRIVE, FIXED SHOE, WITHOUT SLOPE COMPENSATION	84435035	1	1001644	4014486485967
12	DRUM VARIATOR FOR CX8030, CX8040, CX8050, CX8060, CX8070, CX8080 ONLY	84035748	1	1001316	4014486497892
13	SHAKER SHOE DRIVE - SELF-LEVELLING	84056913	2	1000265	4014486464207
14	DRUM DRIVE WITHOUT REDUCTOR	84061615	1	1001884	4014486489408
15	HEADER, DRIVE 3HB	84061279	1	1001880	4014486489309
16	DRIVE, ROTARY SCREEN AND FAN	84057085	1	1000175	4014486462036
17	DRIVE, ROTARY SCREEN AND FAN	84459056	2	1004161	4014486523393
17	ROTOR AND VENTILATOR DRIVE	89835816	1	1002588	4014486495812
18	DRIVE, ROTARY SCREEN AND FAN	84061465	1	1002586	4014486495775
19	DRIVE : ALTERNATOR, WATERPUMP AND AIR	84057710	1	1002690	4014486482959
20	GRAIN ELEVATOR , DRIVE	84073457	1	1000256	4014486464054
21	ROTARY SEPARATOR DRIVE AND SHAFT	84457079	1	1001583	4014486484908
24	TAILINGS ELEVATORS, BOTTOM AUGER AND (RH)	84058339	2	1000200	4014486462388
25	FAN VARI-DRIVE FOR FIXED SHOE ONLY	919739	1	1001136	4014486497205
25	FAN VARI-DRIVE FOR SELF-LEVELLING ONLY	84817627	1	1001135	4014486497199
22-23	DRIVE STRAW ELEVATOR 4HB	84334995	1	1004196	4014486652567

CX 820

1	BEATER DRIVE	84045256	1	1000638	4014486469950
3	UNLOADING AUGER	84061293	1	1001634	4014486485820
4	MAIN DRIVE	84057914	1	1003844	4014486490893
5	CHOPPER DRIVE	84075345	1	1001636	4014486485844
6	CHOPPER DRIVE	84075635	1	1001687	4014486486612
7	INTERMEDIATE SHAFT FOR CLEANING DRIVE, WITH SLOPE COMPENSATION	84057392	1	1003337	4014486484847
8	SHAKER SHOE DRIVE, FIXED SHOE, WITHOUT SLOPE COMPENSATION	84432785	1	1000680	4014486470543
9	STRAW WALKER DRIVE	84057482	1	1000400	4014486466638
10	SHAKER SHOE AND TAILINGS ELEVATOR DRIVE, WITH SLOPE COMPENSATION	84057874	1	1000699	4014486470826
11	TAILINGS ELEVATOR DRIVE, FIXED SHOE, WITHOUT SLOPE COMPENSATION	84435035	1	1001644	4014486485967
12	DRUM VARIATOR	84035748	1	1001316	4014486497892
13	SHAKER SHOE DRIVE - SELF-LEVELLING	84056913	2	1000265	4014486464207
14	DRUM DRIVE	84061615	1	1001884	4014486489408
15	HEADER, DRIVE 3HB	84061279	1	1001880	4014486489309
16	DRIVE, ROTARY SCREEN AND FAN	84057085	1	1000175	4014486462036
17	ROTOR AND VENTILATOR DRIVE	89835816	1	1002588	4014486495812
18	BLOW-OFF SYSTEM, AIR COMPRESSOR	84061465	1	1002586	4014486495775
19	DRIVE : ALTERNATOR, WATERPUMP AND AIR	84057710	1	1002690	4014486482959
20	GRAIN ELEVATOR , DRIVE	84073457	1	1000256	4014486464054
21	ROTARY SEPARATOR DRIVE AND SHAFT, -> C415	84057393	1	1001581	4014486484885
21	ROTARY SEPARATOR DRIVE AND SHAFT, D416 ->	84457079	1	1001583	4014486484908
24	TAILINGS ELEVATORS, BOTTOM AUGER AND (RH)DRIVE	84058339	2	1000200	4014486462388
25	FAN VARI-DRIVE FOR FIXED SHOE ONLY	919739	1	1001136	4014486497205
25	FAN VARI-DRIVE FOR SELF-LEVELLING ONLY	84817627	1	1001135	4014486497199
22-23	DRIVE STRAW ELEVATOR 4HB	84334995	1	1004196	4014486652567



NEW HOLLAND

CX 840

2	GRASS SEED EQUIPMENT - ACCESSORIES FOR SELF LEVELLING ONLY	84023277	1	1001132	4014486497168
2	GRASS SEED EQUIPMENT - ACCESSORIES FOR FIXED SHOE ONLY	84023278	1	1001133	4014486497175
3	SHAKER SHOE DRIVE - SELF-LEVELLING	84056913	2	1000265	4014486464207
4	INTERMEDIATE SHAFT - CLEANING DRIVE	84057392	1	1003337	4014486484847
5	STRAW WALKER DRIVE	84057482	1	1000400	4014486466638
6	SHAKER SHOE AND TAILINGS ELEVATOR DRIVE - SELF LEVELLING	84057874	1	1000699	4014486470826
7	TAILINGS ELEVATORS - BOTTOM AUGER AND (RIGHT HAND) DRIVE	84058339	2	1000200	4014486462388
8	SHAKER SHOE DRIVE - FIXED SHOE	84432785	1	1000680	4014486470543
9	TAILINGS ELEVATOR DRIVE - FIXED SHOE	84435035	1	1001644	4014486485967
10	MAIN FAN VARIABLE SPEED DRIVE FOR FIXED SHOE ONLY	919739	1	1001136	4014486497205
10	MAIN FAN VARIABLE SPEED DRIVE FOR SELF LEVELLING ONLY	9502654	1	1001135	4014486497199
11	ROTARY SCREEN AND FAN	84057085	1	1000175	4014486462036
12	ALTERNATOR, WATERPUMP AND AIR COMPRESSOR	84057710	1	1002690	4014486482959
13	MAIN DRIVE	84057914	1	1003844	4014486490893
14	ROTARY SCREEN AND FAN	84061465	1	1002586	4014486495775
15	AIR COMPRESSOR - BLOW-OFF SYSTEM	84061465	1	1002586	4014486495775
17	ROTARY SCREEN AND FAN	9835816	1	1002588	4014486495812
18	HEADER DRIVE	84061279	1	1001880	4014486489309
19	STRAW ELEVATOR DRIVE	84334995	1	1004196	4014486652567
20	STRAW ELEVATOR DRIVE	84434260	1	1001714	4014486486940
21	STRAW ELEVATOR DRIVE	84434295	1	1001645	4014486485974
22	DRUM DRIVE VARIABLE SPEED	84035748	1	1001316	4014486497892
23	BEATER DRIVE	84045256	1	1000638	4014486469950
24	ROTARY SEPARATOR DRIVE AND SHAFT	84057393	1	1001581	4014486484885
25	DRUM DRIVE WITH REDUCTOR	84061615	1	1001884	4014486489408
26	DRUM DRIVE WITHOUT REDUCTOR	84061615	1	1001884	4014486489408
27	ROTARY SEPARATOR DRIVE AND SHAFT	84457079	1	1001583	4014486484908
28	UNLOADING AUGER DRIVE	84061293	1	1001634	4014486485820
29	ELEVATOR DRIVE GRAIN	84073457	1	1000256	4014486464054
1A	CHOPPER DRIVE	84075345	1	1001636	4014486485844
1B	CHOPPER DRIVE	84075635	1	1001687	4014486486612

CX 860

2	GRASS SEED EQUIPMENT - ACCESSORIES FOR SELF LEVELLING ONLY	84023277	1	1001132	4014486497168
2	GRASS SEED EQUIPMENT - ACCESSORIES FOR FIXED SHOE ONLY	84023278	1	1001133	4014486497175
3	SHAKER SHOE DRIVE - SELF-LEVELLING	84056913	2	1000265	4014486464207
4	INTERMEDIATE SHAFT - CLEANING DRIVE	84057392	1	1003337	4014486484847
5	STRAW WALKER DRIVE	84057482	1	1000400	4014486466638
6	SHAKER SHOE AND TAILINGS ELEVATOR DRIVE - SELF LEVELLING	84057874	1	1000699	4014486470826
7	TAILINGS ELEVATORS - BOTTOM AUGER AND (RIGHT HAND) DRIVE	84058339	2	1000200	4014486462388
8	SHAKER SHOE DRIVE - FIXED SHOE	84432785	1	1000680	4014486470543
9	TAILINGS ELEVATOR DRIVE - FIXED SHOE	84435035	1	1001644	4014486485967
10	MAIN FAN VARIABLE SPEED DRIVE FOR FIXED SHOE ONLY	919739	1	1001136	4014486497205
10	MAIN FAN VARIABLE SPEED DRIVE FOR SELF LEVELLING ONLY	9502654	1	1001135	4014486497199
11	ROTARY SCREEN AND FAN	84057085	1	1000175	4014486462036
12	ALTERNATOR, WATERPUMP AND AIR COMPRESSOR	84057710	1	1002690	4014486482959
13	MAIN DRIVE	84057914	1	1003844	4014486490893
14	ROTARY SCREEN AND FAN	84061465	1	1002586	4014486495775
15	AIR COMPRESSOR - BLOW-OFF SYSTEM	84061465	1	1002586	4014486495775
18	HEADER DRIVE	84061279	1	1001880	4014486489309
19	STRAW ELEVATOR DRIVE	84334995	1	1004196	4014486652567
20	STRAW ELEVATOR DRIVE	84434260	1	1001714	4014486486940
21	STRAW ELEVATOR DRIVE	84434295	1	1001645	4014486485974



NEW HOLLAND

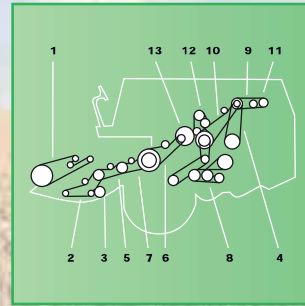
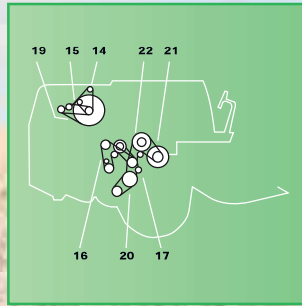
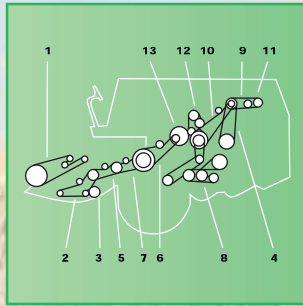
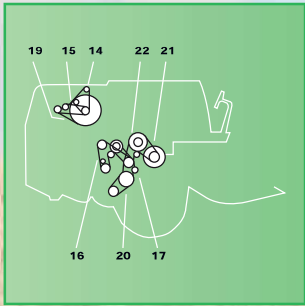
22	DRUM DRIVE VARIABLE SPEED	84035748	1	1001316	4014486497892
23	BEATER DRIVE	84045256	1	1000638	4014486469950
24	ROTARY SEPARATOR DRIVE AND SHAFT	84057393	1	1001581	4014486484885
25	DRUM DRIVE WITH REDUCTOR	84061615	1	1001884	4014486489408
26	DRUM DRIVE WITHOUT REDUCTOR	84061615	1	1001884	4014486489408
27	ROTARY SEPARATOR DRIVE AND SHAFT	84457079	1	1001583	4014486484908
28	UNLOADING AUGER DRIVE	84061293	1	1001634	4014486485820
29	ELEVATOR DRIVE GRAIN	84073457	1	1000256	4014486464054
1A	CHOPPER DRIVE	84075345	1	1001636	4014486485844
1B	CHOPPER DRIVE	84075635	1	1001687	4014486486612

CX 880

2	GRASS SEED EQUIPMENT - ACCESSORIES FOR SELF LEVELLING ONLY	84023277	1	1001132	4014486497168
2	GRASS SEED EQUIPMENT - ACCESSORIES FOR FIXED SHOE ONLY	84023278	1	1001133	4014486497175
3	SHAKER SHOE DRIVE - SELF-LEVELLING	84056913	2	1000265	4014486464207
4	INTERMEDIATE SHAFT - CLEANING DRIVE	84057392	1	1003337	4014486484847
5	STRAW WALKER DRIVE	84057482	1	1000400	4014486466638
6	SHAKER SHOE AND TAILINGS ELEVATOR DRIVE - SELF LEVELLING	84057874	1	1000699	4014486470826
7	TAILINGS ELEVATORS - BOTTOM AUGER AND (RIGHT HAND) DRIVE	84058339	2	1000200	4014486462388
8	SHAKER SHOE DRIVE - FIXED SHOE	84432785	1	1000680	4014486470543
9	TAILINGS ELEVATOR DRIVE - FIXED SHOE	84435035	1	1001644	4014486485967
10	MAIN FAN VARIABLE SPEED DRIVE FOR FIXED SHOE ONLY	919739	1	1001136	4014486497205
10	MAIN FAN VARIABLE SPEED DRIVE FOR SELF LEVELLING ONLY	9502654	1	1001135	4014486497199
11	ROTARY SCREEN AND FAN	84057085	1	1000175	4014486462036
12	ALTERNATOR, WATERPUMP AND AIR COMPRESSOR	84057710	1	1002690	4014486482959
13	MAIN DRIVE	84057914	1	1003844	4014486490893
14	ROTARY SCREEN AND FAN	84061465	1	1002586	4014486495775
15	AIR COMPRESSOR - BLOW-OFF SYSTEM	84061465	1	1002586	4014486495775
18	HEADER DRIVE	84061279	1	1001880	4014486489309
19	STRAW ELEVATOR DRIVE	84334995	1	1004196	4014486652567
20	STRAW ELEVATOR DRIVE	84434260	1	1001714	4014486486940
21	STRAW ELEVATOR DRIVE	84434295	1	1001645	4014486485974
22	DRUM DRIVE VARIABLE SPEED	84035748	1	1001316	4014486497892
23	BEATER DRIVE	84045256	1	1000638	4014486469950
24	ROTARY SEPARATOR DRIVE AND SHAFT	84057393	1	1001581	4014486484885
25	DRUM DRIVE WITH REDUCTOR	84061615	1	1001884	4014486489408
26	DRUM DRIVE WITHOUT REDUCTOR	84061615	1	1001884	4014486489408
27	ROTARY SEPARATOR DRIVE AND SHAFT	84457079	1	1001583	4014486484908
28	UNLOADING AUGER DRIVE	84061293	1	1001634	4014486485820
29	ELEVATOR DRIVE GRAIN	84073457	1	1000256	4014486464054
1A	CHOPPER DRIVE	84075345	1	1001636	4014486485844
1B	CHOPPER DRIVE	84075635	1	1001687	4014486486612

FX 300

1	MAIN DRIVE	84017742	2	1001167	4014486491784
2	DRIVE	84026761	4	1002746	4014486461862
3	FAN DRIVE	84012975	2	1002087	4014486519129
4	ALTERNATOR DRIVE	84022807	1	1001132	4014486497168
5	COMPRESSOR DRIVE	80747177	1	1002582	4014486495638
5	COMPRESSOR DRIVE	89835815	1	1002588	4014486495812



NEW HOLLAND

FX 375

1	MAIN DRIVE	84017742	2	1001167	4014486491784
2	DRIVE	84026761	4	1002746	4014486461862
3	FAN DRIVE	84012975	2	1002087	4014486519129
4	ALTERNATOR DRIVE	84022807	1	1001132	4014486497168
5	COMPRESSOR DRIVE	80747177	1	1002582	4014486495638
5	COMPRESSOR DRIVE	89835815	1	1002588	4014486495812

FX 450

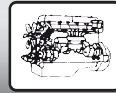
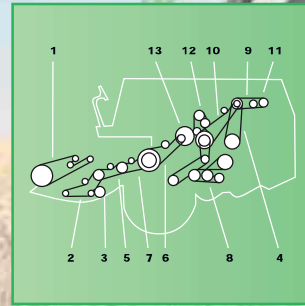
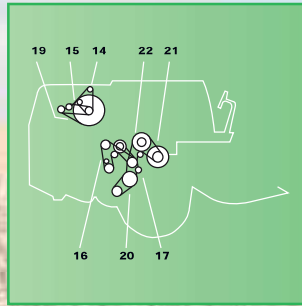
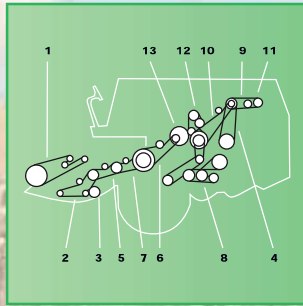
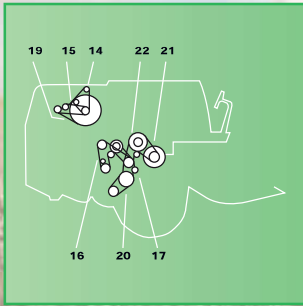
1	MAIN DRIVE	84017742	2	1001167	4014486491784
2	DRIVE	84026761	4	1002746	4014486461862
3	FAN DRIVE	84012975	2	1002087	4014486519129
4	ALTERNATOR DRIVE	84022807	1	1001132	4014486497168
5	COMPRESSOR DRIVE	80747177	1	1002582	4014486495638
5	COMPRESSOR DRIVE	89835815	1	1002588	4014486495812

M 103

1	THRESHING DRUM VARIATOR DRIVE	80230078	1	1001509	4014486460254
8	REEL DRIVE INTERMEDIATE SHAFT - (LOWER)	80230057	1	1000603	4014486469370
10	REEL DRIVE	80230060	1	1003534	4014486470536
11	HYDRAULIC PUMP DRIVE	80230043	1	1003400	4014486462906
18	POWER STEERING	80230043	1	1003400	4014486462906
26	AUGER DRIVE GRAIN TANK	80230045	1	1001568	4014486484717

M 122

1	HYDRAULIC PUMP DRIVE	80230043	1	1003400	4014486462906
2	TAILINGS ELEVATOR	80230046	1	1004468	4014486712124
3	STRAW ELEVATOR DRIVE	80230059	1	1000654	4014486470178
4	GRAIN TANK UNLOADING	80230061	1	1000717	4014486471076
5	REEL DRIVE	80230061	1	1000717	4014486471076
11	ELEVATOR DRIVE	80230046	1	1004468	4014486712124
12	CYLINDER	80230078	1	1001509	4014486460254
13	UNLOADING SYSTEM	80326298	1	1003489	4014486468427
14	FAN DRIVE	80330204	1	1000243	4014486463613
15	DEUTZ ENGINE	80327040	1	1002267	4014486478358



NEW HOLLAND

M 133

1	HYDRAULIC PUMP DRIVE	80230043	1	1003400	4014486462906
2	REEL DRIVE ECCENTRIC	80230060	1	1003534	4014486470536
3	REEL DRIVE	80230061	1	1000717	4014486471076
4	STRAW ELEVATOR DRIVE	80230073	1	1000904	4014486473506
11	FAN DRIVE VARIABLE SPEED	80230056	1	1003232	4014486518658
12	TAILINGS ELEVATOR DRIVE	80230057	1	1000603	4014486469370
12	ELEVATOR DRIVE GRAIN	80230059	1	1000654	4014486470178
13	ELEVATOR DRIVE UNIT	80230059	1	1000654	4014486470178
14	CYLINDER	80230078	1	1001509	4014486460254
16	DISCHARGE AUGER SHAFT	80230103	1	1000881	4014486473216
17	STRAW WALKER DRIVE	80230108	1	1003452	4014486465617
18	FAN DRIVE	80336386	1	1000027	4014486483482
19	ALTERNATOR DRIVE	80336426	1	1000020	4014486483390

M 135

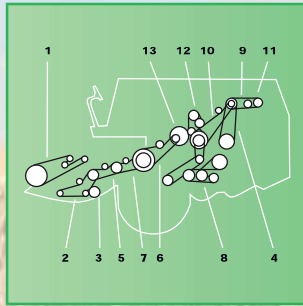
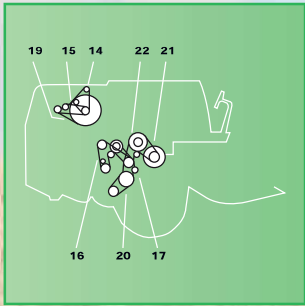
1	HYDRAULIC PUMP DRIVE	80230043	1	1003400	4014486462906
2	REEL DRIVE ECCENTRIC	80230060	1	1003534	4014486470536
3	REEL DRIVE	80230061	1	1000717	4014486471076
4	STRAW ELEVATOR DRIVE	80230073	1	1000904	4014486473506
11	FAN DRIVE VARIABLE SPEED	80230056	1	1003232	4014486518658
12	TAILINGS ELEVATOR DRIVE	80230057	1	1000603	4014486469370
12	ELEVATOR DRIVE GRAIN	80230059	1	1000654	4014486470178
13	ELEVATOR DRIVE UNIT	80230059	1	1000654	4014486470178
14	CYLINDER	80230078	1	1001509	4014486460254
16	DISCHARGE AUGER SHAFT	80230103	1	1000881	4014486473216
17	STRAW WALKER DRIVE	80230108	1	1003452	4014486465617
18	FAN DRIVE	80336386	1	1000027	4014486483482
19	ALTERNATOR DRIVE	80336426	1	1000020	4014486483390

M 140

1	HYDRAULIC PUMP DRIVE	80230043	1	1003400	4014486462906
2	REEL DRIVE ECCENTRIC	80230060	1	1003534	4014486470536
3	REEL DRIVE	80230061	1	1000717	4014486471076
4	STRAW ELEVATOR DRIVE	80230073	1	1000904	4014486473506
11	FAN DRIVE VARIABLE SPEED	80230056	1	1003232	4014486518658
12	TAILINGS ELEVATOR DRIVE	80230057	1	1000603	4014486469370
12	ELEVATOR DRIVE GRAIN	80230059	1	1000654	4014486470178
13	ELEVATOR DRIVE UNIT	80230059	1	1000654	4014486470178
14	CYLINDER	80230078	1	1001509	4014486460254
16	DISCHARGE AUGER SHAFT	80230103	1	1000881	4014486473216
17	STRAW WALKER DRIVE	80230108	1	1003452	4014486465617
18	FAN DRIVE	80336386	1	1000027	4014486483482
19	ALTERNATOR DRIVE	80336426	1	1000020	4014486483390

M 80

1	HYDRAULIC PUMP DRIVE	80230043	1	1003400	4014486462906
2	TAILINGS ELEVATOR	80230046	1	1004468	4014486712124
5	STRAW ELEVATOR DRIVE	80230059	1	1000654	4014486470178
6	REEL DRIVE	80230060	1	1003534	4014486470536
7	STICKLE KNIFE DRIVE	80230060	1	1003534	4014486470536
8	GRAIN TANK UNLOADING	80230061	1	1000717	4014486471076
18	ELEVATOR DRIVE	80230046	1	1004468	4014486712124
20	CYLINDER	80230078	1	1001509	4014486460254



NEW HOLLAND

M 89

1	HYDRAULIC PUMP DRIVE	80230043	1	1003400	4014486462906
3	STRAW ELEVATOR DRIVE	80230059	1	1000654	4014486470178
4	REEL DRIVE	80230060	1	1003534	4014486470536
5	STICKLE KNIFE DRIVE	80230060	1	1003534	4014486470536
6	GRAIN TANK UNLOADING	80230061	1	1000717	4014486471076
10	TAILINGS ELEVATOR	80230046	1	1004468	4014486712124
14	ELEVATOR DRIVE	80230046	1	1004468	4014486712124
16	CYLINDER	80230078	1	1001509	4014486460254

TC 5040

3	DRIVE, ROTARY SCREEN AND FAN	84989965	1	1000169	4014486461954
4	AIR CONDITIONING FAN DRIVE	9818704	1	1000074	4014486483949
4	INTERMEDIATE SHAFT DRIVE	87535206	1	1003727	4014486495164
4	AIR CONDITIONING FAN DRIVE	89818704	1	1000074	4014486483949
7	UNLOADING AUGER DRIVE	84448591	1	1000657	4014486470215
8	HEADER DRIVE ENGAGING IDLER 3HB ONLY	89817374	1	1001876	4014486489231
9	UPPER GROUND SPEED	80356024	1	1001489	4014486459999
10	VARIATOR DRIVE	9850782	1	1001491	4014486460018
10	VARIATOR DRIVE	89850782	1	1001491	4014486460018
11	DRIVE GROUP FOR GRAIN AND TAILINGS ELEVATOR	80422731	1	1000696	4014486470772
12	ECCENTRIC SHAFT DRIVE	80387469	1	1000700	4014486470833
15	DRUM VARI-DRIVE CONTROL	336784	1	1001506	4014486460216
16	FAN VARI-DRIVE	9515075	1	1001428	4014486459364
16	FAN VARI-DRIVE	89515075	1	1001428	4014486459364
17	FAN VARI-DRIVE	9515076	1	1001416	4014486459234
17	FAN VARI-DRIVE	89515076	1	1001416	4014486459234
18	STRAW WALKER SHAFT	80431784	1	1000328	4014486465587
20	ROTARY SEPARATOR DRIVE	89837412	1	1000573	4014486468816
13-14	2HC DRIVE BESIDE STRAW ELEVATOR	84971217	1	1001782	4014486520385

TC 5050

3	DRIVE, ROTARY SCREEN AND FAN	84989965	1	1000169	4014486461954
4	AIR CONDITIONING FAN DRIVE	9818704	1	1000074	4014486483949
4	INTERMEDIATE SHAFT DRIVE	87535206	1	1003727	4014486495164
4	AIR CONDITIONING FAN DRIVE	89818704	1	1000074	4014486483949
7	UNLOADING AUGER DRIVE	84448591	1	1000657	4014486470215
8	HEADER DRIVE ENGAGING IDLER 3HB ONLY	89817374	1	1001876	4014486489231
11	DRIVE GROUP FOR GRAIN AND TAILINGS ELEVATOR	80422731	1	1000696	4014486470772
12	ECCENTRIC SHAFT DRIVE	80387469	1	1000700	4014486470833
15	DRUM VARI-DRIVE CONTROL	336784	1	1001506	4014486460216
16	FAN VARI-DRIVE	9515075	1	1001428	4014486459364
16	FAN VARI-DRIVE	89515075	1	1001428	4014486459364
17	FAN VARI-DRIVE	9515076	1	1001416	4014486459234
17	FAN VARI-DRIVE	89515076	1	1001416	4014486459234
18	STRAW WALKER SHAFT	80431784	1	1000328	4014486465587
19	SUSPENSION HYDROSTATIC PUMP	89818873	1	1003662	4014486490718
20	ROTARY SEPARATOR DRIVE	89837412	1	1000573	4014486468816
13-14	2HC DRIVE BESIDE STRAW ELEVATOR	84971217	1	1001782	4014486520385



NEW HOLLAND

TC 5060

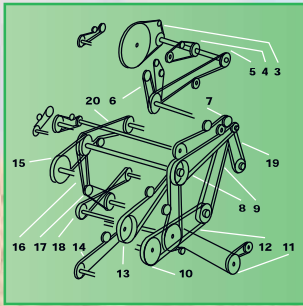
3	DRIVE, ROTARY SCREEN AND FAN	84989965	1	1000169	4014486461954
4	AIR CONDITIONING FAN DRIVE	9818704	1	1000074	4014486483949
4	INTERMEDIATE SHAFT DRIVE	87535206	1	1003727	4014486495164
4	AIR CONDITIONING FAN DRIVE	89818704	1	1000074	4014486483949
7	UNLOADING AUGER DRIVE	84448591	1	1000657	4014486470215
8	HEADER DRIVE ENGAGING IDLER 3HB ONLY	89817374	1	1001876	4014486489231
9	UPPER GROUND SPEED	80356024	1	1001489	4014486459999
10	VARIATOR DRIVE	9850782	1	1001491	4014486460018
10	VARIATOR DRIVE	89850782	1	1001491	4014486460018
11	DRIVE GROUP FOR GRAIN AND TAILINGS ELEVATOR	80422731	1	1000696	4014486470772
12	ECCENTRIC SHAFT DRIVE	80387469	1	1000700	4014486470833
15	DRUM VARI-DRIVE CONTROL	336784	1	1001506	4014486460216
16	FAN VARI-DRIVE	9515075	1	1001428	4014486459364
16	FAN VARI-DRIVE	89515075	1	1001428	4014486459364
17	FAN VARI-DRIVE	9515076	1	1001416	4014486459234
17	FAN VARI-DRIVE	89515076	1	1001416	4014486459234
18	STRAW WALKER SHAFT	80431784	1	1000328	4014486465587
20	ROTARY SEPARATOR DRIVE	89837412	1	1000573	4014486468816
13-14	2HC DRIVE BESIDE STRAW ELEVATOR	84971217	1	1001782	4014486520385

TC 5070

3	DRIVE, ROTARY SCREEN AND FAN	84989965	1	1000169	4014486461954
4	AIR CONDITIONING FAN DRIVE	9818704	1	1000074	4014486483949
4	AIR CONDITIONING FAN DRIVE	89818704	1	1000074	4014486483949
7	UNLOADING AUGER DRIVE	84448591	1	1000657	4014486470215
8	HEADER DRIVE ENGAGING IDLER 3HB ONLY	89817374	1	1001876	4014486489231
11	DRIVE GROUP FOR GRAIN AND TAILINGS ELEVATOR	80422731	1	1000696	4014486470772
12	ECCENTRIC SHAFT DRIVE	80387469	1	1000700	4014486470833
15	DRUM VARI-DRIVE CONTROL	336784	1	1001506	4014486460216
16	FAN VARI-DRIVE	9515075	1	1001428	4014486459364
16	FAN VARI-DRIVE	89515075	1	1001428	4014486459364
17	FAN VARI-DRIVE	9515076	1	1001416	4014486459234
17	FAN VARI-DRIVE	89515076	1	1001416	4014486459234
18	STRAW WALKER SHAFT	80431784	1	1000328	4014486465587
19	SUSPENSION HYDROSTATIC PUMP	89818873	1	1003662	4014486490718
20	ROTARY SEPARATOR DRIVE	89837412	1	1000573	4014486468816
13-14	2HC DRIVE BESIDE STRAW ELEVATOR	84971217	1	1001782	4014486520385

TC 5080

3	DRIVE, ROTARY SCREEN AND FAN	84989965	1	1000169	4014486461954
4	AIR CONDITIONING FAN DRIVE	9818704	1	1000074	4014486483949
4	AIR CONDITIONING FAN DRIVE	89818704	1	1000074	4014486483949
7	UNLOADING AUGER DRIVE	84448591	1	1000657	4014486470215
8	HEADER DRIVE ENGAGING IDLER 3HB ONLY	89817374	1	1001876	4014486489231
11	DRIVE GROUP FOR GRAIN AND TAILINGS ELEVATOR	80422731	1	1000696	4014486470772
12	ECCENTRIC SHAFT DRIVE	80387469	1	1000700	4014486470833
15	DRUM VARI-DRIVE CONTROL	336784	1	1001506	4014486460216
16	FAN VARI-DRIVE	9515075	1	1001428	4014486459364
16	FAN VARI-DRIVE	89515075	1	1001428	4014486459364
17	FAN VARI-DRIVE	9515076	1	1001416	4014486459234
17	FAN VARI-DRIVE	89515076	1	1001416	4014486459234
18	STRAW WALKER SHAFT	80431784	1	1000328	4014486465587
19	SUSPENSION HYDROSTATIC PUMP	89818873	1	1003662	4014486490718



NEW HOLLAND

20	ROTARY SEPARATOR DRIVE	89837412	1	1000573	4014486468816
13-14	2HC DRIVE BESIDE STRAW ELEVATOR	84971217	1	1001782	4014486520385

TC 52

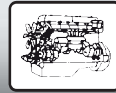
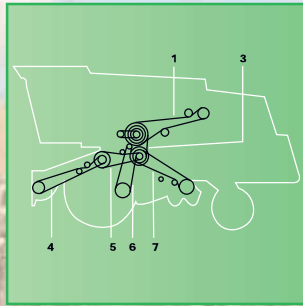
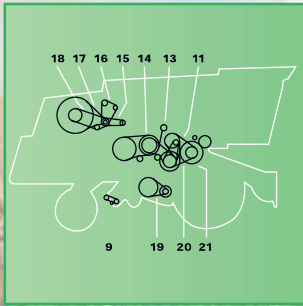
3	ROTARY DUST SCREEN DRIVE	89514310	1	1000152	4014486461725
4	RADIATOR FAN (FOR TC52 ONLY)	89831515	1	No AP	
5	ENGINE	89818705	1	1000079	4014486484007
6	ALTERNATOR AND WATERPUMP DRIVE (WITHOUT AIR COMPRESSOR)	84005860	1	1002636	4014486480405
7	INTERMEDIATE SHAFT - ENGINE	9838606	1	1000654	4014486470178
7	INTERMEDIATE SHAFT - ENGINE	89838606	1	1000654	4014486470178
8	BEATER SHAFT - MAIN DRIVE	89817374	1	1001876	4014486489231
11	AUGER (GRAIN)	80422731	1	1000696	4014486470772
12	BEATER SHAFT - ECCENTRIC SHAFT	80387469	1	1000700	4014486470833
13	STRAW ELEVATOR - BEATER SHAFT	80066232	1	1000690	4014486470697
13	STRAW ELEVATOR - BEATER SHAFT	80424563	1	1001765	4014486487480
14	HEADER DRIVE (CODE 0212) TC 52-54	89817487	1	1004471	4014486712131
14	HEADER DRIVE (CODE 0212) TC 52-54	89817488	1	1001780	4014486487671
14	HEADER DRIVE (CODE 1300) FOR L. CONV. TC52-54	89835120	1	1001781	4014486487688
14	HEADER DRIVE (CODE 1300) FOR L. CONV. TC52-54	89839375	1	1000774	4014486471830
15	DRUM - BEATER SHAFT	80336784	1	1001506	4014486460216
16	BEATER SHAFT	89515075	1	1001428	4014486459364
17	FAN DRIVE	89515076	1	1001416	4014486459234
18	STRAW WALKER - ECCENTRIC SHAFT	80431784	1	1000328	4014486465587
19	HYDROSTATIC PUMP (CODE 0800)	89818873	1	1003662	4014486490718
20	ROTARY SEPARATOR (CODE 2300)	89837412	1	1000573	4014486468816

TC 54

3	ROTARY DUST SCREEN DRIVE	89514310	1	1000152	4014486461725
4	RADIATOR FAN (FOR TC54-56 ONLY)	89818704	1	1000074	4014486483949
5	ENGINE	89818705	1	1000079	4014486484007
6	ALTERNATOR AND WATERPUMP DRIVE (WITHOUT AIR COMPRESSOR)	84005860	1	1002636	4014486480405
7	INTERMEDIATE SHAFT - ENGINE	9838606	1	1000654	4014486470178
8	BEATER SHAFT - MAIN DRIVE	89817374	1	1001876	4014486489231
11	AUGER (GRAIN)	80422731	1	1000696	4014486470772
12	BEATER SHAFT - ECCENTRIC SHAFT	80387469	1	1000700	4014486470833
13	STRAW ELEVATOR - BEATER SHAFT	80066232	1	1000690	4014486470697
13	STRAW ELEVATOR - BEATER SHAFT	80424563	1	1001765	4014486487480
14	HEADER DRIVE (CODE 0212) TC 52-54	89817487	1	1004471	4014486712131
14	HEADER DRIVE (CODE 0212) TC 52-54	89817488	1	1001780	4014486487671
14	HEADER DRIVE (CODE 1300) FOR L. CONV. TC52-54	89835120	1	1001781	4014486487688
14	HEADER DRIVE (CODE 1300) FOR L. CONV. TC52-54	89839375	1	1000774	4014486471830
15	DRUM - BEATER SHAFT	80336784	1	1001506	4014486460216
16	BEATER SHAFT	89515075	1	1001428	4014486459364
17	FAN DRIVE	89515076	1	1001416	4014486459234
18	STRAW WALKER - ECCENTRIC SHAFT	80431784	1	1000328	4014486465587
19	HYDROSTATIC PUMP (CODE 0800)	89818873	1	1003662	4014486490718
20	ROTARY SEPARATOR (CODE 2300)	89837412	1	1000573	4014486468816

TC 56

3	ROTARY DUST SCREEN DRIVE	89514310	1	1000152	4014486461725
4	RADIATOR FAN (FOR TC54-56 ONLY)	89818704	1	1000074	4014486483949
5	ENGINE	89818705	1	1000079	4014486484007
6	ALTERNATOR AND WATERPUMP DRIVE (WITHOUT AIR COMPRESSOR)	84005860	1	1002636	4014486480405
7	INTERMEDIATE SHAFT - ENGINE	9838606	1	1000654	4014486470178
8	BEATER SHAFT - MAIN DRIVE	89817374	1	1001876	4014486489231



NEW HOLLAND

11	AUGER (GRAIN)	80422731	1	1000696	4014486470772
12	BEATER SHAFT - ECCENTRIC SHAFT	80387469	1	1000700	4014486470833
13	STRAW ELEVATOR - BEATER SHAFT	80066232	1	1000690	4014486470697
13	STRAW ELEVATOR - BEATER SHAFT	80424563	1	1001765	4014486487480
14	HEADER DRIVE (CODE 0209) TC56	89817487	1	1004471	4014486712131
14	HEADER DRIVE (CODE 0209) TC56	89817488	1	1001780	4014486487671
14	HEADER DRIVE (CODE 1000) FOR L. CONV. TC56	89835120	1	1001781	4014486487688
14	HEADER DRIVE (CODE 1000) FOR L. CONV. TC56	89839375	1	1000774	4014486471830
15	DRUM - BEATER SHAFT	80336784	1	1001506	4014486460216
16	BEATER SHAFT	89515075	1	1001428	4014486459364
17	FAN DRIVE	89515076	1	1001416	4014486459234
18	STRAW WALKER - ECCENTRIC SHAFT	80431784	1	1000328	4014486465587
19	HYDROSTATIC PUMP (CODE 0800)	89818873	1	1003662	4014486490718
20	ROTARY SEPARATOR (CODE 2300)	89837412	1	1000573	4014486468816

TC 57

1		89838606	1	1000654	4014486470178
4	STRAW ELEVATOR - BEATER SHAFT	80424563	1	1001765	4014486487480
5		80825013	1	1001562	4014486484632
7		80330715	1	1000726	4014486471182
9		80755808	1	1001488	4014486459975
15	BEATER SHAFT	89515075	1	1001428	4014486459364
16	FAN DRIVE	89515076	1	1001416	4014486459234
17		80387460	1	1001537	4014486460568
18	STRAW WALKER - ECCENTRIC SHAFT	80431784	1	1000328	4014486465587

TF 42

3	BEATER TO INTERMEDIATE SHAFT (MERCEDES ENGINE)	80455865	1	1001954	4014486490596
4	STRAW ELEVATOR DRIVE	80433746	2	1000405	4014486466683
5	BEATER TO STRAW ELEVATOR	80350236	1	1003640	4014486489002
5	BEATER TO STRAW ELEVATOR	80434222	1	1001635	4014486485837
5	BEATER TO STRAW ELEVATOR	80743877	1	1003349	4014486490985
6	GROUND SPEED VARIATOR DRIVE	80440780	1	No AP	
7	SHAKER SHOE DRIVE	80448794	1	1000756	4014486471571
11	BEATER (REAR) TO DRUM SHAFT	80186347	1	1003809	4014486518740
13	INTERMEDIATE SHAFT - ROTARY SEPARATOR	80434047	1	1001602	4014486485240
14	ROTARY SEPARATOR TO ROTOR	80434046	1	1000657	4014486470215
16	MERCEDES ENGINE	80432642	1	1003746	4014486495928
17	DUST CAP	80439495	1	1000173	4014486462005
18	FAN DRIVE	80439496	1	1002609	4014486496161
19	FAN DRIVE	80439832	1	1001415	4014486459227
20	DRUM SHAFT TO INTERMEDIATE SHAFT	80434160	1	No AP	
21	INTERMEDIATE SHAFT - GRAIN ELEVATOR	80433639	1	1000237	4014486463408

TF 44

3	BEATER TO INTERMEDIATE SHAFT (MERCEDES ENGINE)	80455865	1	1001954	4014486490596
4	STRAW ELEVATOR DRIVE	80433746	2	1000405	4014486466683
5	BEATER TO STRAW ELEVATOR	80350236	1	1003640	4014486489002
5	BEATER TO STRAW ELEVATOR	80434222	1	1001635	4014486485837
5	BEATER TO STRAW ELEVATOR	80743877	1	1003349	4014486490985
6	GROUND SPEED VARIATOR DRIVE	80440780	1	No AP	
7	SHAKER SHOE DRIVE	80448794	1	1000756	4014486471571
11	BEATER (REAR) TO DRUM SHAFT	80186347	1	1003809	4014486518740
13	INTERMEDIATE SHAFT - ROTARY SEPARATOR	80434047	1	1001602	4014486485240
14	ROTARY SEPARATOR TO ROTOR	80434046	1	1000657	4014486470215



NEW HOLLAND

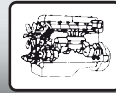
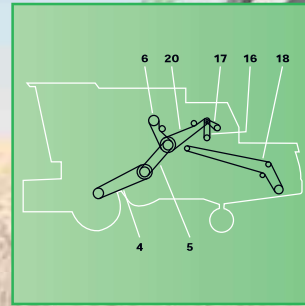
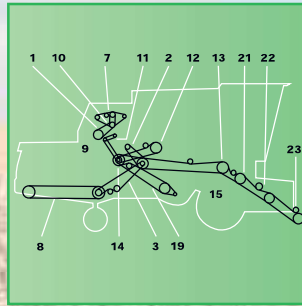
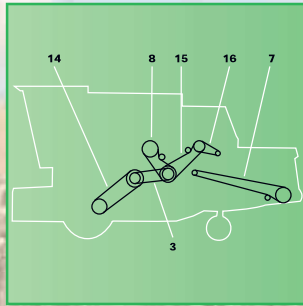
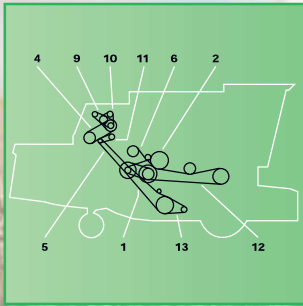
16	MERCEDES ENGINE	80432642	1	1003746	4014486495928
17	DUST CAP	80439495	1	1000173	4014486462005
18	FAN DRIVE	80439496	1	1002609	4014486496161
19	FAN DRIVE	80439832	1	1001415	4014486459227
20	DRUM SHAFT TO INTERMEDIATE SHAFT	80434160	1	No AP	
21	INTERMEDIATE SHAFT - GRAIN ELEVATOR	80433639	1	1000237	4014486463408

TF 46

1	BEATER TO INTERMEDIATE DRIVE	80750166	1	1001242	4014486491975
2	MAIN DRIVE 4HB	750290	1	1002008	4014486491371
2	MAIN DRIVE 4HB	80750290	1	1002008	4014486491371
3	DRUM DRIVE	84817628	1	1003345	4014486469844
4	STRAW ELEVATOR DRIVE - WITH LATERAL FLOTATION, 7401001 - 7406999	80453268	2	1000319	4014486465389
4	COUNTERSHAFT	80919681	1	1001602	4014486485240
5	GRAIN ELEVATOR DRUM DRIVE 3HB	84817632	1	1003639	4014486488999
5	GRAIN TANK UNLOADING	84817636	1	1003404	4014486463255
6	CLEANING SHOE DRIVE	448794	1	1000756	4014486471571
6	INTERMEDIATE SHAFT DRIVE	89832601	1	1001288	4014486497861
7	ROTARY SEPARATOR	84448591	1	1000657	4014486470215
8	ROTOR TO UNDERSHOT BEATER	80427456	1	1003351	4014486464603
9	FAN DRIVE	80750318	1	1001134	4014486497182
9	ROTARY DUST SCREEN DRIVE, 7404001 - 7409999	87374615	1	1004049	4014486518436
10	COOLING FAN DRIVE - INTERMEDIATE SHAFT	80439496	1	1002609	4014486496161
11	WATERPUMP AND ALTERNATOR DRIVE, 7416001 - 7418999	452023	2	1002976	4014486495997
11	WATERPUMP AND ALTERNATOR DRIVE, 7401001 - 7415999	80748003	2	1002974	4014486495935
12	DUST - SCREEN BELT	80436304	1	1002482	4014486493788
14	MAIN DRIVE 2HB	84000191	1	1003616	4014486486667
16	CHOPPER DRIVE, 7422001 -	84000189	1	1000666	4014486470338
17	CHOPPER DRIVE, 7410001 -	80457309	1	1000181	4014486462104
18	WATERPUMP DRIVE	80443634	1	1002543	4014486494723

TF 76

1	MAIN DRIVE BELT	84817623	1	1001954	4014486490596
2	HYDROSTATIC DRIVE	84817631	1	1002006	4014486491340
3	FAN DRIVE	84817629	1	1001557	4014486484564
4	DRIVE BESIDES STRAW ELEVATOR 4HB	9593400	1	1002029	4014486491647
4	GRAIN ELEVATOR DRIVE	89593418	1	No AP	
5	BEATER TO STRAW ELEVATOR 2HB	80434222	1	1001635	4014486485837
5	BEATER TO STRAW ELEVATOR 2HB	84817632	1	1003639	4014486488999
6	SHAKER SHOE DRIVE	448794	1	1000756	4014486471571
10	CHOPPER, DRIVE FOR TF76 ONLY	84000189	1	1000666	4014486470338
12	DRUM DRIVE	84817628	1	1003345	4014486469844
13	EXTENSION COUNTERSHAFT	80919681	1	1001602	4014486485240
14	AUGER DRIVE	84817636	1	1003404	4014486463255
15	BEATER TO INTERMEDIATE DRIVE	89832601	1	1001288	4014486497861
16	ROTARY SEPARATOR	84448591	1	1000657	4014486470215
17	THROW-OUT BEATER DRIVE	80427456	1	1003351	4014486464603
18	CLEANING FAN DRIVE	84817627	1	1001135	4014486497199
21		84000189	1	1000666	4014486470338
22	CENTRIFUGAL SEPARATOR	84817639	1	1002608	4014486496154
23	ALTERNATOR, WATERPUMP AND FAN	84817638	1	1003807	4014486483048
24	HYDRAULIC PUMP	84817670	2	1002969	4014486495584
25	CLEANING FAN DRIVE	84817630	1	1002606	4014486496130
26	COMPRESSOR DRIVE	84817626	1	1002579	4014486495560
27	ROTARY SIEVE	84022715	1	No AP	



NEW HOLLAND

TF 78

1	THRESHING, DRIVE, BELT AND GUARD	80750166	1	1001242	4014486491975
2	HYDROSTATIC DRIVE	84817631	1	1002006	4014486491340
3	FAN DRIVE 2 HB	84817629	1	1001557	4014486484564
4	DRIVE BESIDES STRAW ELEVATOR 4HB	9593400	1	1002029	4014486491647
4	GRAIN ELEVATOR DRIVE	89593418	1	No AP	
5	BEATER TO STRAW ELEVATOR 2HB	80434222	1	1001635	4014486485837
5	BEATER TO STRAW ELEVATOR 2HB	84817632	1	1003639	4014486488999
6	SHAKER SHOE DRIVE	448794	1	1000756	4014486471571
10	CHOPPER, DRIVE FOR TF78 ONLY	84000189	1	1000666	4014486470338
12	DRUM DRIVE	84817628	1	1003345	4014486469844
13	EXTENSION COUNTERSHAFT	80919681	1	1001602	4014486485240
14	AUGER DRIVE	84817636	1	1003404	4014486463255
15	BEATER TO INTERMEDIATE DRIVE	89832601	1	1001288	4014486497861
16	ROTARY SEPARATOR	84448591	1	1000657	4014486470215
17	THROW-OUT BEATER DRIVE	80427456	1	1003351	4014486464603
18	CLEANING FAN DRIVE	84817627	1	1001135	4014486497199
22	ROTARY SCREEN DRIVE	84021588	1	1000083	4014486519358
23	AIR CONDITIONER, ENGINE PARTS	84007307	2	1002605	4014486496123
24	HYDRAULIC PUMP	89835816	1	1002588	4014486495812
25	ROTARY SCREEN DRIVE	84021590	1	1000082	4014486519341

TL80

	FAN BELT	4796327	1	1002461	4014486493450
--	----------	---------	---	---------	---------------

TL90

	FAN BELT	4796327	1	1002461	4014486493450
--	----------	---------	---	---------	---------------

TN60VA

	AIR CONDITIONING COMPRESSOR DRIVE	87324567	1	1002575	4014486495478
--	-----------------------------------	----------	---	---------	---------------

TN65V

	AIR CONDITIONING COMPRESSOR DRIVE	87324567	1	1002575	4014486495478
--	-----------------------------------	----------	---	---------	---------------

TN70VA

	AIR CONDITIONING COMPRESSOR DRIVE	87324567	1	1002575	4014486495478
--	-----------------------------------	----------	---	---------	---------------

TN75VA

	AIR CONDITIONING COMPRESSOR DRIVE	87324567	1	1002575	4014486495478
--	-----------------------------------	----------	---	---------	---------------

TN95VA

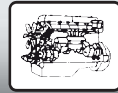
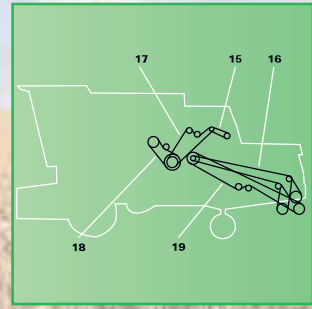
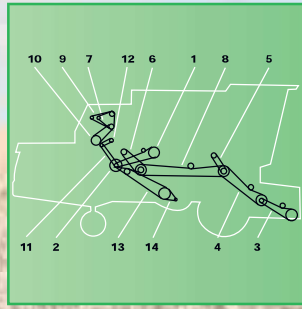
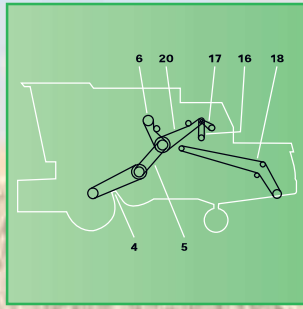
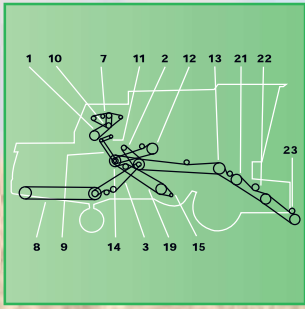
	AIR CONDITIONING COMPRESSOR DRIVE	87324567	1	1002575	4014486495478
--	-----------------------------------	----------	---	---------	---------------

TR 70

6	ROTOR DRIVE (OPT FOR HIGH SPEED)	715785	1	1004170	4014486522808
10	ALTERNATOR AND FAN DRIVE (CATERPILLAR ENGINE DIESEL)	626654	2	1002963	4014486495324

TR 75

11	ROTARY SCREEN (UPPER)	716254	1	No AP	
13	HEADER DRIVE 193	682008	1	1004122	4014486522969
17	AIR COMPRESSOR - 48	259346	1	1004159	4014486523379
17	AIR COMPRESSOR - 48	80259346	1	1004159	4014486523379
22	FEEDER HOUSE FIXED SPEED	621367	1	1004120	4014486522945



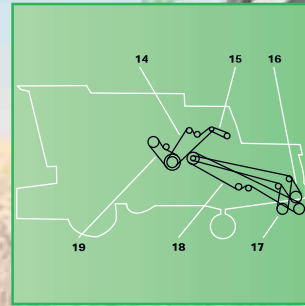
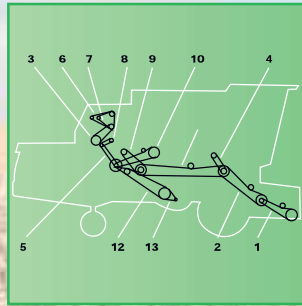
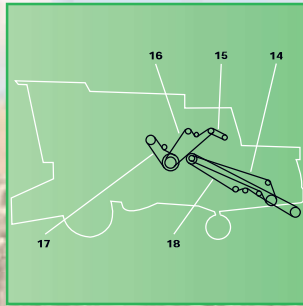
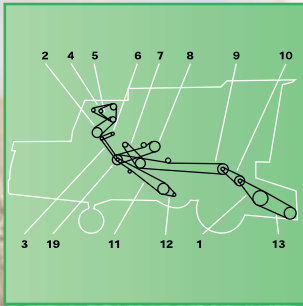
NEW HOLLAND

TR 85

11	ROTARY SCREEN (UPPER)	716254	1	No AP	
13	HEADER DRIVE 193	682008	1	1004122	4014486522969
17	AIR COMPRESSOR - 48	259346	1	1004159	4014486523379
22	FEEDER HOUSE FIXED SPEED	621367	1	1004120	4014486522945

TR 86

4	FEEDER HOUSE FIXED SPEED	621367	1	1004120	4014486522945
4	FEEDER DRIVE VARIABLE SPEED	849514	1	1004169	4014486522792
4	SMALL GRAIN SPECIAL	9613963	1	1004140	4014486523201
7	ENGINE FAN HYDRAULIC PUMP	855676	1	1003746	4014486495928
8	HEADER DRIVE	682008	1	1004122	4014486522969
9	ALTERNATOR DRIVE	626654	2	1002963	4014486495324
10	HYDRAULIC PUMP DRIVE	855676	1	1003746	4014486495928
12	ROTARY SCREEN DRIVE (SECONDARY)	716254	1	No AP	
15	AIR CONDITIONING COMPRESSOR DRIVE	259346	1	1004159	4014486523379
15	AIR CONDITIONING COMPRESSOR DRIVE	577240	1	1002565	4014486495225



NEW HOLLAND

TR 95

1	FEEDER HOUSE FIXED SPEED	621367	1	1004120	4014486522945
2	HYDRAULIC PUMP DRIVE	624650	2	1002841	4014486464078
3	ROTARY SCREEN DRIVE	615790	1	1004108	4014486522839
4	ALTERNATOR AND WATERPUMP DRIVE	626654	2	1002963	4014486495324
6	ALTERNATOR DRIVE	626657	1	1002568	4014486495317
6	ROTARY SCREEN DRIVE (SECONDARY)	716254	1	No AP	
11	SHAKER SHOE DRIVE	774747	1	1001633	4014486485783
12	CLEANING FAN - VARIATOR DRIVE (WITHOUT SLOW DOWN)	710752	1	1004167	4014486522778
12	CLEANING FAN - VARIATOR DRIVE (WITHOUT INT.SPEED KIT)	773300	1	1004168	4014486522785
15	AIR CONDITIONING COMPRESSOR DRIVE 48	259346	1	1004159	4014486523379
16	HYDROSTATIC PUMP DRIVE AND MAIN SHAFT	649035	1	1004151	4014486523324
18	STRAW SPREADER DRIVE	618040	1	1004117	4014486522914

TR 96

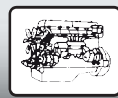
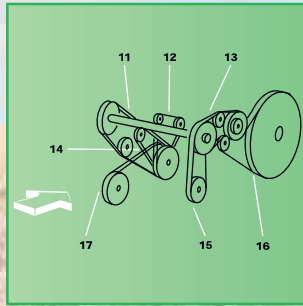
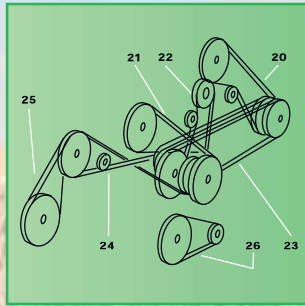
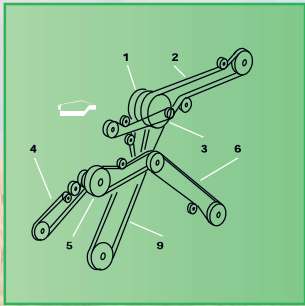
2	FEEDER HOUSE FIXED SPEED	621367	1	1004120	4014486522945
2	FEEDER DRIVE VARIABLE SPEED	849514	1	1004169	4014486522792
2	SMALL GRAIN SPECIAL - 3HB	9613963	1	1004140	4014486523201
3	HYDRAULIC PUMP DRIVE	624650	2	1002841	4014486464078
3	ENGINE FAN DRIVE	768340	2	1004158	4014486554397
3	ENGINE FAN AND HYDRAULIC PUMP	855676	1	1003746	4014486495928
5	ROTARY SCREEN DRIVE (PRIMARY)	615790	1	1004108	4014486522839
5	ROTARY SCREEN DRIVE (PRIMARY)	859063	1	1004164	4014486522983
6	ALTERNATOR DRIVE	626654	2	1002963	4014486495324
6	ALTERNATOR DRIVE	626657	1	1002568	4014486495317
8	ROTARY SCREEN DRIVE (SECONDARY)	716254	1	No AP	
10	CLEAN GRAIN ELEVATOR DRIVE IMPROVED	9604713	1	1004126	4014486523089
11	HEADER DRIVE	682008	1	1004122	4014486522969
12	SHAKER SHOE DRIVE	774747	1	1001633	4014486485783
14	HYDROSTATIC - MAIN SHAFT DRIVE	649035	1	1004151	4014486523324
14	HYDROSTATIC - MAIN SHAFT DRIVE	797979	1	1004152	4014486523331
15	AIR CONDITIONING COMPRESSOR DRIVE	259346	1	1004159	4014486523379
15	AIR CONDITIONING COMPRESSOR DRIVE	626657	1	1002568	4014486495317
16	STRAW SPREADER DRIVE	618040	1	1004117	4014486522914

TR 97

1	ENGINE FAN HYDRAULIC PUMP	855676	1	1003746	4014486495928
6	CLEAN GRAIN ELEVATOR DRIVE IMPROVED	9604713	1	1004126	4014486523089
7	HEADER DRIVE	682008	1	1004122	4014486522969
8	HYDRAULIC REEL PUMP DRIVE	9609607	1	1000230	4014486463187
9	ROTARY SCREEN DRIVE (PRIMARY)	859063	1	1004164	4014486522983
10	SHAKER SHOE DRIVE	774747	1	1001633	4014486485783
13	FEEDER HOUSE FIXED SPEED	621367	1	1004120	4014486522945
15	HYDROSTATIC - MAIN SHAFT DRIVE	797979	1	1004152	4014486523331
16	AIR CONDITIONING COMPRESSOR DRIVE	626657	1	1002568	4014486495317
17	STRAW SPREADER DRIVE	618040	1	1004117	4014486522914

TR 98

1	HYDRAULIC PUMP DRIVE	773255	1	1002582	4014486495638
4	ROTOR VARIATOR DRIVE - STANDARD SPEED ROTOR	86518568	1	No AP	
6	CLEAN GRAIN ELEVATOR DRIVE IMPROVED	9604713	1	1004126	4014486523089
7	HEADER DRIVE	86503087	1	1004123	4014486522976
8	HYDRAULIC REEL PUMP DRIVE	9609607	1	1000230	4014486463187
9	ROTARY SCREEN DRIVE (PRIMARY)	859063	1	1004164	4014486522983

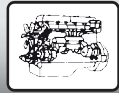
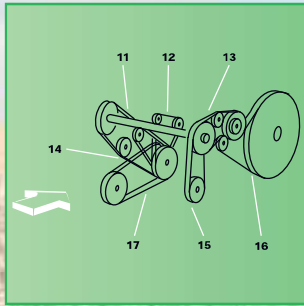
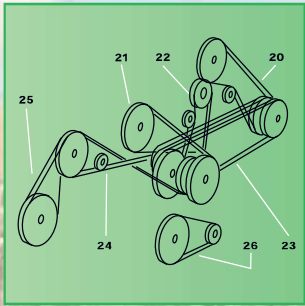
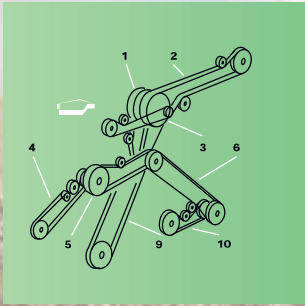


NEW HOLLAND

10	SHAKER SHOE DRIVE	774747	1	1001633	4014486485783
13	FEEDER HOUSE FIXED SPEED	9613963	1	1004140	4014486523201
16	AIR CONDITIONING COMPRESSOR DRIVE	577240	1	1002565	4014486495225
17	STRAW SPREADER DRIVE	618040	1	1004117	4014486522914
20	UNLOADING AUGER DRIVE	86514256	1	1004119	4014486522938

TX 30

1	BEATER TO INTERMEDIATE DRIVE	80455865	1	1001954	4014486490596
2	HYDROSTATIC DRIVE - ENGINE TO BEATER SHAFT	80922872	1	1003667	4014486491302
2	ENGINE TO BEATER SHAFT - MECHANICAL DRIVE	80922911	1	1002004	4014486491319
3	UNLOADING AUGER ENGAGING	89512971	1	1003801	4014486518634
4	STRAW ELEVATOR DRIVE	80433746	2	1000405	4014486466683
5	BEATER TO STRAW ELEVATOR	80350236	1	1003640	4014486489002
6	CLEANING SHOE DRIVE	80448794	1	1000756	4014486471571
9	GROUND SPEED VARIATOR DRIVE	80440780	1	No AP	
11	COOLING FAN DRIVE - INTERMEDIATE SHAFT	80913151	1	1003429	4014486464221
12	WATERPUMP DRIVE	80443634	1	1002543	4014486494723
13	ROTARY DUST SCREEN DRIVE	80913153	1	1000081	4014486484021
16	DUST SCREEN DRIVE	80923019	1	1000166	4014486461916
20	BEATER DRIVE	89513984	1	1000631	4014486469837
21	ROTARY SEPARATOR DRIVE	80754285	1	1000594	4014486469233
22	STORAGE DRIVE GRAIN	80433639	1	1000237	4014486463408
23	DRUM SHAFT TO INTERMEDIATE SHAFT	80434160	1	No AP	
24	STRAW WALKER - INTERMEDIATE SHAFT DRIVE	80754389	1	1003339	4014486465426
25	STRAW WALKER DRIVE	80754388	1	1003341	4014486462999
26	CLEANING FAN - VARIATOR DRIVE	89502654	1	1001135	4014486497199



NEW HOLLAND

TX 32

1	BEATER TO INTERMEDIATE DRIVE	80455865	1	1001954	4014486490596
2	HYDROSTATIC DRIVE - ENGINE TO BEATER SHAFT	80922872	1	1003667	4014486491302
2	ENGINE TO BEATER SHAFT - MECHANICAL DRIVE	80922911	1	1002004	4014486491319
3	UNLOADING AUGER ENGAGING	89512971	1	1003801	4014486518634
4	STRAW ELEVATOR SIDE	80433746	2	1000405	4014486466683
6	CLEANING SHOE DRIVE - FIXED SHOE	80446780	1	1000750	4014486471472
26	CLEANING FAN - CODE 111 / FIXED SHOE	80919739	1	1001136	4014486497205

TX 34

15		80754165	1	1002415	4014486494280
----	--	----------	---	---------	---------------

