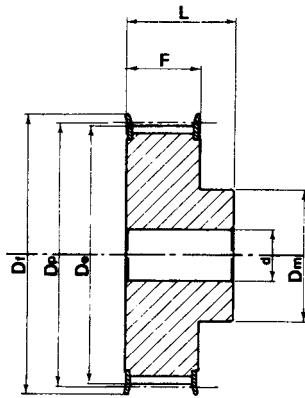
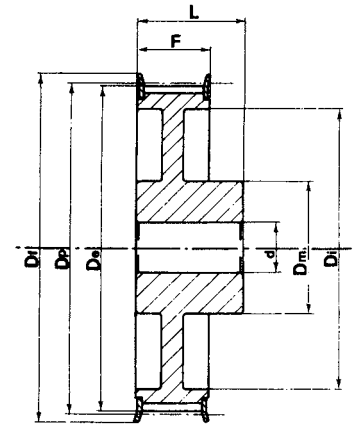


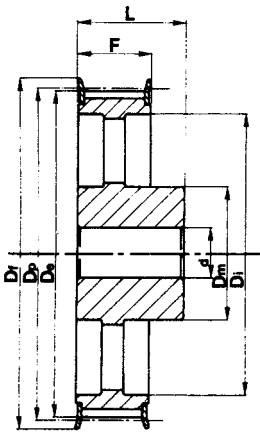
Tipo / Type  
6



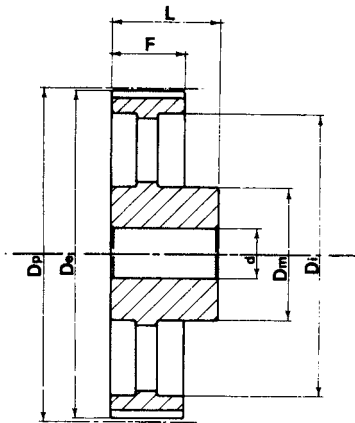
Tipo / Type  
6F



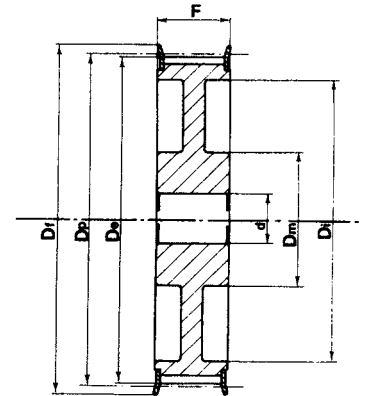
Tipo / Type  
6WF



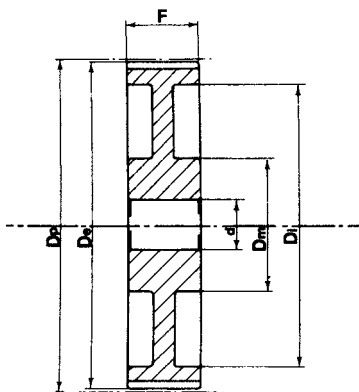
Tipo / Type  
6AF



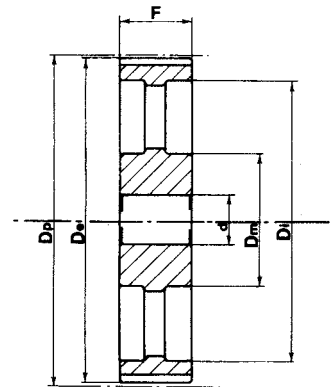
Tipo / Type  
6A



Tipo / Type  
10WF



Tipo / Type  
10W



Tipo / Type  
10A

## HTD® 8M-20

Caratteristiche Features Merkmale Características	Code Code symbol Fabriknummer Code symbole Numero de fabrica	Nostro codice Our code Unser kode Notre code Nuestro codigo	Tipo Type Typ Type Tipo	Codice flangia Flange code Bordscheiben-Code Code flasque Código brida	N. denti N. of teeth Zahnezahl N. bre de dents Cantidad de dientes	Dp	De	Df	Dm	Di	F	L	d	Peso Weight / Gewicht Poids / Peso Kg
Acciaio / Steel / Stahl Acier / Acero	22 8M 20	08M2022	6F	FL053	22	56,02	54,65	60,0	43,0	-	28	38	12	0,54
	24 8M 20	08M2024	6F	FL069	24	61,12	59,75	66,0	45,0	-	28	38	12	0,65
	26 8M 20	08M2026	6F	FL061	26	66,21	64,84	70,0	48,0	-	28	38	12	0,80
	28 8M 20	08M2028	6F	FL079	28	71,30	69,93	75,0	50,0	-	28	38	15	0,87
	30 8M 20	08M2030	6F	FL073	30	76,39	75,02	83,0	55,0	-	28	38	15	1,02
	32 8M 20	08M2032	6F	FL076	32	81,49	80,16	87,0	60,0	-	28	38	15	1,20
	34 8M 20	08M2034	6F	FL066	34	86,58	85,22	91,0	70,0	-	28	38	15	1,40
	36 8M 20	08M2036	6F	FL068	36	91,67	90,30	97,0	75,0	-	28	38	15	1,55
	38 8M 20	08M2038	6F	FL070	38	96,77	95,39	102,0	75,0	-	28	38	15	1,65
	40 8M 20	08M2040	6F	FL077	40	101,86	100,49	106,0	75,0	-	28	38	15	1,74
	44 8M 20	08M2044	6F	FL075	44	112,05	110,67	120,0	75,0	-	28	38	15	2,10
	48 8M 20	08M2048	6F	FL078	48	122,23	120,86	128,0	75,0	-	28	38	15	2,44
	56 8M 20	08M2056	6WF	FL085	56	142,60	141,23	150,0	80,0	116	28	38	15	2,60
	64 8M 20	08M2064	6WF	FL090	64	162,97	161,60	168,0	80,0	137	28	38	15	2,90
72 8M 20	08M2072	6WF	FL097	72	183,35	181,97	192,0	80,0	158	28	38	15	3,10	
Ghisa / Cast iron Grauguss / Fonte Hierro fundido	80 8M 20	08M2080	6W	-	80	203,72	202,35	-	90,0	180	28	38	15	3,80
	90 8M 20	08M2090	6A	-	90	229,18	227,81	-	90,0	204	28	38	15	4,20
	112 8M 20	08M2011	6A	-	112	285,21	283,83	-	90,0	254	28	38	18	5,20
	144 8M 20	08M2014	6A	-	144	366,69	365,32	-	90,0	336	28	38	20	7,50
	168 8M 20	08M2016	6A	-	168	427,81	426,44	-	100,0	400	28	38	20	10,00
	192 8M 20	08M2019	6A	-	192	488,92	487,55	-	100,0	460	28	38	20	14,40

## HTD® 8M 30

Caratteristiche Features Merkmale Características	Code Code symbol Fabriknummer Code symbole Numero de fabrica	Nostro codice Our code Unser kode Notre code Nuestro codigo	Tipo Type Typ Type Tipo	Codice flangia Flange code Bordscheiben-Code Code flasque Código brida	N. denti N. of teeth Zahnezahl N. bre de dents Cantidad de dientes	Dp	De	Df	Dm	Di	F	L	d	Peso Weight / Gewicht Poids / Peso Kg
Acciaio / Steel / Stahl Acier / Acero	22 8M 30	08M3022	6F	FL053	22	56,02	54,65	60,0	43,0	-	38	48	12	0,69
	24 8M 30	08M3024	6F	FL069	24	61,12	59,75	66,0	45,0	-	38	48	12	0,84
	26 8M 30	08M3026	6F	FL061	26	66,21	64,84	70,0	48,0	-	38	48	12	1,00
	28 8M 30	08M3028	6F	FL079	28	71,30	69,93	75,0	50,0	-	38	48	15	1,12
	30 8M 30	08M3030	6F	FL073	30	76,39	75,02	83,0	55,0	-	38	48	15	1,32
	32 8M 30	08M3032	6F	FL076	32	81,49	80,16	87,0	60,0	-	38	48	15	1,53
	34 8M 30	08M3034	6F	FL066	34	86,58	85,22	91,0	70,0	-	38	48	15	1,80
	36 8M 30	08M3036	6F	FL068	36	91,67	90,30	97,0	75,0	-	38	48	15	1,99
	38 8M 30	08M3038	6F	FL070	38	96,77	95,39	102,0	75,0	-	38	48	15	2,27
	40 8M 30	08M3040	6F	FL077	40	101,86	100,49	106,0	75,0	-	38	48	15	2,40
	44 8M 30	08M3044	6F	FL075	44	112,05	110,67	120,0	75,0	-	38	48	15	2,80
	48 8M 30	08M3048	6F	FL078	48	122,23	120,86	128,0	75,0	-	38	48	15	3,20
	56 8M 30	08M3056	6WF	FL085	56	142,60	141,23	150,0	90,0	116	38	48	15	3,60
	64 8M 30	08M3064	6WF	FL090	64	162,97	161,60	168,0	90,0	137	38	48	15	4,30
72 8M 30	08M3072	6WF	FL097	72	183,35	181,97	192,0	95,0	158	38	48	15	4,80	
Ghisa / Cast iron Grauguss / Fonte Hierro fundido	80 8M 30	08M3080	6W	-	80	203,72	202,35	-	100,0	180	38	48	15	5,10
	90 8M 30	08M3090	6A	-	90	229,18	227,81	-	100,0	204	38	48	15	5,70
	112 8M 30	08M3011	6A	-	112	285,21	283,83	-	100,0	254	38	48	18	6,80
	144 8M 30	08M3014	6A	-	144	366,69	365,32	-	100,0	336	38	48	20	9,30
	168 8M 30	08M3016	6A	-	168	427,81	426,44	-	100,0	400	38	48	20	11,40
	192 8M 30	08M3019	6A	-	192	488,92	487,55	-	100,0	460	38	48	20	16,00

### HTD® 8M-50

Caratteristiche Features Merkmale Características	Codice Code symbol Fabriknummer Code symbole Numero de fabrica	Nostro codice Our code Unser kode Notre code Nuestro codigo	Tipo Type Typ Type Tipo	Codice flangia Flange code Bordscheiben-Code Code flasque Código brida	N. denti N. of teeth Zahnezahl N. bre de dents Cantidad de dientes	Dp	De	Df	Dm	Di	F	L	d	Peso Weight / Gewicht Poids / Peso Kg
Acciaio / Steel / Stahl Acier / Acero	<b>22 8M 50</b>	<b>08M5022</b>	6F	FL053	22	56,02	54,65	60,0	43,0	-	60	70	12	1,00
	<b>24 8M 50</b>	<b>08M5024</b>	6F	FL069	24	61,12	59,75	66,0	45,0	-	60	70	12	1,23
	<b>26 8M 50</b>	<b>08M5026</b>	6F	FL061	26	66,21	64,84	70,0	48,0	-	60	70	15	1,50
	<b>28 8M 50</b>	<b>08M5028</b>	6F	FL079	28	71,30	69,93	75,0	50,0	-	60	70	15	1,67
	<b>30 8M 50</b>	<b>08M5030</b>	6F	FL073	30	76,39	75,02	83,0	55,0	-	60	70	15	1,97
	<b>32 8M 50</b>	<b>08M5032</b>	6F	FL076	32	81,49	80,16	87,0	60,0	-	60	70	15	2,27
	<b>34 8M 50</b>	<b>08M5034</b>	6F	FL066	34	86,58	85,22	91,0	70,0	-	60	70	15	2,69
	<b>36 8M 50</b>	<b>08M5036</b>	6F	FL068	36	91,67	90,30	97,0	75,0	-	60	70	15	2,97
	<b>38 8M 50</b>	<b>08M5038</b>	6F	FL070	38	96,77	95,39	102,0	75,0	-	60	70	15	3,23
	<b>40 8M 50</b>	<b>08M5040</b>	6F	FL077	40	101,86	100,49	106,0	75,0	-	60	70	18	3,50
	<b>44 8M 50</b>	<b>08M5044</b>	6F	FL075	44	112,05	110,67	120,0	75,0	-	60	70	18	3,90
	<b>48 8M 50</b>	<b>08M5048</b>	6F	FL078	48	122,23	120,86	128,0	75,0	-	60	70	18	4,30
	<b>56 8M 50</b>	<b>08M5056</b>	10WF	FL085	56	142,60	141,23	150,0	80,0	116	60	60	18	5,00
	<b>64 8M 50</b>	<b>08M5064</b>	10WF	FL090	64	162,97	161,60	168,0	80,0	137	60	60	18	5,60
<b>72 8M 50</b>	<b>08M5072</b>	10WF	FL097	72	183,35	181,97	192,0	80,0	158	60	60	18	6,80	
Ghisa / Cast iron Grauguss / Fonte Hierro fundido	<b>80 8M 50</b>	<b>08M5080</b>	10W	-	80	203,72	202,35	-	110,0	180	60	60	18	6,90
	<b>90 8M 50</b>	<b>08M5090</b>	10A	-	90	229,18	227,81	-	110,0	204	60	60	18	8,60
	<b>112 8M 50</b>	<b>08M5011</b>	10A	-	112	285,21	283,83	-	110,0	254	60	60	18	9,60
	<b>144 8M 50</b>	<b>08M5014</b>	10A	-	144	366,69	365,32	-	110,0	336	60	60	20	13,80
	<b>168 8M 50</b>	<b>08M5016</b>	10A	-	168	427,81	426,44	-	120,0	400	60	60	20	16,00
	<b>192 8M 50</b>	<b>08M5019</b>	10A	-	192	488,92	487,55	-	130,0	460	60	60	20	22,40

### HTD® 8M-85

Caratteristiche Features Merkmale Características	Codice Code symbol Fabriknummer Code symbole Numero de fabrica	Nostro codice Our code Unser kode Notre code Nuestro codigo	Tipo Type Typ Type Tipo	Codice flangia Flange code Bordscheiben-Code Code flasque Código brida	N. denti N. of teeth Zahnezahl N. bre de dents Cantidad de dientes	Dp	De	Df	Dm	Di	F	L	d	Peso Weight / Gewicht Poids / Peso Kg
Acciaio / Steel / Stahl Acier / Acero	<b>22 8M 85</b>	<b>08M8522</b>	6F	FL053	22	56,02	54,65	60,0	43,0	-	95	105	12	1,55
	<b>24 8M 85</b>	<b>08M8524</b>	6F	FL069	24	61,12	59,75	66,0	45,0	-	95	105	12	1,90
	<b>26 8M 85</b>	<b>08M8526</b>	6F	FL061	26	66,21	64,84	70,0	48,0	-	95	105	12	2,25
	<b>28 8M 85</b>	<b>08M8528</b>	6F	FL079	28	71,30	69,93	75,0	50,0	-	95	105	15	2,55
	<b>30 8M 85</b>	<b>08M8530</b>	6F	FL073	30	76,39	75,02	83,0	55,0	-	95	105	15	3,00
	<b>32 8M 85</b>	<b>08M8532</b>	6F	FL076	32	81,49	80,16	87,0	60,0	-	95	105	15	3,57
	<b>34 8M 85</b>	<b>08M8534</b>	6F	FL066	34	86,58	85,22	91,0	66,0	-	95	105	15	4,00
	<b>36 8M 85</b>	<b>08M8536</b>	6F	FL068	36	91,67	90,30	97,0	70,0	-	95	105	15	4,50
	<b>38 8M 85</b>	<b>08M8538</b>	6F	FL070	38	96,77	95,39	102,0	75,0	-	95	105	15	5,00
	<b>40 8M 85</b>	<b>08M8540</b>	6F	FL077	40	101,86	100,49	106,0	75,0	-	95	105	18	5,20
	<b>44 8M 85</b>	<b>08M8544</b>	6F	FL075	44	112,05	110,67	120,0	75,0	-	95	105	18	6,60
	<b>48 8M 85</b>	<b>08M8548</b>	6F	FL078	48	122,23	120,86	128,0	80,0	-	95	105	18	7,00
	<b>56 8M 85</b>	<b>08M8556</b>	6F	FL085	56	142,60	141,23	150,0	90,0	-	95	105	18	10,00
	<b>64 8M 85</b>	<b>08M8564</b>	10WF	FL090	64	162,97	161,60	168,0	100,0	137	95	95	20	10,40
<b>72 8M 85</b>	<b>08M8572</b>	10WF	FL097	72	183,35	181,97	192,0	100,0	158	95	95	20	11,40	
Ghisa / Cast iron Grauguss / Fonte Hierro fundido	<b>80 8M 85</b>	<b>08M8580</b>	10W	-	80	203,72	202,35	-	110,0	180	95	95	20	11,10
	<b>90 8M 85</b>	<b>08M8590</b>	10A	-	90	229,18	227,81	-	110,0	204	95	95	20	12,20
	<b>112 8M 85</b>	<b>08M8511</b>	10A	-	112	285,21	283,83	-	110,0	254	95	95	24	15,00
	<b>144 8M 85</b>	<b>08M8514</b>	10A	-	144	366,69	365,32	-	110,0	336	95	95	24	21,50
	<b>168 8M 85</b>	<b>08M8516</b>	10A	-	168	427,81	426,44	-	120,0	400	95	95	24	24,10
	<b>192 8M 85</b>	<b>08M8519</b>	10A	-	192	488,92	487,55	-	130,0	460	95	95	24	30,60