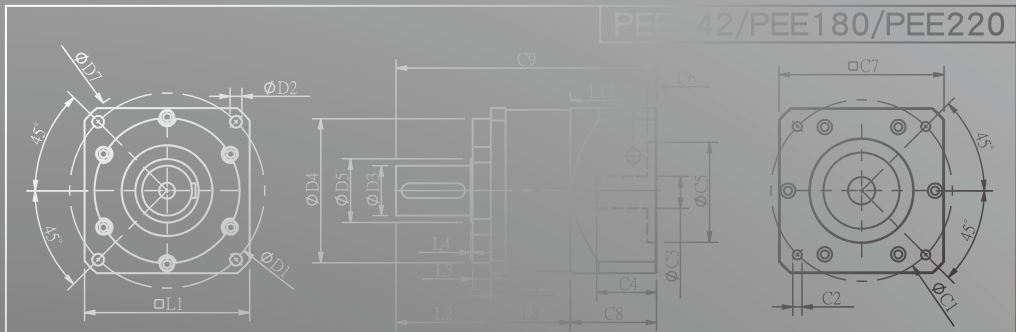
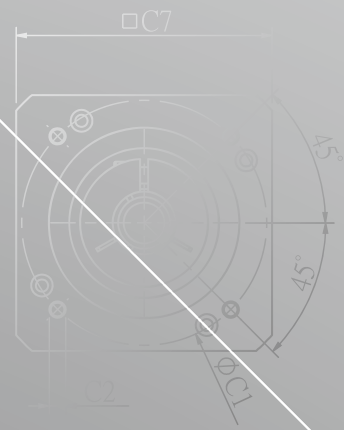
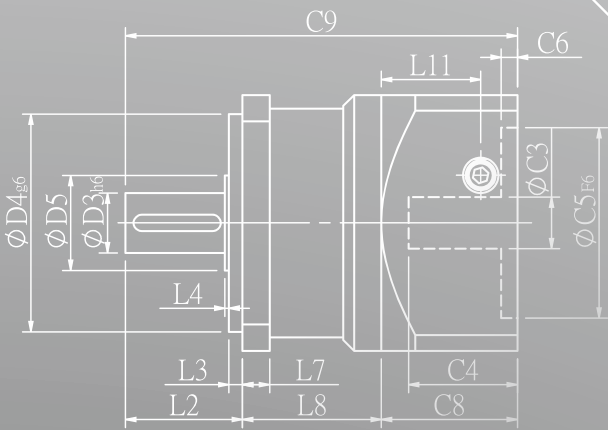
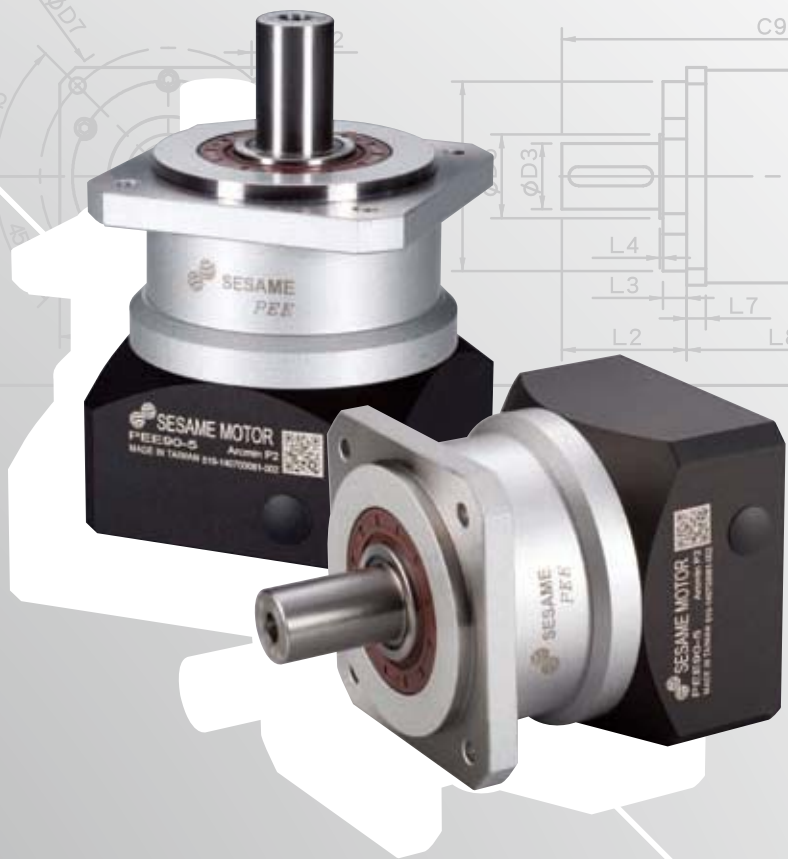
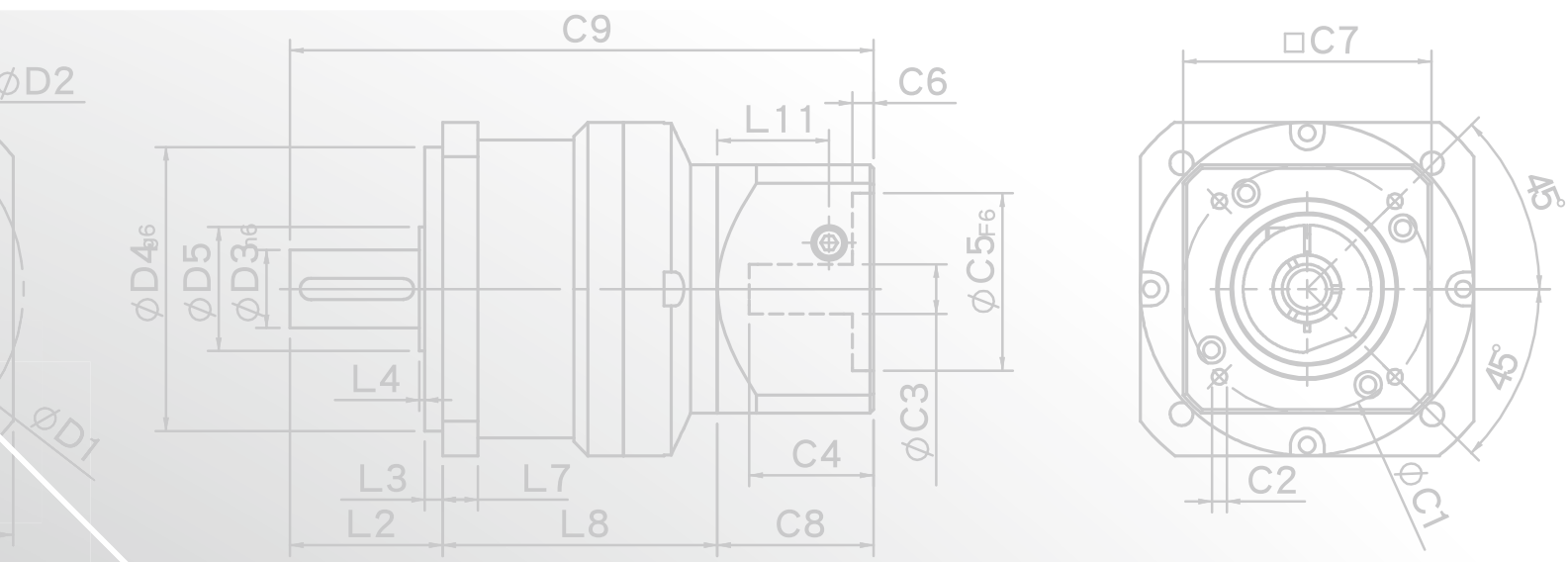
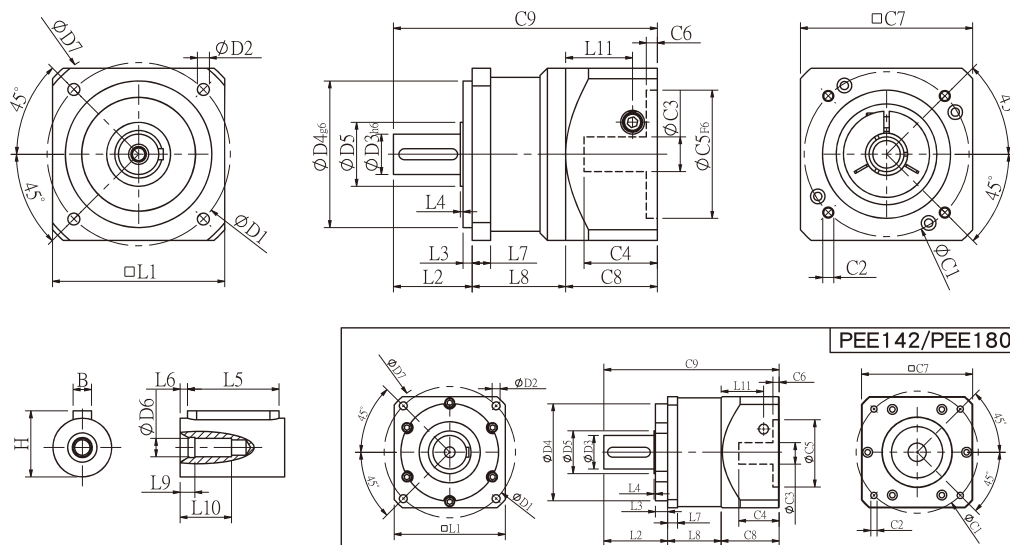


# PEE SERIES





## PEE Single Stage Dimensions PEE單段外型尺寸圖



## Specifications 規格

Unit:mm

尺寸 Dimensions	PEE50	PEE70	PEE90	PEE120	PEE142	PEE180
D1	50	70	100	130	165	215
D2	3.4	6	6.5	8.5	10.5	13
D3 <sub>h6</sub>	13	16	22	32	40	55
D4 <sub>g6</sub>	35	50	80	110	130	160
D5	15	25	35	45	50	70
D6	M4x0.7P	M5x0.8P	M8x1.25P	M12x1.75P	M16x2.0P	M20x2.5P
D7	64	90	120	152	186	239
L1	50	70	94	120	142	182
L2	24.5	37	43	60	93	104.5
L3	4	7	5	6	8	20
L4	1.5	1.5	1.5	3	6	2.5
L5	15	25	32	40	60	70
L6	2	2	3	5	5	6
L7	5	6	10	12	18	16
L8	30	36	51	61	79	87.5
L9	4	4	4.5	6	6	8
L10	14	16.5	20.5	30	38	48
L11	24.4	31.5	36.5	42	63	69.5
C1 <sup>2</sup>	46	70	90	115	145	200
C2 <sup>2</sup>	M4x0.7P	M5x0.8P	M6x1.0P	M8x1.25P	M8x1.25P	M12x1.75P
C3 <sup>2</sup>	≤8	≤14	≤19/≤24	≤24/≤28	≤35	≤50
C4 <sup>2</sup>	27	35	43	58	66	82
C5 <sup>2</sup> <sub>F6</sub>	30	50	70	95	110	114.3
C6 <sup>2</sup>	4	5	5	8	6	13
C7 <sup>2</sup>	50	70	94	120	140	182
C8 <sup>2</sup>	34	44	50	63	80	95
C9 <sup>2</sup>	88.5	117	144	184	252	287
B	5	5	6	10	12	16
H	15	18	24.5	35	43	59

★ C1~C9是公製標準馬達連接板尺寸,請依所選用的馬達決定。

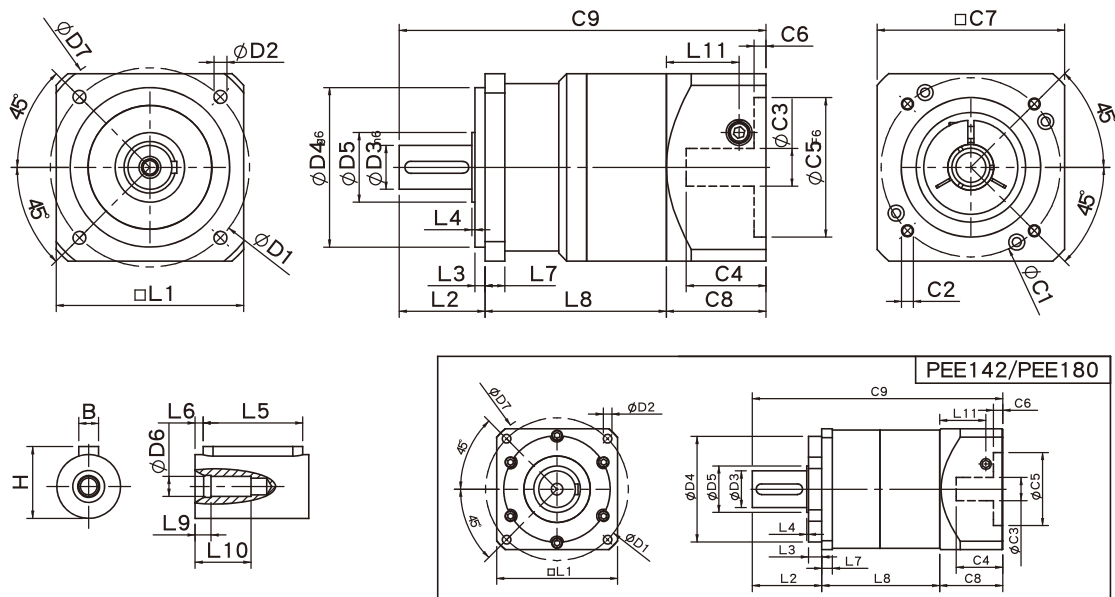
★ 本公司有權針對以上數據規格進行設計變更不先行告知。

★ C1~C9 are motor specific dimensions(metric std shown ), Size may vary according to the motor flange chosen.

★ Specification subject to change without notice.

PHL Series  
 PIR Series  
 PHF Series  
 PGH Series  
 PUR Series  
 PUL Series  
 PGLH Series  
 PGL Series  
 PGC Series  
 PGE Series  
 PGRH Series  
 PGR Series  
 PGRF Series  
 PGF Series  
 PEL Series  
 PEC Series  
 PEE Series  
 PBC Series  
 PBE Series  
 PAE Series

## PEE Double Stage Dimensions-1 PEE雙段外型尺寸圖-1

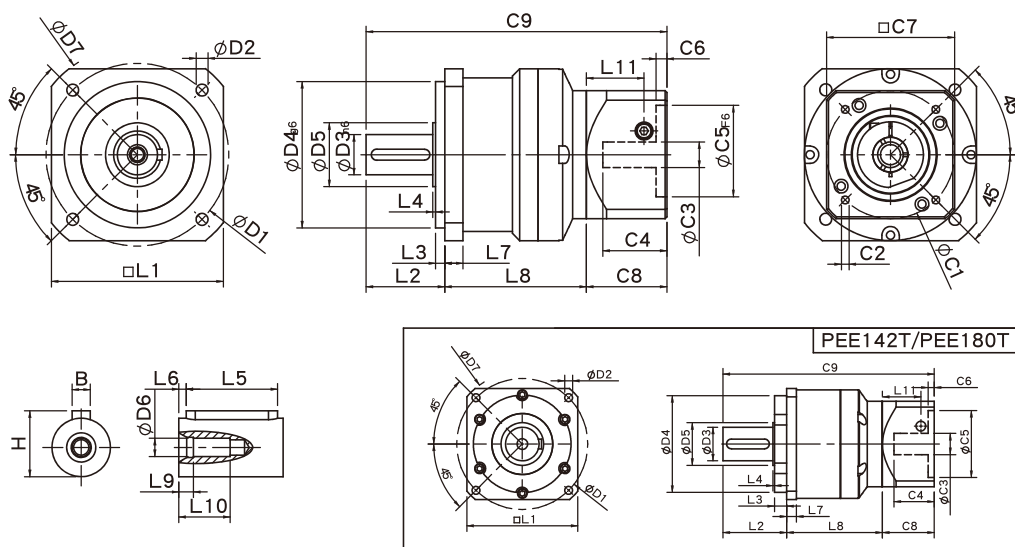


## Specifications 規格 Unit:mm

尺寸 Dimensions	PEE50	PEE70	PEE90	PEE120	PEE142	PEE180
D1	50	70	100	130	165	215
D2	3.4	6	6.5	8.5	10.5	13
D3 <sub>h6</sub>	13	16	22	32	40	55
D4 <sub>g6</sub>	35	50	80	110	130	160
D5	15	25	35	45	50	70
D6	M4x0.7P	M5x0.8P	M8x1.25P	M12x1.75P	M16x2.0P	M20x2.5P
D7	64	90	120	152	186	239
L1	50	70	94	120	142	182
L2	24.5	37	43	60	93	104.5
L3	4	7	5	6	8	20
L4	1.5	1.5	1.5	3	6	2.5
L5	15	25	32	40	60	70
L6	2	2	3	5	5	6
L7	5	6	10	12	18	16
L8	56	64	91	109	140	177.5
L9	4	4	4.5	6	6	8
L10	14	16.5	20.5	30	38	48
L11	24.4	31.5	36.5	42	63	69.5
C1 <sup>2</sup>	46	70	90	115	145	200
C2 <sup>2</sup>	M4x0.7P	M5x0.8P	M6x1.0P	M8x1.25P	M8x1.25P	M12x1.75P
C3 <sup>2</sup>	≤8	≤14	≤19/≤24	≤24/≤28	≤35	≤50
C4 <sup>2</sup>	27	35	43	58	66	82
C5 <sup>2</sup> <sub>F6</sub>	30	50	70	95	110	114.3
C6 <sup>2</sup>	4	5	5	8	6	13
C7 <sup>2</sup>	50	70	94	120	140	182
C8 <sup>2</sup>	34	44	50	63	80	95
C9 <sup>2</sup>	114.5	145	184	232	313	377
B	5	5	6	10	12	16
H	15	18	24.5	35	43	59

★ C1~C9是公製標準馬達連接板尺寸,請依所選用的馬達決定。  
 ★ C1~C9 are motor specific dimensions(metric std shown), Size may vary according to the motor flange chosen.  
 ★ 本公司有權針對以上數據規格進行設計變更不先行告知。  
 ★ Specification subject to change without notice.

## PEE Double Stage Dimensions-2 PEE雙段外型尺寸圖-2



## Specifications 規格

Unit:mm

尺寸 Dimensions	PEE70T	PEE90T	PEE120T	PEE142T	PEE180T
D1	70	100	130	165	215
D2	6	6.5	8.5	10.5	13
D3 <sub>h6</sub>	16	22	32	40	55
D4 <sub>g6</sub>	50	80	110	130	160
D5	25	35	45	50	70
D6	M5x0.8P	M8x1.25P	M12x1.75P	M16x2.0P	M20x2.5P
D7	90	120	152	186	239
L1	70	94	120	142	182
L2	37	43	60	93	104.5
L3	7	5	6	8	20
L4	1.5	1.5	3	6	2.5
L5	25	32	40	60	70
L6	2	3	5	5	6
L7	6	10	12	18	16
L8	58.8	77.5	99.4	127	157
L9	4	4.5	6	6	8
L10	16.5	20.5	30	38	48
L11	29	35.5	40.5	42	63
C1 <sup>2</sup>	46	70	90	115	145
C2 <sup>2</sup>	M4x0.7P	M5x0.8P	M6x1.0P	M8x1.25P	M8x1.25P
C3 <sup>2</sup>	≤8	≤14	≤19/≤24	≤24/≤28	≤35
C4 <sup>2</sup>	28.5	41	47.75	58	66
C5 <sup>2</sup> <sub>F6</sub>	30	50	70	95	110
C6 <sup>2</sup>	5.5	8	6	8	6
C7 <sup>2</sup>	50	70	94	120	140
C8 <sup>2</sup>	40	50	55	63	80
C9 <sup>2</sup>	135.8	170.5	214.4	283	341.5
B	5	6	10	12	16
H	18	24.5	35	43	59

★ C1~C9是公製標準馬達連接板尺寸,請依所選用的馬達決定。

★ 本公司有權針對以上數據規格進行設計變更不先行告知。

★ C1~C9 are motor specific dimensions(metric std shown ), Size may vary according to the motor flange chosen.

★ Specification subject to change without notice.

## PEE Specifications Table PEE性能規格共表

規格 Specifications		節數 Stage	減速比 Ratio	PEE-50	PEE-70	PEE-90	PEE-120	PEE-142	PEE-180		
額定輸出力矩 T <sub>2N</sub> Nominal Output Torque	N • m	1	3	13.8	44.2	95.2	283	482	1151		
			4	11.9	35.9	74.6	249	490	1055		
			5	13.8	43.0	95.2	283	473	1151		
			7	11.9	36.0	85.6	219	400	1055		
			10	10.1	25.0	75.0	210	320	763		
				節數 Stage	減速比 Ratio	PEE-50	PEE-70(T)	PEE-90(T)	PEE-120(T)	PEE-142(T)	PEE-180(T)
				2	15	13.8	44.2	95.2	283	482	1151
					20	11.9	35.9	74.6	249	490	1055
					25	13.8	43.0	95.2	283	473	1151
					30	13.8	43.0	95.2	283	473	1151
					35	13.8	43.0	95.2	283	473	1151
					40	13.8	43.0	95.2	283	473	1151
					50	13.8	43.0	95.2	283	473	1151
					70	11.9	36.0	85.6	219	400	1055
		100	10.1	25.0	75.0	210	320	763			
急停力矩 T <sub>2NOT</sub> Emergency Stop Torque	N • m			3.0 倍額定輸出力矩 ( 3.0 times of Nominal Output Torque) (* 最大輸出力矩 Max. Output Torque T <sub>2B</sub> =60% of Emergency Stop Torque)							
額定輸入轉速 n <sub>1N</sub> Nominal Input Speed	rpm	1,2	3-100	3000	3000	3000	2500	2000	2000		
最大輸入轉速 n <sub>1max</sub> Max. Input Speed	rpm	1,2	3-100	6000	6000	6000	5000	4000	4000		
背隙 Backlash	arcmin	1	3-10	≤ 12	≤ 9	≤ 9	≤ 7	≤ 7	≤ 7		
		2	12-100	≤ 15	≤ 12	≤ 12	≤ 9	≤ 9	≤ 9		
扭轉剛性 Torsional Rigidity	N • m /arcmin	1,2	3-100	1.0	2.8	7.5	15.5	30	57		
容許徑向力 F <sub>2re</sub> <sup>1</sup> Max. Radial Load	N	1,2	3-100	350	960	1630	3380	6150	7260		
容許軸向力 F <sub>2aB</sub> <sup>1</sup> Max. Axial Load	N	1,2	3-100	320	900	1420	2930	5510	5550		
使用溫度 Operating Temp.	°C		3-100	-10 °C ~ +90 °C							
使用壽命 Service Life	hr		3-100	20,000 (10,000/ 連續運轉 Continuous operation)							
效率 Efficiency	%	1	3-10	≥ 95%							
		2	12-100	≥ 90%							
重量 Weight	kg	1	3-10	0.7	1.4	3.0	7.3	15.6	26		
		2	12-100	0.9	2.2/1.7	5.0/3.4	11.5/8.5	20.7/17.2	36/31		
安裝方向 Mounting Position	-	1,2	3-100	任意方向 Any direction							
噪音值 Noise Level <sup>2</sup>	dB(A)/1m	1,2	3-100	≤ 65	≤ 67	≤ 70	≤ 70	≤ 75	≤ 75		
防護等級 Protection Class	-	1,2	3-100	IP65							
潤滑 Lubrication	-	1,2	3-100	尿素基滑脂 Urea derivatives							
減速機轉動慣量 Inertia(J1)											
節數 Stage	減速比 Ratio	單位 unit		PEE-50	PEE-70	PEE-90	PEE-120	PEE-142	PEE-180		
1	3	Kg • cm <sup>2</sup>		0.03	0.20	0.81	2.20	7.89	25.2		
	4		0.03	0.16	0.65	1.80	5.83	19.8			
	5		0.03	0.15	0.62	1.61	5.38	18.3			
	7		0.03	0.14	0.60	1.55	5.22	17.8			
	10		0.03	0.14	0.60	1.53	5.20	17.6			
節數 Stage	減速比 Ratio			PEE-50	PEE-70(T)	PEE-90(T)	PEE-120(T)	PEE-142(T)	PEE-180(T)		
2	15/20/25			0.02	0.15(0.02)	0.62(0.15)	1.61(0.62)	5.38(1.61)	18.3(5.38)		
	30/35/40			0.02	0.14(0.02)	0.60(0.14)	1.55(0.60)	5.22(1.55)	17.8(5.22)		
	50/70/100			0.02	0.14(0.02)	0.60(0.14)	1.53(0.60)	5.20(1.53)	17.6(5.20)		

\* 1. 輸出轉速 100rpm 時,作用於輸出軸中心位置 Applied to the output shaft center @100rpm.

\* 2. 3000rpm 空載重測 Measured at 3000rpm with no load

※本公司有權對以上數據規格進行設計變更不先行告知。 The above figures/specifications are subject to change without prior notice.

Products due to human error, natural disasters or other factors lead to poor or damaged, will not be covered under warranty.  
產品因人為原因或天災等因素導致不良或損壞,不在保固範圍內。

# ***PBC*** SERIES

