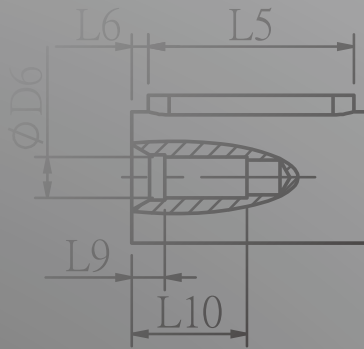
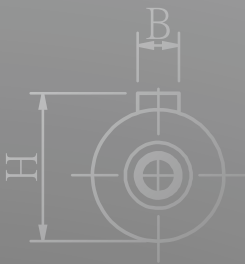
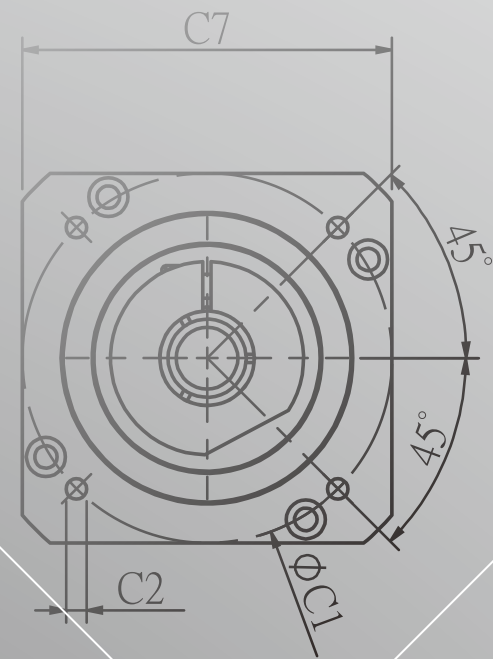
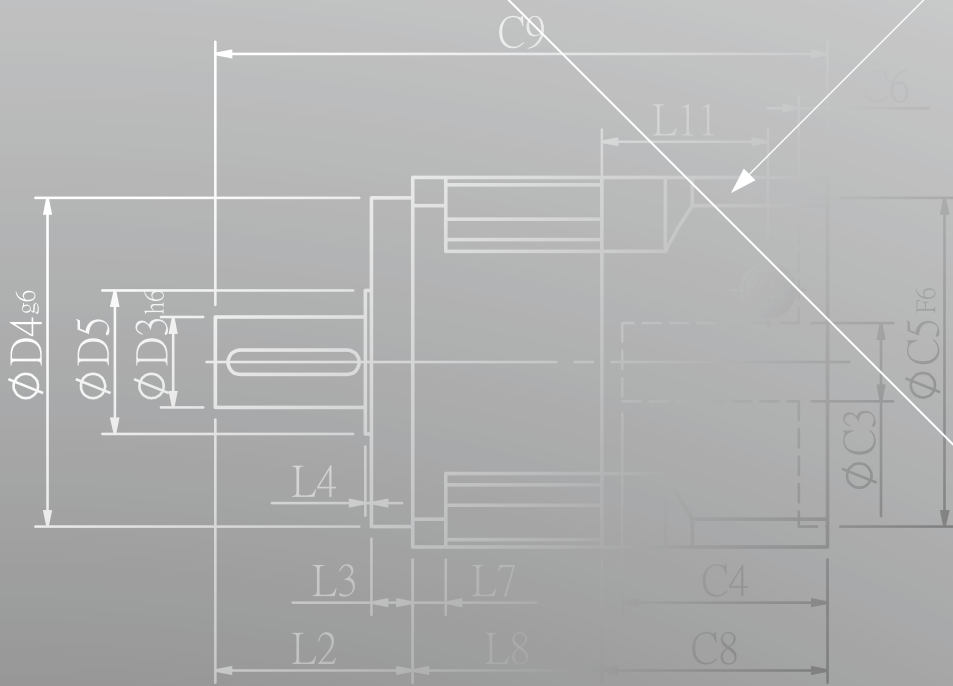
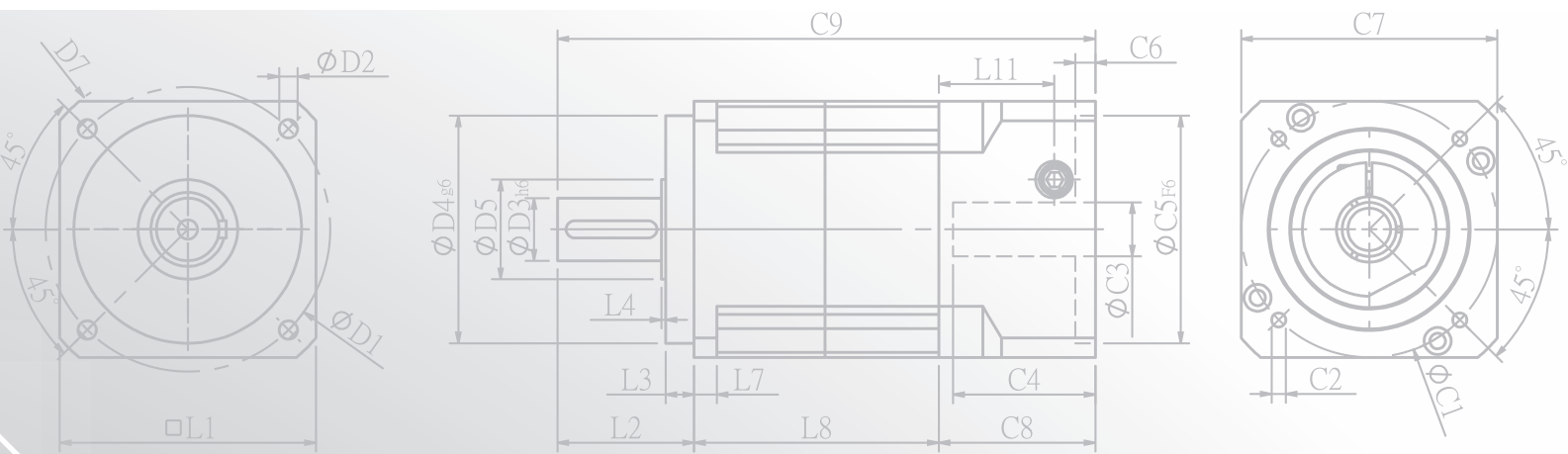
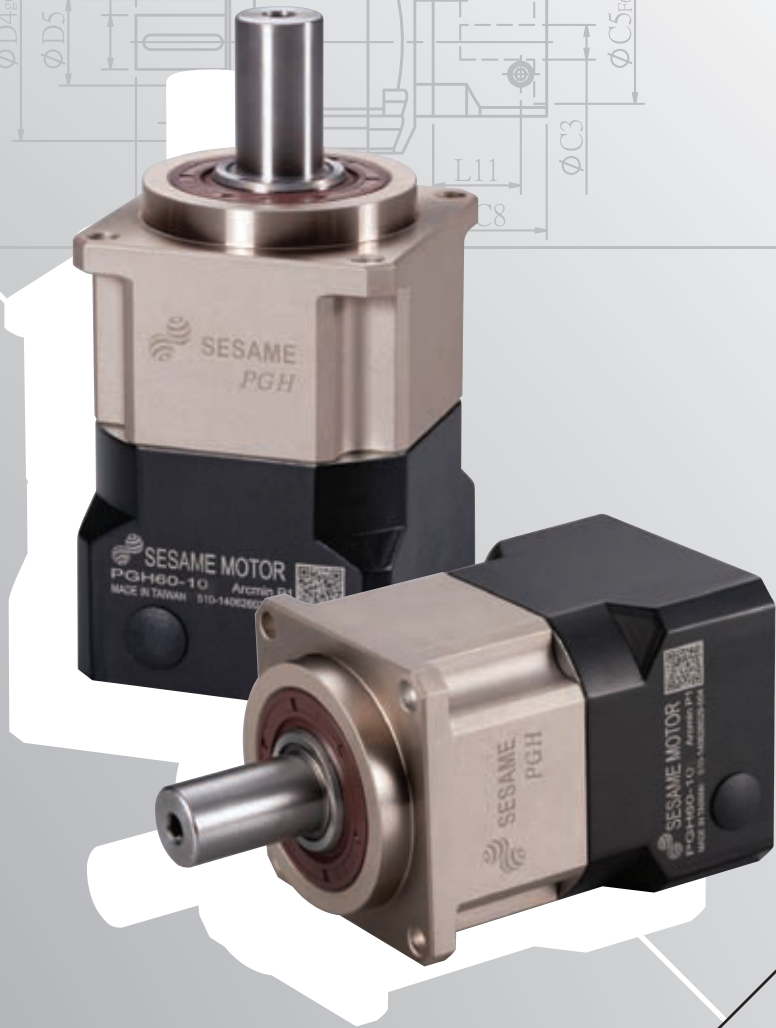
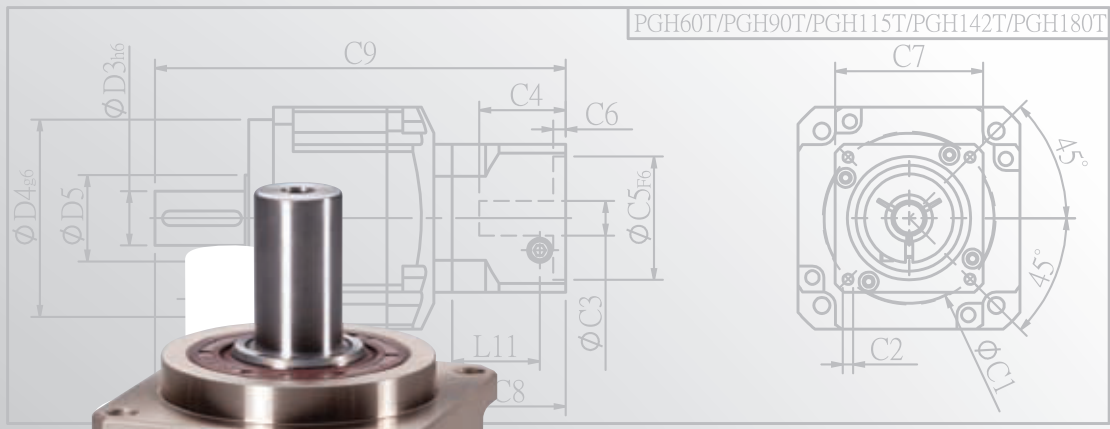


PGH SERIES

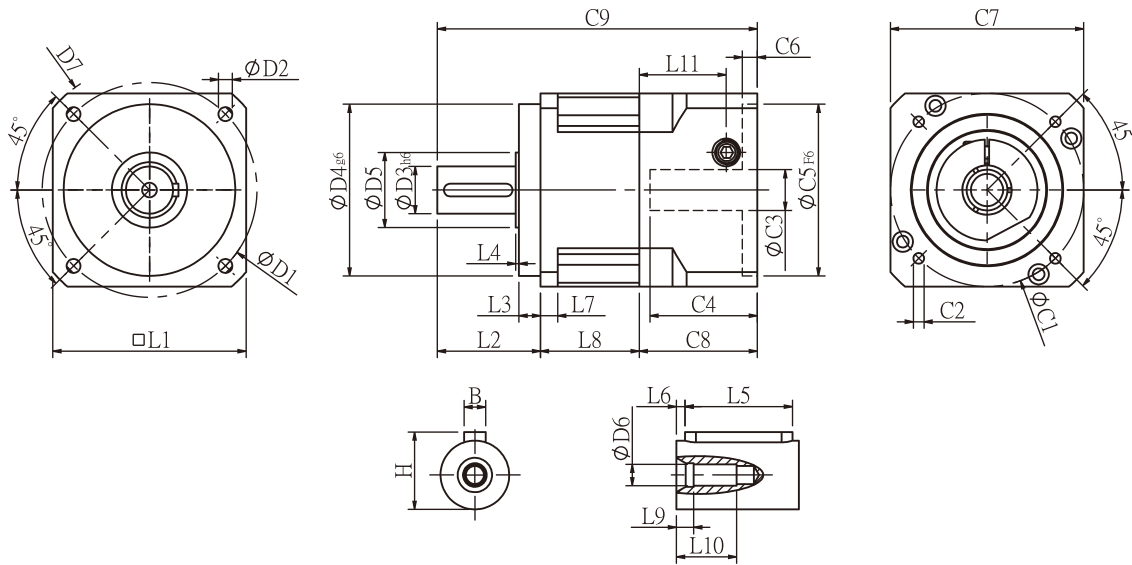




PGH60T/PGH90T/PGH115T/PGH142T/PGH180T



PGH Single Stage Dimensions PGH單段外型尺寸圖



Specifications 規格

Unit:mm

尺寸 Dimensions	PGH42	PGH60	PGH90	PGH115	PGH142	PGH180	PGH220
D1	50	70	100	130	165	215	-
D2	3.4	5.5	6.5	8.5	10.5	13	-
D3 _{h6}	13	16	22	32	40	55	-
D4 _{g6}	35	50	80	110	130	160	-
D5	15	25	35	45	50	70	-
D6	M4x0.7P	M5x0.8P	M8x1.25P	M12x1.75P	M16x2.0P	M20x2.5P	-
D7	56	80	118	148	186	239	-
L1	42.6	60	90	115	142	182	-
L2	26	37	48	63	91.5	100.5	-
L3	5.5	7	10	10	10	16	-
L4	1	1.5	1.5	3.5	2.5	2.5	-
L5	15	25	32	40	60	70	-
L6	2	2	3	5	5	6	-
L7	4	6	8	11	16	18	-
L8	28.3	37	46	57	75.5	94	-
L9	4	4	4.5	6	6	8	-
L10	14	16.5	20.5	30	38	48	-
L11	29	35.5	40.5	42	63	69.5	-
C1 ²	46	70	90	115	145	200	-
C2 ²	M4x0.7P	M5x0.8P	M6x1.0P	M8x1.25P	M8x1.25P	M12x1.75P	-
C3 ²	≤8	≤14	≤19/≤24	≤24/≤32	≤35/≤38	≤50	-
C4 ²	27	37	47	56	66.5	82	-
C5 ² _{F6}	30	50	70	95	110	114.3	-
C6 ²	4	4	6	10	6	13	-
C7 ²	42.6	60	90	115	140	182	-
C8 ²	38.5	46	55	63	80	95	-
C9 ²	92.8	120	149	183	247	289.5	-
B	5	5	6	10	12	16	-
H	15	18	24.5	35	43	59	-

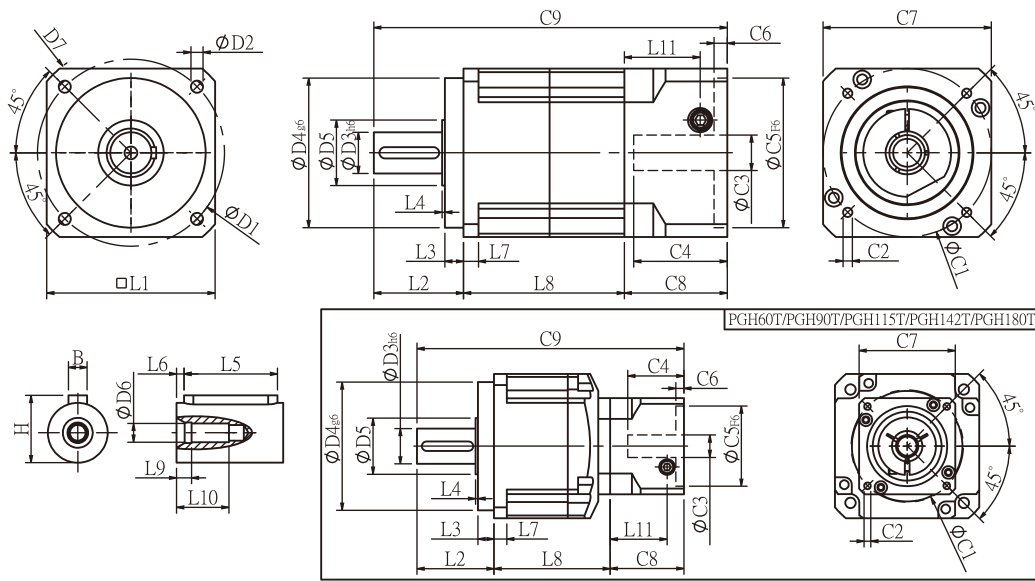
★ C1~C9是公製標準馬達連接板尺寸,請依所選用的馬達決定。

★ 本公司有權針對以上數據規格進行設計變更不先行告知。

★ C1~C9 are motor specific dimensions(metric std shown), Size may vary according to the motor flange chosen.

★ Specification subject to change without notice.

PGH Double Stage Dimensions PGH雙段外型尺寸圖



Specifications 規格

Unit:mm

尺寸 Dimensions	PGH42	PGH60	PGH60T	PGH90	PGH90T	PGH115T	PGH142T	PGH180T	PGH220T
D1	50	70		100		130	165	215	-
D2	3.4	5.5		6.5		8.5	10.5	13	-
D3h6	13	16		22		32	40	55	-
D4g6	35	50		80		110	130	160	-
D5	15	25		35		45	50	70	-
D6	M4x0.7P	M5x0.8P		M8x1.25P		M12x1.75P	M16x2.0P	M20x2.5P	-
D7	56	80		118		148	186	239	-
L1	42.6	60		90		115	142	182	-
L2	26	37		48		63	91.5	100.5	-
L3	5.5	7		10		10	10	16	-
L4	1	1.5		1.5		3.5	2.5	2.5	-
L5	15	25		32		40	60	70	-
L6	2	2		3		5	5	6	-
L7	4	6		8		11	16	18	-
L8	55.3	70	65.5	86	78.5	99.5	127.5	166	-
L9	4	4		4.5		6	6	8	-
L10	14	16.5		20.5		30	38	48	-
L11	29	35.5	29	40.5	35.5	40.5	42	63	-
C1 ²	46	70	46	90	70	90	115	145	-
C2 ²	M4x0.7P	M5x0.8P	M4x0.7P	M6x1.0P	M5x0.8P	M6x1.0P	M8x1.25P	M8x1.25P	-
C3 ²	≤8	≤14	≤8	≤19/≤24	≤14	≤19/≤24	≤24/≤32	≤35/≤38	-
C4 ²	27	37	27	47	37	47	56	66.5	-
C5 ² F6	30	50	30	70	50	70	95	110	-
C6 ²	4	4	4	6	4	6	10	6	-
C7 ²	42.6	60	42.6	90	60	90	115	140	-
C8 ²	38.5	46	38.5	55	46	55	63	80	-
C9 ²	119.8	153	141	189	172.5	217.5	282	346.5	-
B	5	5		6		10	12	16	-
H	15	18		24.5		35	43	59	-

★ C1~C9是公製標準馬達連接板尺寸,請依所選用的馬達決定。

★ 本公司有權針對以上數據規格進行設計變更不先行告知。

★ C1~C9 are motor specific dimensions(metric std shown), Size may vary according to the motor flange chosen.

★ Specification subject to change without notice.

PGH Specifications Table PGH性能規格共表

規格 Specifications		節數 Stage	減速比 Ratio	PGH-42	PGH-60	PGH-90	PGH-115	PGH-142	PGH-180	PGH-220	
額定輸出力矩 T _{2N} Nominal Output Torque	N • m	1	3	19	53	145	290	520	950	1550	
			4	20	55	150	300	550	1000	1650	
			5	17	54	140	290	530	1050	1700	
			6	15	46	135	280	490	1000	1600	
			7	14	44	125	270	450	960	1500	
			8	12	41	110	240	390	900	1350	
			9	11	37	95	220	360	800	1250	
			10	11	37	95	220	360	800	1250	
			2	15	19	53	145	290	520	950	1550
				20	20	55	150	300	550	1000	1650
		25		17	54	140	290	530	1050	1700	
		30		17	54	140	290	530	1050	1700	
		35		17	54	140	290	530	1050	1700	
		40		17	54	140	290	530	1050	1700	
		45		17	54	140	290	530	1050	1700	
		50		17	54	140	290	530	1050	1700	
		60		15	46	135	280	490	1000	1600	
		70		14	44	125	270	450	960	1500	
		80	12	41	110	240	390	900	1350		
		90	11	37	95	220	360	800	1250		
100	11	37	95	220	360	800	1250				
急停力矩 T _{2NOT} Emergency Stop Torque	N • m		3.0 倍額定輸出力矩 (3.0 times of Nominal Output Torque) (* 最大輸出力矩 Max. Output Torque T _{2B} = 60% of Emergency Stop Torque)								
額定輸入轉速 n _{1N} Nominal Input Speed	rpm	1,2	3-100	5000	5000	4000	4000	3000	3000	2000	
最大輸入轉速 n _{1max} Max. Input Speed	rpm	1,2	3-100	10000	10000	8000	8000	6000	6000	4000	
超精密背隙 Micro Backlash P0	arcmin	1	3-10	≤ 2	≤ 2	≤ 2	≤ 1	≤ 1	≤ 1	≤ 1	
		2	12-100	≤ 4	≤ 4	≤ 4	≤ 3	≤ 3	≤ 3	≤ 3	
精密背隙 Precision Backlash P1	arcmin	1	3-10	≤ 4	≤ 4	≤ 4	≤ 3	≤ 3	≤ 3	≤ 3	
		2	12-100	≤ 6	≤ 6	≤ 6	≤ 5	≤ 5	≤ 5	≤ 5	
標準背隙 Standard Backlash P2	arcmin	1	3-10	≤ 6	≤ 6	≤ 6	≤ 5	≤ 5	≤ 5	≤ 5	
		2	12-100	≤ 8	≤ 8	≤ 8	≤ 7	≤ 7	≤ 7	≤ 7	
扭轉剛性 Torsional Rigidity	N • m / arcmin	1,2	3-100	2.5	6	12	23	45	75	130	
容許徑向力 F _{2re} ¹ Max. Radial Load	N	1,2	3-100	760	1570	2780	5340	8400	13000	35000	
容許軸向力 F _{2aB} ¹ Max. Axial Load	N	1,2	3-100	410	750	1870	3310	4670	6460	21400	
使用溫度 Operating Temp.	°C		3-100	-10 °C ~ +90 °C							
使用壽命 Service Life	hr		3-100	20,000 (10,000/ 連續運轉 Continuous operation)							
效率 Efficiency	%	1	3-10	≥ 97%							
		2	12-100	≥ 94%							
重量 Weight	kg	1	3-10	0.6	1.3	3.5	7.8	16.1	27	58	
		2	12-100	0.9	2.0/1.6	5.6/3.9	9.5	19	34	65	
安裝方向 Mounting Position	-	1,2	3-100	任意方向 Any direction							
噪音值 Noise Level ²	dB(A)/1m	1,2	3-100	56	58	60	63	65	67	70	
防護等級 Protection Class	-	1,2	3-100	IP65							
潤滑 Lubrication	-	1,2	3-100	全合成潤滑油 Synthetic Lubricant							
減速機轉動慣量 Inertia(J1)											
節數 Stage	減速比 Ratio	單位 unit		PGH-42	PGH-60	PGH-90	PGH-115	PGH-142	PGH-180	PGH-220	
1	3	Kg • cm ²		0.03	0.23	0.97	2.35	10.00	30.50	79.50	
	4		0.02	0.18	0.67	1.66	7.17	25.86	58.21		
	5		0.02	0.17	0.65	1.50	6.52	23.63	54.36		
	6/7/8		0.02	0.14	0.60	1.45	6.17	22.92	54.12		
	9/10		0.02	0.14	0.58	1.41	6.10	22.73	53.98		
節數 Stage	減速比 Ratio			PGH-42	PGH-60(T)	PGH-90(T)	PGH-115T	PGH-142T	PGH-180T	PGH-220T	
2	15/20/25			0.02	0.17(0.02)	0.65(0.17)	0.65	1.50	6.52	23.63	
	30/35/40			0.02	0.14(0.02)	0.60(0.14)	0.60	1.45	6.17	22.92	
	45/50/60/70/80/90/100			0.02	0.14(0.02)	0.58(0.14)	0.58	1.41	6.10	22.73	

* 1. 輸出轉速 100rpm 時,作用於輸出軸中心位置 Applied to the output shaft center @100rpm.

* 2. 3000rpm 空載重測 Measured at 3000rpm with no load

※本公司有權對以上數據規格逕行設計變更不先行告知。 The above figures/specifications are subject to change without prior notice.

Products due to human error, natural disasters or other factors lead to poor or damaged, will not be covered under warranty.

產品因人為原因或天災等因素導致不良或損壞,不在保固範圍內。

PLANETARY GEARHEADS



- PHL Series
- PHFR Series
- PHF Series
- PGH Series
- PUR Series
- PUL Series
- PGLH Series
- PGL Series
- PGC Series
- PGE Series
- PGRH Series
- PGR Series
- PGFR Series
- PGF Series
- PEL Series
- PEC Series
- PEE Series
- PBC Series
- PBE Series
- PAE Series