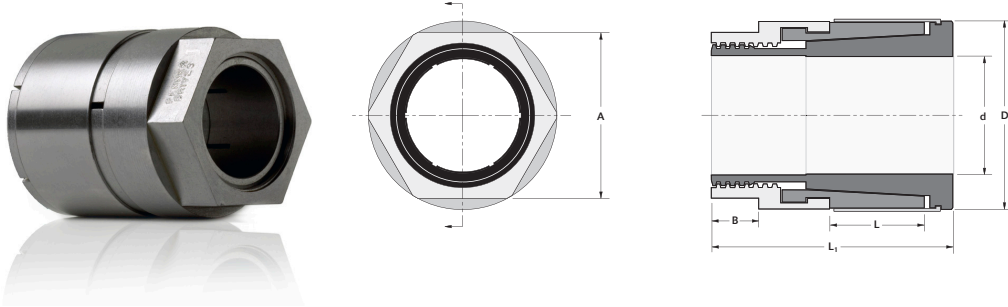


Trantorque® NT Inch



TOLERANCE (T_L)

T_L for shaft and bore is .0015" for Part Numbers 6980103UP – 6980119UP

T_L for shaft and bore is .003" for all other Trantorque NT

Trantorque NT – Inch

Part Number	Steel	d (inch)	D (inch)	L (inch)	L ₁ (inch)	Wrench Size A (inch)	B (inch)	Ma	M _t	Th	P _H *
								Install Torque (in lb)	Maximum Transmitted		Hub Pressure (psi)
								Torque (ft lb)	Thrust (lbs)		
6980103UP		3/16	5/8	3/8	1 1/16	1/2	1/8	125	7	876	9918
6980105UP		1/4	5/8	3/8	1 1/16	1/2	1/8	125	9	876	9918
6980107UP		5/16	3/4	7/16	1 3/16	5/8	1/8	150	11	845	6833
6980109UP		3/8	3/4	7/16	1 3/16	5/8	1/8	150	13	845	6833
6980110UP		7/16	7/8	1/2	1 5/16	3/4	3/16	175	15	824	4995
6980112UP		1/2	7/8	1/2	1 5/16	3/4	3/16	175	17	824	4995
6980114UP		9/16	1	5/8	1 7/16	7/8	3/16	200	19	811	3440
6980115UP		5/8	1	5/8	1 7/16	7/8	3/16	200	21	811	3440
6980119UP		3/4	1 1/4	3/4	1 11/16	1 1/16	1/4	700	73	2326	6581
6980120UP		5/8	1 1/2	11/16	1 13/16	1 1/4	5/16	1200	91	3484	8960
6980140UP		11/16	1 1/2	11/16	1 13/16	1 1/4	5/16	1200	100	3484	8960
6980160UP		3/4	1 1/2	11/16	1 13/16	1 1/4	5/16	1200	109	3484	8960
6980190UP		13/16	1 3/4	13/16	2 3/16	1 1/2	7/16	1500	122	3594	6704
6980200UP		7/8	1 3/4	13/16	2 3/16	1 1/2	7/16	1500	131	3594	6704
6980220UP		15/16	1 3/4	13/16	2 3/16	1 1/2	7/16	1500	140	3594	6704
6980240UP		1	1 3/4	13/16	2 3/16	1 1/2	7/16	1500	150	3594	6704
6980270UP		1 1/16	2	15/16	2 9/16	1 3/4	1/2	2000	183	4137	5853
6980280UP		1 1/8	2	15/16	2 9/16	1 3/4	1/2	2000	194	4137	5853
6980300UP		1 3/16	2	15/16	2 9/16	1 3/4	1/2	2000	205	4137	5853
6980320UP		1 1/4	2	15/16	2 9/16	1 3/4	1/2	2000	215	4137	5853
6980350UP		1 5/16	2 3/8	1 7/16	3 3/32	2	9/16	2300	225	4113	3196
6980360UP		1 3/8	2 3/8	1 7/16	3 3/32	2	9/16	2300	236	4113	3196
6980380UP		1 7/16	2 3/8	1 7/16	3 3/32	2	9/16	2300	246	4113	3196
6980400UP		1 1/2	2 3/8	1 7/16	3 3/32	2	9/16	2300	257	4113	3196
6980430UP		1 9/16	2 5/8	1 5/8	3 15/32	2 1/4	9/16	2800	291	4466	2777
6980440UP		1 5/8	2 5/8	1 5/8	3 15/32	2 1/4	9/16	2800	302	4466	2777
6980460UP		1 11/16	2 5/8	1 5/8	3 15/32	2 1/4	9/16	2800	314	4466	2777
6980480UP		1 3/4	2 5/8	1 5/8	3 15/32	2 1/4	9/16	2800	326	4466	2777
6980510UP		1 13/16	2 7/8	1 15/16	4 3/64	2 1/2	5/8	4900	531	7029	3347
6980520UP		1 7/8	2 7/8	1 15/16	4 3/64	2 1/2	5/8	4900	549	7029	3347
6980540UP		1 15/16	2 7/8	1 15/16	4 3/64	2 1/2	5/8	4900	567	7029	3347
6980560UP		2	2 7/8	1 15/16	4 3/64	2 1/2	5/8	4900	586	7029	3347

***IMPORTANT:** Please refer to page 9 and 10 to calculate your minimum hub diameter.

Consult factory for weights and availability.